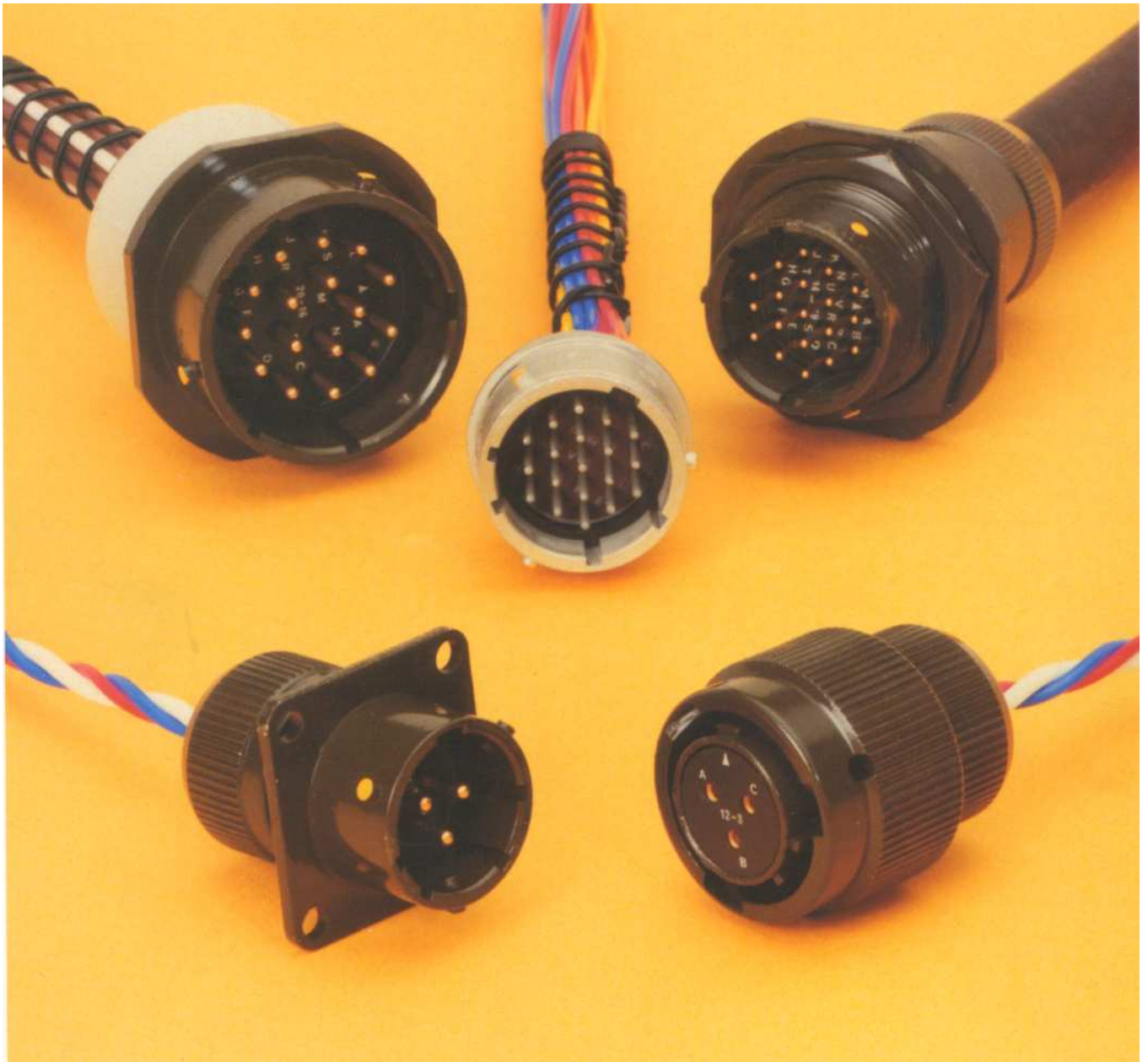


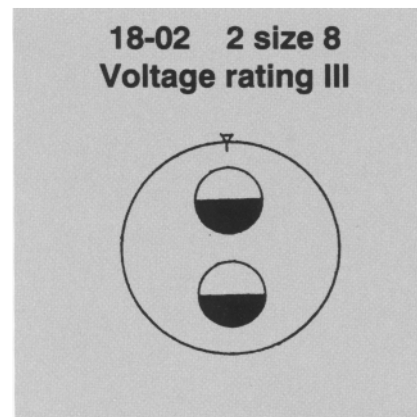
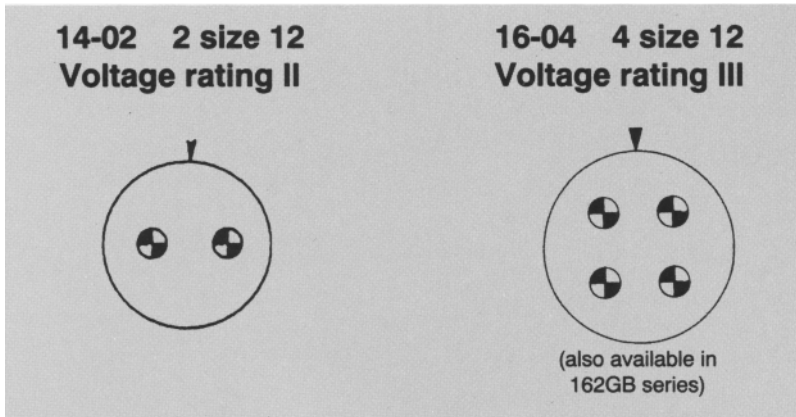
62GB- Series

Miniature Bayonet Lock Connectors
Designed to meet MIL-C-26482



Amphenol

62GB and Pattern 608 New Planforms



Current:

- (a) Maximum current per individual contact (in isolation)* at ambient temperature of 85°C
Contact size 12: 23 A
- (b) Maximum current per contact through all contacts simultaneously at an ambient temperature of 85°C
Contact size 12: 20 A

Current:

- (a) Maximum current per individual contact (in isolation)* at ambient temperature of 85°C
Contact size 8: 45 A
- (b) Maximum current per contact through all contacts simultaneously at an ambient temperature of 85°C
Contact size 8: 40 A

| | Sea level 1013 mbar † | | | 8500m (27,900ft) 320 mbar | | | 21,340m (70,000ft) 44 mbar | | |
|---|--------------------------|------|------|------------------------------|------|------|-------------------------------|-----|-----|
| | I | II | III | I | II | III | I | II | III |
| Voltage rating Working voltages ** (nominal) | 700 | 1200 | 1500 | 550 | 650 | 800 | 330 | 380 | 450 |
| d.c. or a.c. peak Voltage proof d.c. or a.c. peak | 2100 | 3000 | 3000 | 1100 | 1300 | 1300 | 660 | 760 | 750 |

* i.e. when only one contact per connector is electrically loaded.

† 1 mbar=10² N/m²=100 Pa

** Establishment of electrical safety factors is the responsibility of the user

| CONTENTS | Page |
|--|-------------|
| Amphenol 62GB Solder Connectors | 1 |
| Schedule of Tests | 2-3 |
| Connector Styles Available | 4-5 |
| Insert Availability | 6-7 |
| Ordering 62GB Series Connectors | 8-9 |
| Box Mounting Receptacles - Table of Styles | 10-11 |
| Box Mounting Receptacles | 12-16 |
| Single Hole Fixing Receptacles - Table of Styles | 17-19 |
| Single Hole Fixing Receptacles | 20-27 |
| Cable Mounting Receptacles - Table of Styles | 28 |
| Cable Mounting Receptacles | 29-31 |
| Plugs - Table of Styles | 32-33 |
| Plugs | 34-39 |
| Accessories - Table of Styles | 40-41 |
| Accessories | 42-48 |
| Cable Accessories - Table of Styles | 49-50 |
| Cable Accessories | 51-55 |
| Insert Orientations | 56 |
| Key/Keyway Orientations | 57 |
| Assembly Instructions | 58-61 |
| Wire Stripping | 62 |
| Torque Details | 62 |

Amphenol® 62GB solder connectors

This miniature bayonet lock connector series offers designers important features not found in any other range of connectors.

62GB Series connectors – compliant to the United States Military Specification MIL-C-26482E on certificate No. 1713. They are the first and only British connectors to have achieved this. A doubly strong position which Amphenol are well geared to handle. The manufacturing facilities of the Whitstable plant have been cited as exemplary in Europe. Certainly the layout is extensive and extremely efficient.

62GB Series connectors have been well established with Government authorities on an international scale and users can be found in Sweden, Denmark, Norway, Finland, Germany, Spain, Holland, India, Canada and Italy.

Derating

Connectors must be derated under the following operating conditions:

1. At elevated ambient temperatures, the current ratings are reduced so that total maximum hot spot temperature of 125°C is not exceeded.
2. At high altitudes, revised voltage ratings become effective as shown on page 7.
3. When connectors to different specifications are intermated, the combination must not be operated under conditions more severe than the less stringent clause of either specification.

Basic Construction

62GB Series can be supplied in brass or stainless steel.

The normal shell finish used, which has a high resistance to corrosion, is zinc cobalt olive drab. Other finishes may be supplied to special order, such as cadmium plate which is available by adding deviation (714) to the end of part number. For other finishes available, please see part number breakdown

Inserts are of polychloroprene rubber compounded to an Amphenol specification. Operating temperature range is -55°C to 125°C, and the connectors have gold-plated contacts designed for soldered connections. Configurations for size 20 contacts range between 2 contacts in the size 8 12.7mm (0.5in diameter) shell up to a maximum of 61 contacts in the size 2436.1 mm (1.5in diameter) shell. Intermediate sizes, and contact data for heavier current ratings are shown in the insert availability chart on page 6 and 7.

Hermetic connectors with glass sealed dielectric are manufactured with mild steel shells and nickel iron contacts plated tin over copper.

* Other finishes are available on request.

Protection Against Mis-Mating or Cross-Plugging

Positive shell-to-shell keying is provided with keys and keyways in a choice of either the normal (N) or any of the four preferred alternate positions: B, C, E and F. This prevents mismating between shells of different orientations and overcomes the difficulties associated with rotated inserts and a standard key-keyway orientation. In the latter system, damage to the inserts or contacts can result if excessive force is used to engage non-mating pairs.

Rotated inserts are available in positions w, x, y and z. These are to be requested via the part number configuration. See part number breakdown.

Schedule of Tests Required for Qualification Approval

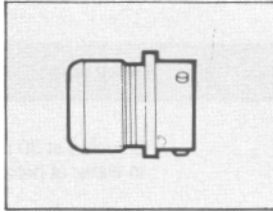
| Tests | Brief Description |
|---|--|
| Visual Examination | |
| Dimensions, outline mass(including contacts) Compatibility Gauging procedure | |
| Polarization | |
| Engaging and separating force, connector | Engagement max: 0,90 Nm (8.0 lbf.in.) to 4,97 Nm (44 lbf.in.) according to shell size. Separation min: 0,22 Nm (2.0 lbf.in.) to 1,58 Nm (14.0 lbf.in.) according to shell size. |
| Contact Holding Force | 0,21 N (0.047 lbf) min.size 20 0,56 N (0.126 lbf)min. size 16 |
| Sealing (air pressure) | Max leakage 28,53 uNm/s (1 cm3/h), 1 bar (14.5 p.s.i.) differential. |
| Sealing Hermetic | Hermetic receptacles have a max leak of 0.1 micron cubic foot per hour (1 x 10-6Cm3/s) |
| Contact Resistance | 5 milliohms max. |
| Housing (Shell) Continuity | 200 milliohms max. 5 milliohms max. grounding spring styles. Plating dependant. |
| Insulation Resistance | 5,000 Megaohms at 500 - 50 V d.c. |
| Voltage Proof | See page 7. Duration 1 minute |
| Soldering | As BS 9520: 1983, Clause 1.2.6.7, Method 2. Bit temperature of +350°C |
| Bumping | As BS 9520: 1983, Clause 1.2.6.2. 4,000 -10 bumps / 390m / s2 (40 gn). |
| Sine Vibration | As BS 9520: 1983, Clause 1.2.6.3. Procedure A. 10 Hz to 5000 Hz, 0.75 mm / 10 gn. |
| Shock | As BS 9520: 1983, Clause 1.2.6.4. 981 m/s2 (100 g n). |
| Acceleration (Steady State) | As BS 9520: 1983, Clause 1.2.6.5. 490 m/s2 (50 gn). |
| Rapid Change of Temperature | As BS 9520: 1983, Clause 1.2.6.8. -55°C to +125°C one hour at each temperature = 1 cycle. 5 cycles to be completed |
| Climatic Sequence | As BS 9520: 1983, Clause 1.2.6.12. Severity 55/125/56. |
| Flammability | As BS 9520: 1983, Clause 1.2.6.9. Direct flame applied, duration 1 minute. |
| Damp Heat (Steady State) | As BS 9520: 1983, Clause 1.2.6.15. Severity 56 days. |

Schedules of Tests Required for Qualification Approval

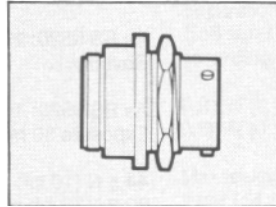
| Tests | Brief Description |
|--|--|
| Immersion (at low air pressure) | 3 cycles at 30 mins each cycle, total immersion in water at pressure 44 m bar. |
| Mechanical Endurance | 500 operations minimum |
| High Temperature Endurance | Long term: 1,000 hrs. at 850 C ambient carrying the specified current. Short term: 250 hrs at 1250 C, no current. |
| Mould Growth | As BS 9520: 1983, Clause 1.2.6.15. 28 days duration. |
| Salt Mist (plating dependant) | As BS 9520: 1983, Clause 1.2.6.17. Severity 1. Four spray periods of 2 hours with a humidity storage period of seven days after each |
| Dust | As BS 9520: 1983, Clause 1.2.6.18. Exposure 30 minutes. |
| Robustness of Terminations | 44,5 N (101bf) size 16 22,2 N (5 lbf) size 20 |
| Contact Retention (in insert) | 67,0 N (15 lbf) min. size 20 112,0 N (25 lbf) min. size 16 and above |
| Insert Retention (in shell) | 517 KN1m2 (751bf/in 2 min. |
| Test Prod Damage | Moment: 0,056 Nm (0.5 lbf in) size 20 0,225 Nm (2 lbf in) size 16 |
| Impact | Five impacts, drop height 1 m (3ft.3 in.). |
| Grounding Spring Holding Force Plugs with grounding springs only. | 1,17 N (0.263 lbf) to 2,74 N (0.616 lbf) according to size. |
| Fluid Resistance | Immersion in 4 solvents and 9 fluids including aircraft fuels, lubricating oils and hydraulic fluids. |
| Compass Safe Distance | As BS 9520: 1983, Clause 1.2.5.12. 127 mm (5.0 in) min. |

Connector Styles Available

Receptacles

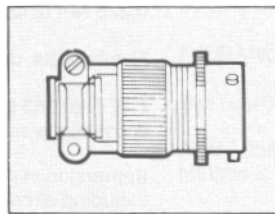
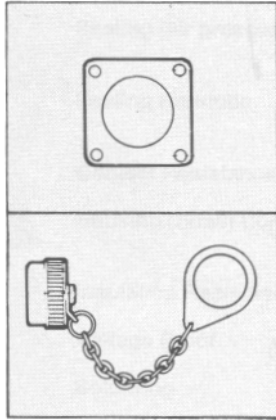


Box Mounting
See Pages 10-16

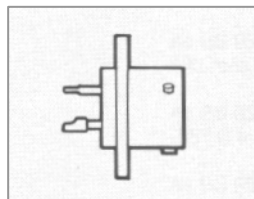


Single Hole Mounting
See Pages 17-27

Accessories
See Pages 40-55



Cable Mounting
See Pages 28-31

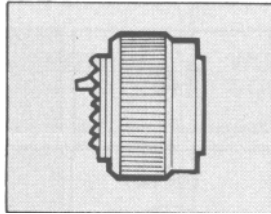


Hermetic Seal
See Pages 16 & 23

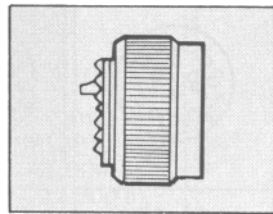


Connector Styles Available

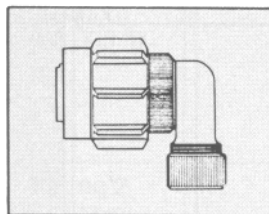
Plugs



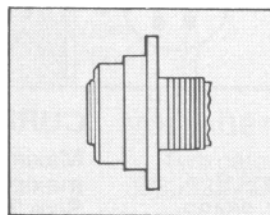
Straight Plug
See Pages 34-37



Grounded Plug
See Page 34



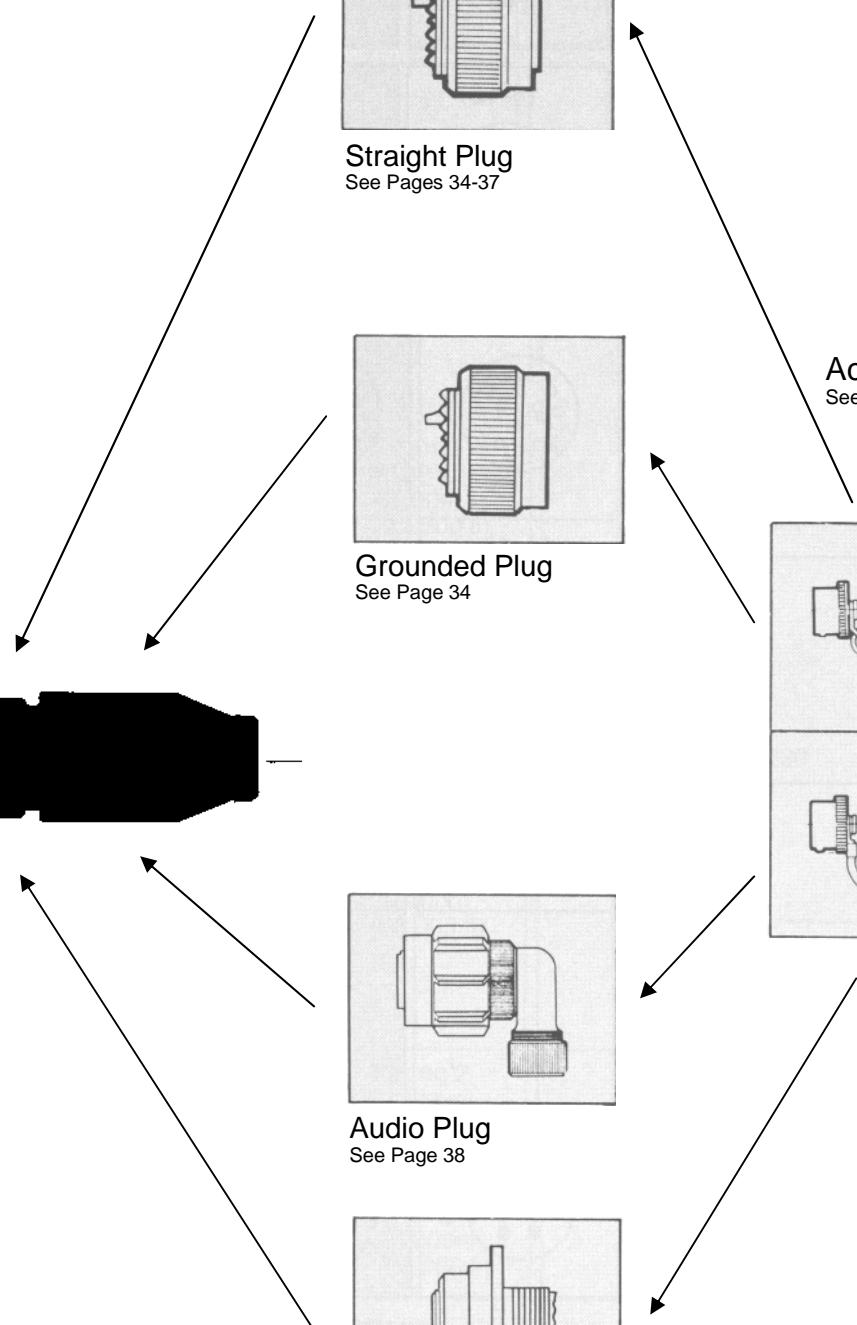
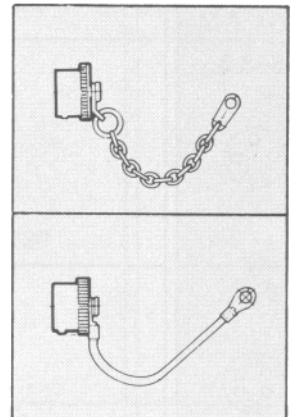
Audio Plug
See Page 38









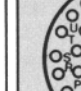
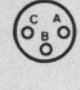



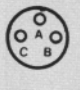

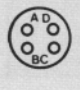
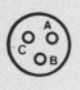






Push on - Pull off
See Page 39

Accessories

See Pages 40-55



Insert Availability

| 8 | 10 | 12 | 14 | 16 | 18 | 20 |
|--|--|--|--|--|---|---|
| 8-2*  | 10-6  | 12-10  | 14-12†  | 16-23*  | 18-32  | 20-41  |
| 8-3*  | 10-7  | | 14-15  | 16-26  | | |
| 8-3 3  | | | 14-19  | | | |
| 8-4*  | | | | | | |
| 8-98  | 10-2  | 12-3  | 14-5  | 16-8  | 18-11  | 20-16  |

NOTES

- * This insert arrangement is not included in B.S. spec., but is available and listed in MIL-C-26482.
- † Due to the arrangement of contacts in the 14-12 insert arrangement it is classified, for current derating, in the shell size range 18-24.

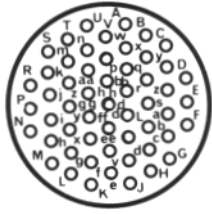
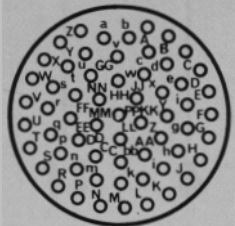
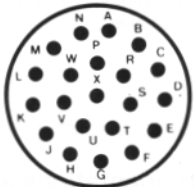
Lettering of inserts shown above corresponds to view of front (mating surface of pin inserts or rear face (cable accessory end) of socket inserts.

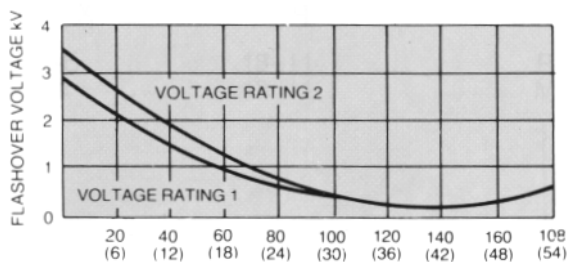
KEY ● No 16 size contacts
○ No 20 size contacts

CURRENT RATING

Maximum current per individual contact (in isolation) at a maximum ambient temperature of 85°C: Size 20 contact 7.5A Size 16 contact 13A The performance of 62GB Series connectors at all times exceeds the maximum continuous bunched rating of the appropriate size wire, or cable of equivalent temperature rating. This bunched rating is therefore the determining factor. In the case of mixed loadings, the greatest individual load shall be the bunched loading. In any combination of ambient temperature plus temperature rise due to current flow through the contacts, the maximum connector internal hot spot temperature of 125°C must not be exceeded. That is, when only one contact per connector is loaded.

Insert Availability

| | | VOLTAGE RATINGS | | | |
|--|---|--|----------------------|-----------------------------|---------------------------------|
| 22 | 24 | ALTITUDE | D.C. WORKING VOLTAGE | A.C. WORKING VOLTAGE R.M.S. | PROOF VOLTAGE D.C. OR A.C. PEAK |
| <p>22-55</p>  | <p>24-61</p>  | <p>Rating 1 Sea level</p> <p>300 mb at 20°C 8,500m (27,800 ft)</p> <p>44 mb at 20°C 20,000m (66,000 ft)</p> | 700 | 500 | 2100 |
| <p>22-21</p>  <p>† Available to special order only</p> | | <p>Rating 2 Sea level 300 mb at 20°C 8,500m (27,800 ft) 44 mb at 20°C 20,000m (66,000 ft)</p> | 120 | 850 | 3000 |
| | | | 650 | 460 | 1300 |
| | | | 380 | 270 | 760 |



ALTITUDE-THOUSANDS OF FEET (METRES)
Relationship between flashover voltage and altitude for each voltage rating

VOLTAGE RATINGS

Two categories of voltage rating are specified in BS9522 F0017, F0038 and N0001.

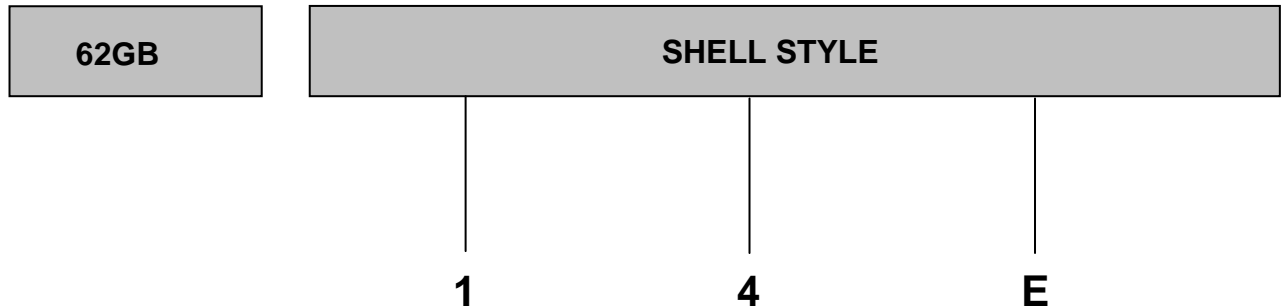
Rating 1 (700V d.c. working at sea-level) Applicable to the high contact density inserts shown in the upper section of the insert availability diagram above.

Rating 2 (1200V d.c. working at sea-level) Applicable to the inserts shown in the lower section of the insert availability diagram.

Altitude derating. Information on voltage derating for operation at altitudes above sea-level can be obtained from the flashover voltage altitude curves on the left.

Ordering 62GB Series Connectors

To obtain the specific connector required write down the connector number from the typical example below. Only inserts shown in the availability chart on p. 10&11 can be specified. All connectors are delivered with protective dust covers



Series designation

62ZN – Zinc Nickel finish
62 GB - Aluminium shell
 62 GB SS -Stainless steel shell*
 62 GB CU - Brass shell*
 *consult factory for availability
 62GB-XXH-Hermetic mild steel shell.

Specification key

1 - Styles originally specified in MIL-C-26482
 5 - Styles exclusive to BS9522 F0017

Shell style

0 - Receptacle wall mounting
 1 - Receptacle cable mounting
 2 - Receptacle box mounting
 3 - Receptacle, solder flange mounting
 4 - Receptacle, internally threaded with cable accessories as illustrated, for single hole mounting
 6 - Plug cable mounting
 7- Receptacle, plain shell, single hole mounting

Environmental code

A - Plain shell, exposed solder buckets. No grommet
 E - Insert seal and grommet seal with grommet nut (excluding 12E which has plain shell and no grommet or nut)
 F - As (E) but grommet nut has integral strain relief clamp
 H - Hermetic seal no cable accessories
 J - As (E) but with resilient gland seal and nut for unscreened jacketed cable. No grommet supplied. See pp. 26-27 for accessory to accept screened jacketed cable.
 P - Potting construction complete with potting mould
 T - Exposed solder buckets. Threaded shell for cable accessories

HOW TO ORDER FROM MS CONNECTOR NUMBERS

Connector numbers in the AMPHENOL and MS numbering systems. Only alternative insert orientations are specified in MIL-C-26482 which does not include alternative key/keyway orientations.

| | | | | | | |
|------|---|----|---|--------|---|---|
| MS31 | - | 14 | E | 18 -11 | P | X |
| 62GB | - | 14 | E | 18 -11 | P | X |

Ordering 62GB Series Connectors

INSERT ARRANGEMENT

18

11

P

B

(044)

Shell size (in sixteenths of an inch) 8, 10, 12, 14, 16
18,20,22,24

Number of contacts
2, 3, 4, 5, 6, 7, 8, 10, 11, 12,
16, 19, 21, 23, 26, 32, 41, 55,
61
* consult factory for availability

Contact Style
P - Pins
S - Sockets For hermetic connectors. P3 denotes pin contacts with solder bucket terminations. (Standard range). P2 denotes pin contacts with flattened and pierced terminations. (Special order).

Orientation
(Omit if normal orientation)
Keys/Keyways: A', B, C, D', E, F, (see p. 31)
Inserts: W,X,Y,Z.(see p56/57)
*Inactive for new designs

Deviations
(044) Rough grip heavy duty coupling ring.
(046) Box mounting plug.
(214) Fitted with extension back shell and strain relief clamp without grommet on F types only
(218) Lever coupling ring
(219) Contacts for flexible punted wrung (57A and 12E only)
(639) Bright cadmium plated shells
(345) Contacts for flexible punted wiring 12H,13H 17H only
(276) Hermetics with gold plated contacts.
(608) Black anodise.
(416) Electroless nickel
(714) Cadmium plate olive drab

62GB - 14E
C2098

18-11
18 11

P
M

B
B

O

Style

Insert Arrangement, see above

M - Pin contacts
F - Socket contacts

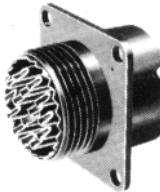


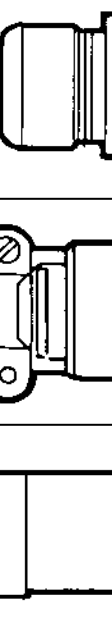



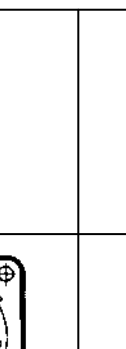

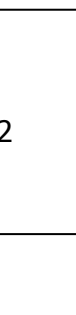
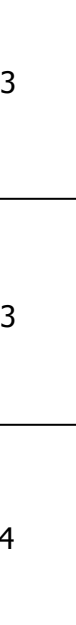
Alternative Key/Key way Orientation

Variant.
0 - Standard connector

Box Mounting Receptacles

Table of Styles

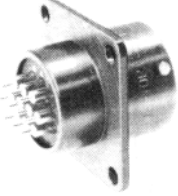
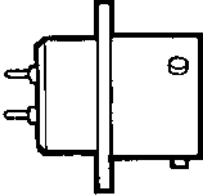
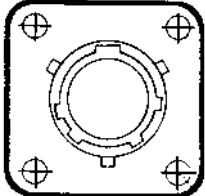
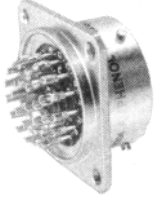
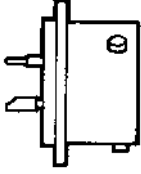
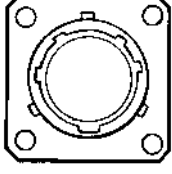
Page No.

| | | | |
|----------|---|---|----|
| 62GB-50T |  |  | 12 |
| 62GB-10A |  |  | 12 |
| 62GB-10E |  |  | 13 |
| 62GB-10F |  |  | 13 |
| 62GB-10J |  |  | 14 |
| 62GB-10P |  |  | 14 |
| 62GB-12E |  |  | 15 |

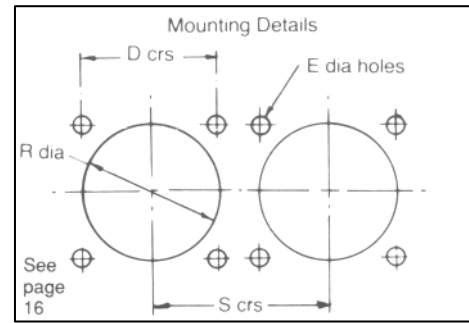
Box Mounting Receptacles

Table of Styles

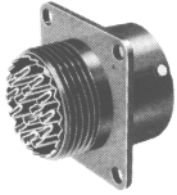
Page No.

| | | | | |
|-----------------------------------|---|--|---|-----------|
| <p>62GB-12E(219)</p> |  |  |  | <p>15</p> |
| <p>62GB-12H Hermetic Seal</p> |  |  |  | <p>16</p> |

Box Mounting Receptacles

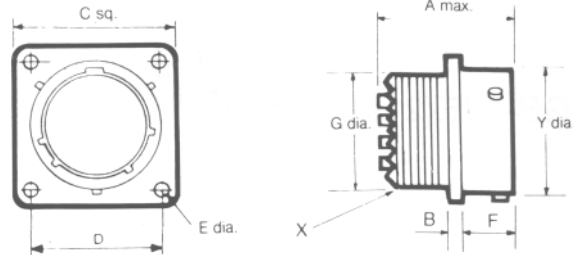


50T



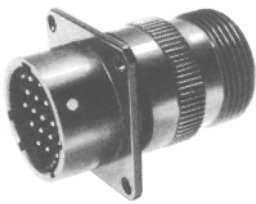
62GB-50T

4-hole flange mounting with threaded shell to accept standard cable accessories.



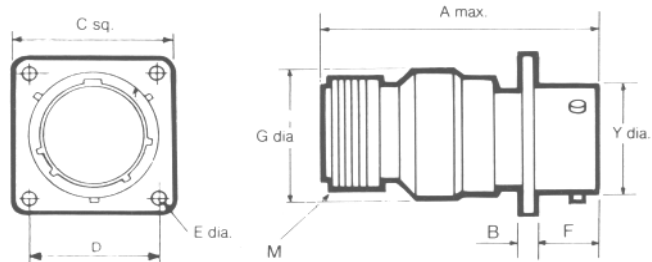
| Shell Size | A max | B ± 0.005 (± 0.13) | C max sq. | D TP Sq. | E dia. ± 0.010 (± 0.254) | F ± 0.005 (± 0.13) | G dia max. | Y dia. max. | X Thread |
|------------|-------|--------------------|-----------|----------|--------------------------|--------------------|------------|-------------|-----------------|
| 08 | 0.978 | 0.062 | 0.817 | 0.594 | 0.120 | 0.445 | 0.434 | 0.473 | 7/16 - 28 UNEF |
| | 24.84 | 1.58 | 20.75 | 15.09 | 3.05 | 11.3 | 11.02 | 12.02 | |
| 10 | 0.978 | 0.062 | 0.942 | 0.719 | 0.120 | 0.445 | 0.558 | 0.590 | 9/16 - 24 NEF |
| | 24.84 | 1.58 | 23.93 | 18.26 | 3.05 | 11.3 | 14.17 | 14.99 | |
| 12 | 0.978 | 0.062 | 1.036 | 0.812 | 0.120 | 0.445 | 0.683 | 0.750 | 11/16 - 24 NEF |
| | 24.84 | 1.58 | 26.32 | 20.63 | 3.05 | 11.3 | 17.35 | 19.05 | |
| 14 | 0.978 | 0.062 | 1.130 | 0.906 | 0.120 | 0.445 | 0.808 | 0.875 | 13/16 - 20 UNEF |
| | 24.84 | 1.58 | 28.70 | 23.10 | 3.05 | 11.3 | 20.52 | 22.23 | |
| 16 | 0.978 | 0.062 | 1.223 | 0.969 | 0.120 | 0.445 | 0.933 | 1.000 | 15/16 - 20 UNEF |
| | 24.84 | 1.58 | 31.07 | 24.61 | 3.05 | 11.3 | 23.7 | 25.4 | |
| 18 | 0.978 | 0.062 | 1.317 | 1.062 | 0.120 | 0.445 | 1.057 | 1.125 | 1.1/16 - 18 NEF |
| | 24.84 | 1.58 | 33.45 | 26.58 | 3.05 | 11.3 | 26.85 | 28.58 | |
| 20 | 1.048 | 0.080 | 1.442 | 1.156 | 0.120 | 0.555 | 1.182 | 1.250 | 1.3/16 - 18 NEF |
| | 26.62 | 2.03 | 36.63 | 29.36 | 3.05 | 14.10 | 30.02 | 31.75 | |
| 22 | 1.048 | 0.080 | 1.567 | 1.250 | 0.120 | 0.555 | 1.307 | 1.375 | 1.5/16 - 18 NEF |
| | 26.62 | 2.03 | 39.80 | 31.75 | 3.05 | 14.10 | 33.20 | 34.93 | |
| 24 | 1.048 | 0.080 | 1.692 | 1.375 | 0.147 | 0.590 | 1.432 | 1.500 | 1.7/16 - 18 NEF |
| | 26.62 | 2.03 | 42.98 | 34.93 | 3.73 | 14.99 | 36.37 | 38.1 | |

10A



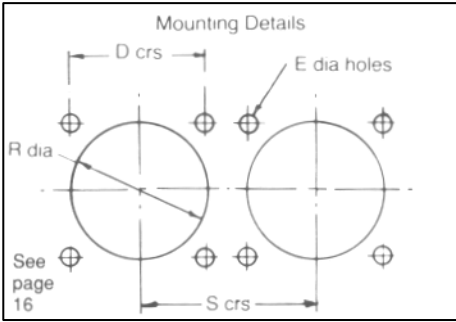
62GB-10A

4-Hole flange mounting with general duty back shell. No grommet supplied.



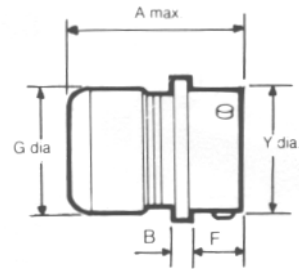
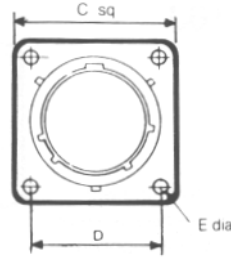
| Shell Size | A max. | B ± 0.005 (± 0.13) | C Max. sq. | D TP sq. | E ± 0.010 (± 0.254) | F ± 0.005 (± 0.13) | G dia max. | Y dia. max. | M |
|------------|--------|--------------------|------------|----------|---------------------|--------------------|------------|-------------|-----------------|
| 08 | 1.624 | 0.062 | 0.817 | 0.594 | 0.120 | 0.445 | 0.561 | 0.473 | 1/2 - 28 UNEF |
| | 41.25 | 1.58 | 20.75 | 15.09 | 3.05 | 11.3 | 14.25 | 12.02 | |
| 10 | 1.624 | 0.062 | 0.942 | 0.719 | 0.120 | 0.445 | 0.686 | 0.590 | 5/8 - 24 NEF |
| | 41.25 | 1.58 | 23.93 | 18.26 | 3.05 | 11.3 | 17.43 | 14.99 | |
| 12 | 1.624 | 0.062 | 1.036 | 0.812 | 0.120 | 0.445 | 0.811 | 0.750 | 3/4 - 20 UNEF |
| | 41.25 | 1.58 | 26.32 | 20.63 | 3.05 | 11.3 | 20.60 | 19.05 | |
| 14 | 1.624 | 0.062 | 1.130 | 0.906 | 0.120 | 0.445 | 0.936 | 0.875 | 7/8 - 20 UNEF |
| | 41.25 | 1.58 | 28.70 | 23.10 | 3.05 | 11.3 | 23.78 | 22.23 | |
| 16 | 1.624 | 0.062 | 1.223 | 0.969 | 0.120 | 0.445 | 1.061 | 1.000 | 1 - 20 UNEF |
| | 41.25 | 1.58 | 31.07 | 24.61 | 3.05 | 11.3 | 26.98 | 25.4 | |
| 18 | 1.624 | 0.062 | 1.317 | 1.062 | 0.120 | 0.445 | 1.186 | 1.125 | 1.3/16 - 18 NEF |
| | 41.25 | 1.58 | 33.45 | 26.58 | 3.05 | 11.3 | 30.12 | 28.58 | |
| 20 | 1.687 | 0.080 | 1.442 | 1.156 | 0.120 | 0.555 | 1.311 | 1.250 | 1.3/16 - 18 NEF |
| | 42.85 | 2.03 | 36.63 | 29.36 | 3.05 | 14.10 | 33.30 | 31.75 | |
| 22 | 1.687 | 0.080 | 1.567 | 1.250 | 0.120 | 0.555 | 1.436 | 1.375 | 1.7/16 - 18 NEF |
| | 42.85 | 2.03 | 39.80 | 31.75 | 3.05 | 14.10 | 36.47 | 34.93 | |
| 24 | 1.730 | 0.080 | 1.692 | 1.375 | 0.147 | 0.590 | 1.561 | 1.500 | 1.7/16 - 18 NEF |
| | 43.94 | 2.03 | 42.98 | 34.93 | 3.73 | 14.99 | 39.65 | 38.1 | |

Box Mounting Receptacles



62GB-10E
MIL-C-26482 MS3110E

4-hole flange mounting with grommet and grommet nut

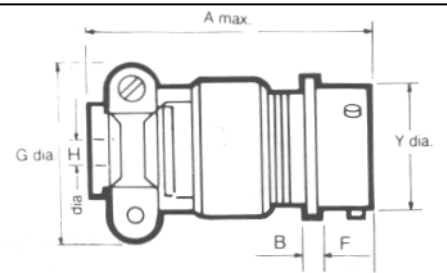
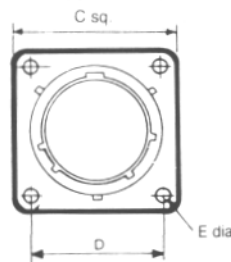


| Shell Size | A max | B ± 0.005 (± 0.13) | C max sq. | D TP sq. | E ± 0.010 (± 0.254) | F ± 0.005 (± 0.13) | G dia max | V dia. max |
|------------|-------|--------------------|-----------|----------|---------------------|--------------------|-----------|------------|
| 08 | 1.281 | 0.062 | 0.817 | 0.594 | 0.120 | 0.445 | 0.561 | 0.473 |
| | 32.54 | 1.58 | 20.75 | 15.09 | 3.05 | 11.3 | 14.25 | 12.02 |
| 10 | 1.281 | 0.062 | 0.942 | 0.719 | 0.120 | 0.445 | 0.686 | 0.590 |
| | 32.54 | 1.58 | 23.93 | 18.26 | 3.05 | 11.3 | 17.43 | 14.99 |
| 12 | 1.281 | 0.062 | 1.036 | 0.812 | 0.120 | 0.445 | 0.811 | 0.750 |
| | 32.54 | 1.58 | 26.32 | 20.63 | 3.05 | 11.3 | 20.60 | 19.05 |
| 14 | 1.281 | 0.062 | 1.130 | 0.906 | 0.120 | 0.445 | 0.936 | 0.875 |
| | 32.54 | 1.58 | 28.70 | 23.10 | 3.05 | 11.3 | 23.78 | 22.23 |
| 16 | 1.281 | 0.062 | 1.223 | 0.969 | 0.120 | 0.445 | 1.061 | 1.000 |
| | 32.54 | 1.58 | 31.07 | 24.61 | 3.05 | 11.3 | 26.98 | 25.4 |
| 18 | 1.281 | 0.062 | 1.317 | 1.062 | 0.120 | 0.445 | 1.186 | 1.125 |
| | 32.54 | 1.58 | 33.45 | 26.58 | 3.05 | 11.3 | 30.12 | 28.58 |
| 20 | 1.383 | 0.080 | 1.442 | 1.156 | 0.120 | 0.555 | 1.311 | 1.250 |
| | 35.13 | 2.03 | 36.63 | 29.36 | 3.05 | 14.10 | 33.30 | 31.75 |
| 22 | 1.383 | 0.080 | 1.567 | 1.250 | 0.120 | 0.555 | 1.436 | 1.375 |
| | 35.13 | 2.03 | 39.80 | 31.75 | 3.05 | 14.10 | 36.47 | 34.93 |
| 24 | 1.383 | 0.080 | 1.692 | 1.375 | 0.147 | 0.590 | 1.561 | 1.500 |
| | 35.13 | 2.03 | 42.98 | 34.93 | 3.74 | 14.99 | 39.65 | 38.1 |



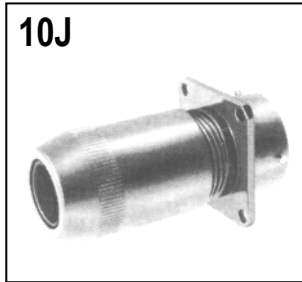
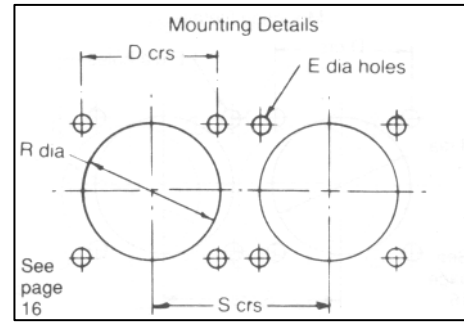
62GB-10F
MIL-C-26482 MS31 10F

4-hole flange mounting with grommet and grommet nut fitted with integral strain relief clamp



| Shell Size | A max. | B ± 0.005 (± 0.13) | C max sq. | D TP Sq. | E ± 0.010 (± 0.254) | F ± 0.005 (± 0.13) | G dia max. | H ± 0.005 (± 0.13) | Y dia. max. |
|------------|--------|--------------------|-----------|----------|---------------------|--------------------|------------|--------------------|-------------|
| 08 | 1.762 | 0.062 | 0.817 | 0.594 | 0.120 | 0.445 | 0.828 | 0.156 | 0.473 |
| | 44.76 | 1.58 | 20.75 | 15.09 | 3.05 | 11.3 | 21.03 | 3.96 | 12.01 |
| 10 | 1.762 | 0.062 | 0.942 | 0.719 | 0.120 | 0.445 | 0.891 | 0.188 | 0.590 |
| | 44.76 | 1.58 | 23.92 | 18.26 | 3.05 | 11.3 | 22.63 | 4.78 | 14.99 |
| 12 | 1.762 | 0.062 | 1.036 | 0.812 | 0.120 | 0.445 | 1.016 | 0.312 | 0.750 |
| | 44.76 | 1.58 | 26.31 | 20.63 | 3.05 | 11.3 | 25.81 | 7.93 | 19.05 |
| 14 | 1.736 | 0.062 | 1.130 | 0.906 | 0.120 | 0.445 | 1.141 | 0.375 | 0.875 |
| | 44.10 | 1.58 | 28.70 | 23.10 | 3.05 | 11.3 | 28.98 | 9.58 | 22.23 |
| 16 | 1.876 | 0.062 | 1.223 | 0.969 | 0.120 | 0.445 | 1.203 | 0.500 | 1.000 |
| | 47.65 | 1.57 | 31.07 | 24.61 | 3.05 | 11.3 | 30.56 | 12.7 | 25.4 |
| 18 | 1.876 | 0.062 | 1.317 | 1.062 | 0.120 | 0.445 | 1.426 | 0.625 | 1.125 |
| | 47.65 | 1.58 | 33.45 | 26.58 | 3.05 | 11.3 | 36.22 | 15.87 | 28.58 |
| 20 | 2.118 | 0.080 | 1.442 | 1.156 | 0.120 | 0.555 | 1.426 | 0.625 | 1.250 |
| | 53.80 | 2.03 | 36.63 | 29.36 | 3.05 | 14.10 | 36.22 | 15.88 | 31.75 |
| 22 | 2.118 | 0.080 | 1.567 | 1.250 | 0.120 | 0.555 | 1.567 | 0.750 | 1.375 |
| | 53.80 | 2.03 | 39.80 | 31.75 | 3.05 | 14.10 | 39.80 | 19.05 | 34.93 |
| 24 | 2.250 | 0.080 | 1.692 | 1.375 | 1.147 | 0.590 | 1.735 | 0.800 | 1.500 |
| | 57.15 | 2.03 | 42.98 | 34.93 | 3.74 | 14.99 | 44.07 | 20.32 | 38.10 |

Box Mounting Receptacles

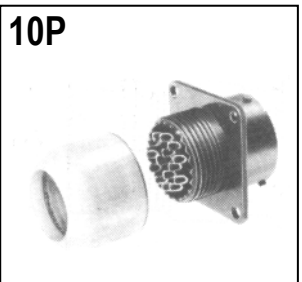


10J

62GB-10J

4-hole flange mounting with clamp for unscreened jacketed cable. No grommet supplied

| Shell Size | A max | B ± 0.005 (± 0.13) | c max.sq | D TP sq | E ± 0.010 (± 0.254) | F ± 0.005 (± 0.13) | G dia. max. | Y dia max | Z Cable Entry | |
|------------|-------|--------------------|----------|---------|---------------------|--------------------|-------------|-----------|---------------|----------|
| | | | | | | | | | min closed | max free |
| 08 | 1.846 | 0.062 | 0.817 | 0.594 | 0.120 | 0.445 | 0.561 | 0.473 | 0.168 | 0.230 |
| | 46.89 | 1.58 | 20.75 | 15.09 | 3.05 | 11.3 | 14.25 | 12.02 | 4.28 | 5.84 |
| 10 | 1.846 | 0.062 | 0.942 | 0.719 | 0.120 | 0.445 | 0.686 | 0.590 | 0.205 | 0.312 |
| | 46.89 | 1.58 | 23.93 | 18.26 | 3.05 | 11.3 | 17.43 | 14.99 | 5.21 | 7.93 |
| 12 | 1.947 | 0.062 | 1.036 | 0.812 | 0.120 | 0.445 | 0.811 | 0.750 | 0.338 | 0.442 |
| | 49.45 | 1.58 | 26.32 | 20.63 | 3.05 | 11.3 | 20.60 | 19.05 | 8.59 | 11.23 |
| 14 | 2.147 | 0.062 | 1.130 | 0.906 | 0.120 | 0.445 | 0.936 | 0.875 | 0.416 | 0.539 |
| | 54.54 | 1.58 | 28.70 | 23.10 | 3.05 | 11.3 | 23.78 | 22.23 | 10.57 | 13.69 |
| 16 | 2.347 | 0.062 | 1.223 | 0.969 | 0.120 | 0.445 | 1.061 | 1.000 | 0.550 | 0.616 |
| | 59.61 | 1.575 | 31.07 | 24.61 | 3.05 | 11.3 | 26.96 | 25.4 | 13.97 | 15.65 |
| 18 | 2.547 | 0.062 | 1.317 | 1.062 | 0.120 | 0.445 | 1.186 | 1.125 | 0.600 | 0.672 |
| | 64.70 | 1.575 | 33.45 | 26.58 | 3.05 | 11.3 | 30.12 | 28.58 | 15.24 | 17.07 |
| 20 | 2.831 | 0.080 | 1.442 | 1.156 | 0.120 | 0.555 | 1.311 | 1.250 | 0.635 | 0.747 |
| | 71.91 | 2.03 | 36.63 | 29.36 | 3.05 | 14.10 | 33.30 | 31.75 | 16.13 | 18.98 |
| 22 | 3.031 | 0.080 | 1.567 | 1.250 | 0.120 | 0.555 | 1.436 | 1.375 | 0.670 | 0.846 |
| | 76.99 | 2.03 | 39.80 | 31.75 | 3.05 | 14.10 | 36.47 | 34.93 | 17.02 | 21.49 |
| 24 | 3.074 | 0.080 | 1.692 | 1.375 | 0.147 | 0.590 | 1.561 | 1.500 | 0.740 | 0.894 |
| | 78.08 | 2.03 | 42.98 | 34.93 | 3.73 | 14.99 | 39.65 | 38.1 | 18.80 | 22.71 |



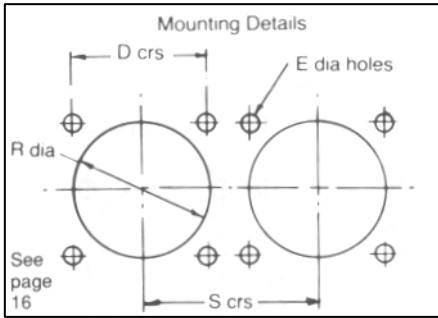
10P

62GB-10P

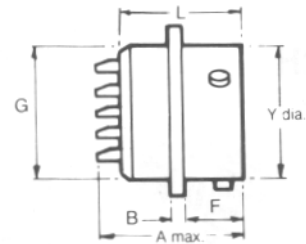
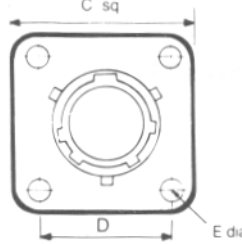
4-hole flange mounting for potting

| Shell Size | A max | B ± 0.005 (± 0.13) | c max.sq. | D TP sq | E ± 0.010 (± 0.254) | F ± 0.005 (± 0.13) | G dia. max. | Y dia. max | Z dia. min |
|------------|-------|--------------------|-----------|---------|---------------------|--------------------|-------------|------------|------------|
| | | | | | | | | | 08 |
| | 36.91 | 1.575 | 20.75 | 15.09 | 3.05 | 11.3 | 14.53 | 12.02 | 6.60 |
| 10 | 1.453 | 0.062 | 0.942 | 0.179 | 0.120 | 0.445 | 0.666 | 0.590 | 0.463 |
| | 36.91 | 1.58 | 23.93 | 18.26 | 3.05 | 11.3 | 16.92 | 14.99 | 11.76 |
| 12 | 1.453 | 0.062 | 1.036 | 0.812 | 0.120 | 0.445 | 0.822 | 0.750 | 0.577 |
| | 36.91 | 1.58 | 26.32 | 20.63 | 3.05 | 11.3 | 20.88 | 19.05 | 14.15 |
| 14 | 1.453 | 0.062 | 1.130 | 0.906 | 0.120 | 0.445 | 0.907 | 0.875 | 0.590 |
| | 36.91 | 1.58 | 28.70 | 23.10 | 3.05 | 11.3 | 23.04 | 22.23 | 14.99 |
| 16 | 1.453 | 0.062 | 1.223 | 0.969 | 0.120 | 0.445 | 1.040 | 1.000 | 0.713 |
| | 36.91 | 1.58 | 31.07 | 24.61 | 3.05 | 11.3 | 26.42 | 25.40 | 18.11 |
| 18 | 1.453 | 0.062 | 1.317 | 1.062 | 0.120 | 0.445 | 1.165 | 1.125 | 0.835 |
| | 36.91 | 1.58 | 33.45 | 26.58 | 3.05 | 11.3 | 29.60 | 28.58 | 22.21 |
| 20 | 1.672 | 0.080 | 1.442 | 1.156 | 0.120 | 0.555 | 1.285 | 1.250 | 1.015 |
| | 42.47 | 2.03 | 36.63 | 29.36 | 3.05 | 14.10 | 32.64 | 31.75 | 25.78 |
| 22 | 1.672 | 0.080 | 1.567 | 1.250 | 0.120 | 0.555 | 1.400 | 1.375 | 1.015 |
| | 42.47 | 2.03 | 39.80 | 31.75 | 3.05 | 14.10 | 35.56 | 34.93 | 25.78 |
| 24 | 1.734 | 0.080 | 1.692 | 1.375 | 0.147 | 0.590 | 1.540 | 1.500 | 1.265 |
| | 44.05 | 2.03 | 42.98 | 34.93 | 3.74 | 14.99 | 39.12 | 38.10 | 32.13 |

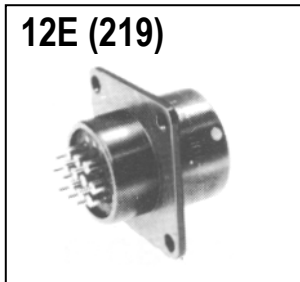
Box Mounting Receptacles



62GB-12E
MIL-C-26482 MS3112E

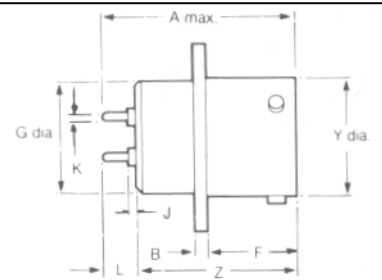
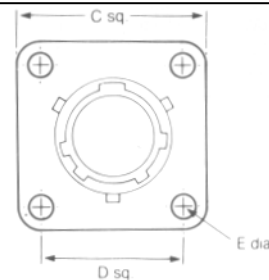


| Shell Size | A max | 8 ± 0.005 (± 0.13) | C max sq. | D TP sq. | E ± 0.010 (± 0.254) | F ± 0.005 (± 0.13) | G dia. max. | L | V dia. max. |
|------------|-------|--------------------|-----------|----------|---------------------|--------------------|-------------|-------|-------------|
| 08 | 0.978 | 0.062 | 0.817 | 0.594 | 0.120 | 0.445 | 0.434 | 0.800 | 0.473 |
| | 24.84 | 1.58 | 20.75 | 15.09 | 3.05 | 11.3 | 11.02 | 20.32 | 12.02 |
| 10 | 0.978 | 0.062 | 0.942 | 0.719 | 0.120 | 0.445 | 0.558 | 0.800 | 0.590 |
| | 24.84 | 1.58 | 23.93 | 18.26 | 3.05 | 11.3 | 14.17 | 20.32 | 14.99 |
| 12 | 0.978 | 0.062 | 1.036 | 0.812 | 0.120 | 0.445 | 0.683 | 0.800 | 0.750 |
| | 24.84 | 1.58 | 26.32 | 20.63 | 3.05 | 11.3 | 17.35 | 20.32 | 19.05 |
| 14 | 0.978 | 0.062 | 1.130 | 0.906 | 0.120 | 0.445 | 0.808 | 0.800 | 0.875 |
| | 24.84 | 1.58 | 28.70 | 23.10 | 3.05 | 11.3 | 20.52 | 20.32 | 22.23 |
| 16 | 0.978 | 0.062 | 1.223 | 0.969 | 0.120 | 0.445 | 0.933 | 0.800 | 1.000 |
| | 24.84 | 1.58 | 31.07 | 24.61 | 3.05 | 11.3 | 23.70 | 20.32 | 25.4 |
| 18 | 0.978 | 0.062 | 1.317 | 1.062 | 0.120 | 0.445 | 1.057 | 0.800 | 1.125 |
| | 24.84 | 1.58 | 33.45 | 26.58 | 3.05 | 11.3 | 26.85 | 20.32 | 28.58 |
| 20 | 1.048 | 0.080 | 1.442 | 1.156 | 0.120 | 0.555 | 1.182 | 0.875 | 1.250 |
| | 26.62 | 2.03 | 36.63 | 29.36 | 3.05 | 14.10 | 30.02 | 22.23 | 31.75 |
| 22 | 1.048 | 0.080 | 1.567 | 1.250 | 0.120 | 0.555 | 1.307 | 0.875 | 1.375 |
| | 26.62 | 2.03 | 39.80 | 31.75 | 3.05 | 14.10 | 33.20 | 22.23 | 34.93 |
| 24 | 1.048 | 0.080 | 1.692 | 1.375 | 0.147 | 0.590 | 1.432 | 0.875 | 1.500 |
| | 26.62 | 2.03 | 42.98 | 34.93 | 3.74 | 14.99 | 36.37 | 22.23 | 38.1 |



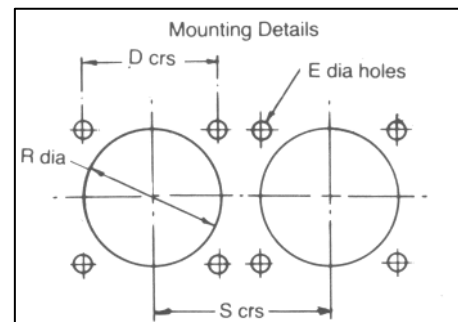
62GB-12E (219)

4-hole flange mounting with plain shell with film wire terminations



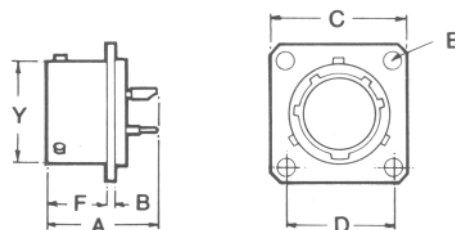
| Shell Size | A max | B ± 0.005 (± 0.13) | C max sq. | D TP sq. | E dia 0.010 | F ± 0.005 (± 0.13) | G dia. Max | J ± 0.020 (± 0.51) | K min max. | L max min | Y dia max. | Z |
|------------|-------|--------------------|-----------|----------|-------------|--------------------|------------|--------------------|-------------|-------------|------------|-------|
| 08 | 0.982 | 0.062 | 0.817 | 0.594 | 0.120 | 0.445 | 0.434 | 0.089 | 0.030 0.028 | 0.198 0.166 | 0.473 | 0.800 |
| | 24.95 | 1.58 | 20.75 | 15.09 | 3.05 | 11.3 | 11.02 | 2.26 0.76 | 0.70 5.03 | 4.22 12.02 | 20.32 | |
| 10 | 0.982 | 0.062 | 0.942 | 0.719 | 0.120 | 0.445 | 0.558 | 0.089 | 0.030 0.028 | 0.198 0.166 | 0.590 | 0.800 |
| | 24.95 | 1.58 | 23.93 | 18.26 | 3.05 | 11.3 | 14.17 | 2.26 0.76 | 0.70 5.03 | 4.22 14.99 | 20.32 | |
| 12 | 0.982 | 0.062 | 1.036 | 0.812 | 0.120 | 0.445 | 0.683 | 0.089 | 0.030 0.028 | 0.198 0.166 | 0.750 | 0.800 |
| | 24.95 | 1.58 | 26.32 | 20.63 | 3.05 | 11.3 | 17.35 | 2.26 0.76 | 0.70 5.03 | 4.22 19.05 | 20.32 | |
| 14 | 0.982 | 0.062 | 1.130 | 0.906 | 0.120 | 0.445 | 0.808 | 0.089 | 0.030 0.028 | 0.198 0.166 | 0.875 | 0.800 |
| | 24.95 | 1.58 | 28.70 | 23.10 | 3.05 | 11.3 | 20.52 | 2.26 0.76 | 0.70 5.03 | 4.22 22.23 | 20.32 | |
| 16 | 0.982 | 0.062 | 1.223 | 0.969 | 0.120 | 0.445 | 0.933 | 0.089 | 0.030 0.028 | 0.198 0.166 | 1.000 | 0.800 |
| | 24.95 | 1.58 | 31.07 | 24.61 | 3.05 | 11.3 | 23.70 | 2.26 0.76 | 0.70 5.03 | 4.22 25.4 | 20.32 | |
| 18 | 0.982 | 0.062 | 1.317 | 1.062 | 0.120 | 0.445 | 1.057 | 0.089 | 0.030 0.028 | 0.198 0.166 | 1.125 | 0.800 |
| | 24.95 | 1.58 | 33.45 | 26.58 | 3.05 | 11.3 | 26.85 | 2.26 0.76 | 0.70 5.03 | 4.22 28.58 | 20.32 | |
| 20 | 1.057 | 0.080 | 1.442 | 1.156 | 0.120 | 0.555 | 1.182 | 0.076 | 0.030 0.028 | 0.185 0.153 | 1.250 | 0.875 |
| | 26.85 | 2.03 | 36.63 | 29.36 | 3.05 | 14.10 | 30.02 | 1.93 0.76 | 0.70 4.70 | 3.89 31.75 | 22.23 | |
| 22 | 1.057 | 0.080 | 1.567 | 1.250 | 0.120 | 0.555 | 1.307 | 0.076 | 0.030 0.028 | 0.185 0.153 | 1.375 | 0.875 |
| | 26.85 | 2.03 | 39.80 | 31.75 | 3.05 | 14.10 | 33.20 | 1.93 0.76 | 0.70 4.70 | 3.89 34.93 | 22.23 | |
| 24 | 1.057 | 0.080 | 1.692 | 1.375 | 0.147 | 0.590 | 1.432 | 0.076 | 0.030 0.028 | 0.185 0.153 | 1.500 | 0.875 |
| | 26.85 | 2.03 | 42.98 | 34.93 | 3.74 | 14.99 | 36.37 | 1.93 0.76 | 0.70 4.70 | 3.89 38.1 | 22.23 | |

Box Mounting Receptacles Hermetic Seal



62GB-12H

4-hole square mounting with exposed solder buckets or flattened and pierced pins.

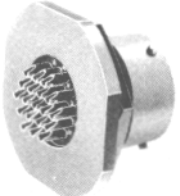
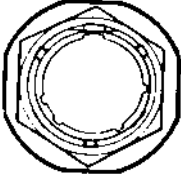
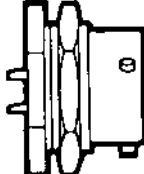
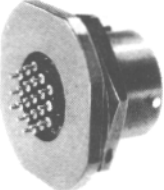
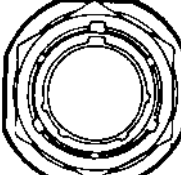
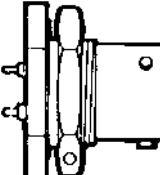

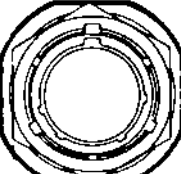
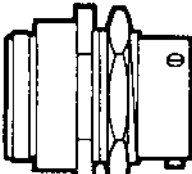
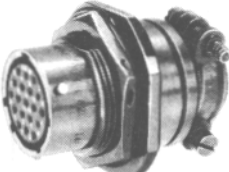
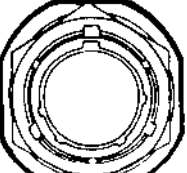
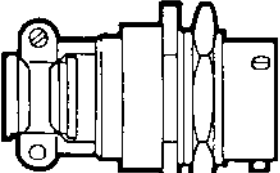
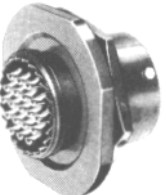

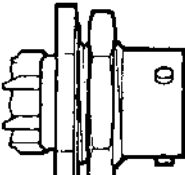
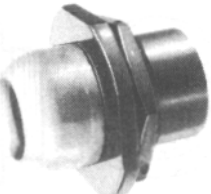
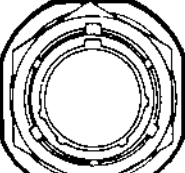
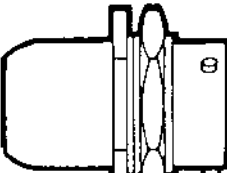

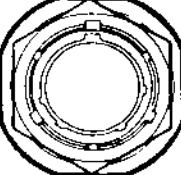
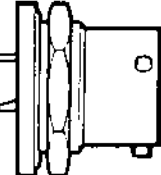


| Shell Size | A max | B ± 0.005 (± 0.13) | C max sq. | D | E 0.008 (± 0.203) (± 0.051) .002 | F ± 0.005 (± 0.13) | R ± 0.005 (± 0.13) | S | Y |
|------------|-------|------------------------------|-----------|-------|--|------------------------------|------------------------------|-------|-------|
| 08 | 0.828 | 0.062 | 0.812 | 0.594 | 0.120 | 0.443 | 0.568 | 1.250 | 0.473 |
| | 21.03 | 1.57 | 20.61 | 15.08 | 3.05 | 11.25 | 14.42 | 31.73 | 12.01 |
| 10 | 0.828 | 0.062 | 0.937 | 0.719 | 0.120 | 0.443 | 0.695 | 1.359 | 14.99 |
| | 21.03 | 1.57 | 23.79 | 18.29 | 3.05 | 11.25 | 17.53 | 34.52 | 14.99 |
| 12 | 0.828 | 0.062 | 1.031 | 0.812 | 0.120 | 0.443 | 0.864 | 1.531 | 0.750 |
| | 21.03 | 1.57 | 26.17 | 20.57 | 3.05 | 11.25 | 21.84 | 38.89 | 19.05 |
| 14 | 0.828 | 0.062 | 1.125 | 0.906 | 0.120 | 0.443 | 0.989 | 1.656 | 0.875 |
| | 21.03 | 1.57 | 28.57 | 23.11 | 3.05 | 11.25 | 25.15 | 42.06 | 22.23 |
| 16 | 0.828 | 0.062 | 1.218 | 0.969 | 0.120 | 0.443 | 1.113 | 1.781 | 1.000 |
| | 21.03 | 1.57 | 30.93 | 24.64 | 3.05 | 11.25 | 28.19 | 45.24 | 25.40 |
| 18 | 0.828 | 0.062 | 1.312 | 1.062 | 0.120 | 0.443 | 1.238 | 1.891 | 1.125 |
| | 21.03 | 1.57 | 33.32 | 26.92 | 3.05 | 11.25 | 31.49 | 48.03 | 28.58 |
| 20 | 0.890 | 0.093 | 1.437 | 1.156 | 0.120 | 0.561 | 1.363 | 2.031 | 1.250 |
| | 22.60 | 2.36 | 36.49 | 29.46 | 3.05 | 14.24 | 34.54 | 51.59 | 30.75 |
| 22 | 0.890 | 0.093 | 1.562 | 1.250 | 1.120 | 0.561 | 1.488 | 2.156 | 1.375 |
| | 22.60 | 2.36 | 39.67 | 31.75 | 3.05 | 14.24 | 37.85 | 54.76 | 34.93 |
| 24 | 0.890 | 0.093 | 1.687 | 1.375 | 0.147 | 0.593 | 1.615 | 2.277 | 1.500 |
| | 22.60 | 2.36 | 42.84 | 35.05 | 3.81 | 15.06 | 41.15 | 57.84 | 38.10 |

Single Hole Fixing Receptacles

Table of Styles

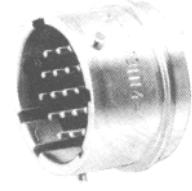
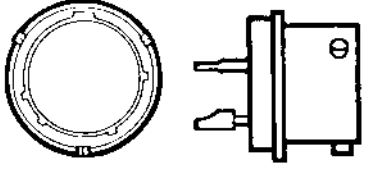
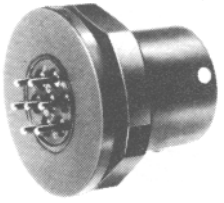
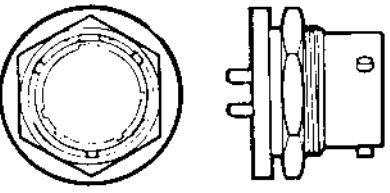
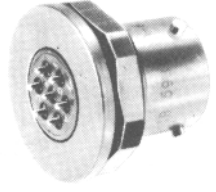
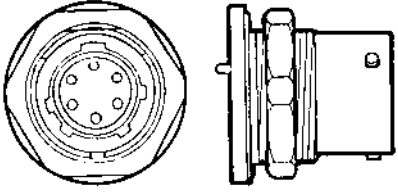
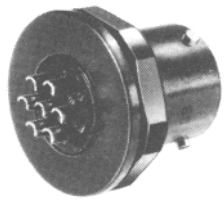
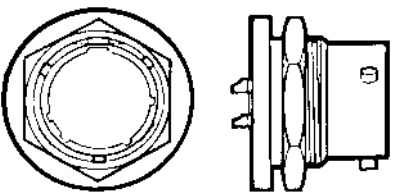
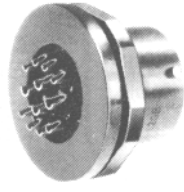
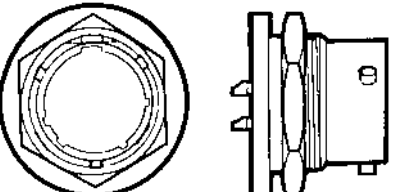
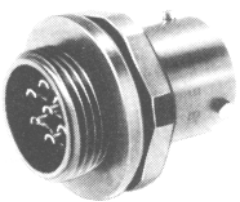
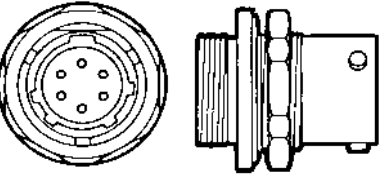
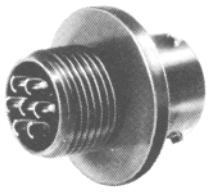
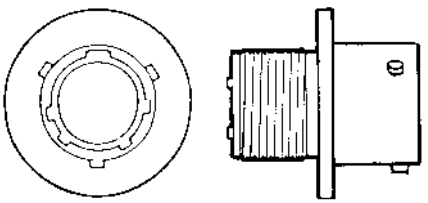
Page No.

| | | | |
|---------------------------|---|--|----|
| 62GB-57A |  |   | 20 |
| 62GB-57A (219) |  |   | 20 |
| 62GB-14E |  |   | 21 |
| 62GB-14F |  |   | 21 |
| 62GB-57T |  |   | 22 |
| 62GB-17P |  |   | 22 |
| 62GB-17H Hermetic Seal |  |   | 23 |

Single Hole Fixing Receptacles

Table of Styles

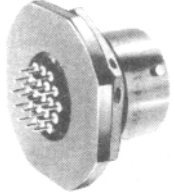
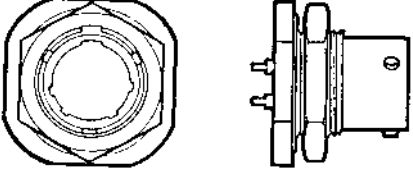
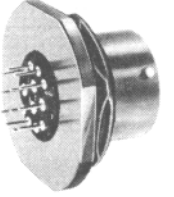
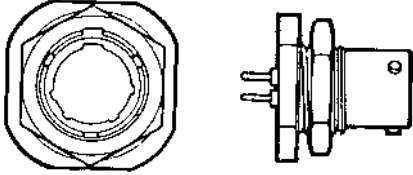
Page No.

| | | | |
|------------------------------------|---|--|-----------|
| <p>62GB-1 3H Hermetic Seal</p> |  |  | <p>23</p> |
| <p>62GB-5005-10</p> |  |  | <p>24</p> |
| <p>62GB-5036-10</p> |  |  | <p>24</p> |
| <p>62GB-5016-10</p> |  |  | <p>25</p> |
| <p>62GB-5024</p> |  |  | <p>25</p> |
| <p>62GB-5052</p> |  |  | <p>26</p> |
| <p>62GB-5030</p> |  |  | <p>26</p> |

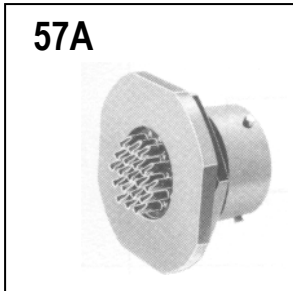
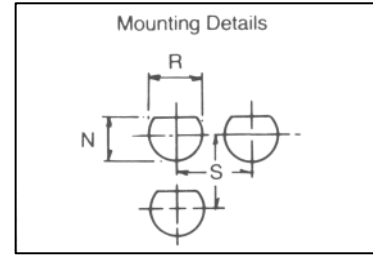
Single Hole Fixing Receptacles

Table of Styles

Page No.

| | | | |
|-----------|--|---|----|
| 62GB-5065 |  |  | 27 |
| 62GB-5067 |  |  | 27 |

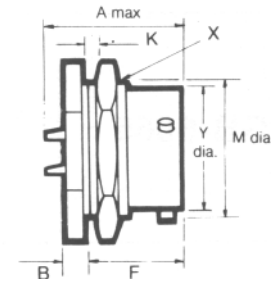
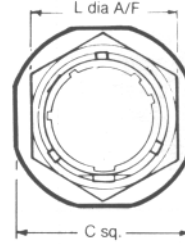
Single Hole Fixing Receptacles



57A

**62GB-57A
C2099**

Single hole mounting with plain shell for direct wiring to exposed solder buckets. Has panel 'O' ring seal.



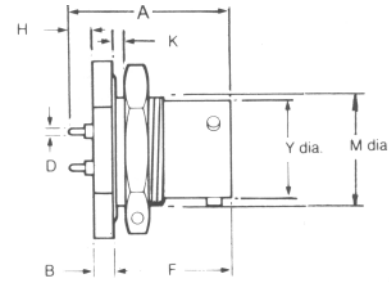
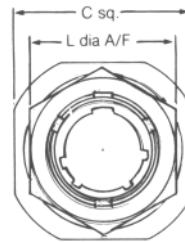
| Shell Size | A max | B ± 0.005 (± 0.13) | C sq. | F ± 0.005 (± 0.13) | min | max | L | M -0.005 (-0.13) | N ± 0.005 (± 0.13) | R ± 0.005 (± 0.13) | s min | Y | X Thread |
|------------|-------|--------------------|-------|--------------------|-------|-------|-------|------------------|--------------------|--------------------|-------|-------|----------------|
| 08 | 0.978 | 0.117 | 0.942 | 0.706 | 0.062 | 0.125 | 0.750 | 0.527 | 0.540 | 0.572 | 1.250 | 0.473 | 9/16 - 24 NEF |
| | 24.84 | 2.97 | 23.93 | 17.93 | 1.58 | 3.18 | 19.05 | 13.3 | 13.72 | 14.53 | 31.75 | 12.03 | |
| 10 | 0.978 | 0.117 | 1.067 | 0.706 | 0.062 | 0.125 | 0.875 | 0.652 | 0.665 | 0.697 | 1.359 | 0.590 | 11/16 - 24 NEF |
| | 24.84 | 2.97 | 27.10 | 17.93 | 1.58 | 3.18 | 22.23 | 16.56 | 16.89 | 17.70 | 34.52 | 14.99 | |
| 12 | 0.978 | 0.117 | 1.255 | 0.706 | 0.062 | 0.125 | 1.062 | 0.815 | 0.828 | 0.885 | 1.531 | 0.750 | 7/8 - 20 UNEF |
| | 24.84 | 2.97 | 31.88 | 17.93 | 1.58 | 3.18 | 26.98 | 20.70 | 21.03 | 22.48 | 38.89 | 19.05 | |
| 14 | 0.978 | 0.117 | 1.380 | 0.706 | 0.062 | 0.125 | 1.187 | 0.939 | 0.952 | 1.010 | 1.656 | 0.875 | 1 - 20 UNEF |
| | 24.84 | 2.97 | 35.05 | 17.93 | 1.58 | 3.18 | 30.15 | 23.85 | 24.18 | 25.65 | 42.06 | 22.23 | |
| 16 | 0.978 | 0.117 | 1.505 | 0.706 | 0.062 | 0.125 | 1.312 | 1.063 | 1.076 | 1.135 | 1.781 | 1.000 | 1.1/8 - 18 NEF |
| | 24.84 | 2.97 | 38.23 | 17.93 | 1.58 | 3.18 | 33.32 | 27.00 | 27.33 | 28.83 | 45.24 | 25.40 | |
| 18 | 0.978 | 0.117 | 1.630 | 0.706 | 0.062 | 0.125 | 1.437 | 1.188 | 1.201 | 1.260 | 1.891 | 1.125 | 1.1/4 - 18 NEF |
| | 24.84 | 2.97 | 41.40 | 17.93 | 1.58 | 3.18 | 36.50 | 30.18 | 30.50 | 32.00 | 48.03 | 28.58 | |
| 20 | 1.048 | 0.148 | 1.817 | 0.894 | 0.062 | 0.250 | 1.562 | 1.313 | 1.326 | 1.385 | 2.031 | 1.250 | 1.3/8 - 18NEF |
| | 26.62 | 3.76 | 46.15 | 22.71 | 1.58 | 6.35 | 38.68 | 33.35 | 33.68 | 35.18 | 51.59 | 31.75 | |
| 22 | 1.048 | 0.148 | 1.942 | 0.894 | 0.062 | 0.250 | 1.687 | 1.438 | 1.451 | 1.510 | 2.156 | 1.375 | 1.1/2 - 18 NEF |
| | 26.62 | 3.76 | 49.33 | 22.71 | 1.58 | 6.35 | 42.85 | 36.53 | 36.86 | 38.35 | 54.76 | 34.93 | |
| 24 | 1.048 | 0.148 | 2.067 | 0.927 | 0.062 | 0.250 | 1.812 | 1.563 | 1.576 | 1.635 | 2.277 | 1.500 | 1.5/8 - 18 NEF |
| | 26.62 | 3.76 | 52.50 | 23.55 | 1.575 | 6.35 | 46.05 | 39.70 | 40.03 | 41.45 | 57.84 | 38.10 | |



57A(219)

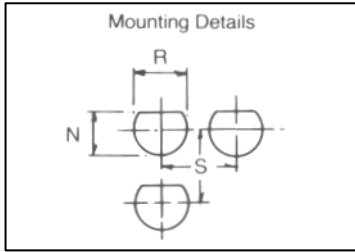
62GB-57A (219)

Single hole mounting with plain shell and film wire terminations



| Shell Size | A m | B ± 0.005 (± 0.13) | C sq. max. | max | D min | F ± 0.005 (± 0.13) | max | H min | min | K max | L | M -0.005 (-0.13) | N ± 0.005 (± 0.13) | R ± 0.005 (± 0.13) | S min | Y | X Thread |
|------------|-------|--------------------|------------|-------|-------|--------------------|-------|-------|-------|-------|-------|------------------|--------------------|--------------------|-------|-------|----------------|
| 08 | 0.976 | 0.117 | 0.942 | 0.030 | 0.028 | 0.706 | 0.173 | 0.133 | 0.062 | 0.125 | 0.750 | 0.527 | 0.540 | 0.572 | 1.250 | 0.473 | 9/16 - 24 NEF |
| | 24.79 | 2.97 | 23.93 | 0.76 | 0.71 | 17.93 | 4.40 | 3.38 | 1.58 | 3.18 | 19.05 | 13.3 | 13.72 | 14.53 | 31.75 | 12.03 | |
| 10 | 0.976 | 0.117 | 1.067 | 0.030 | 0.028 | 0.706 | 0.173 | 0.133 | 0.062 | 0.125 | 0.875 | 0.652 | 0.665 | 0.697 | 1.359 | 0.590 | 11/16 - 24 NEF |
| | 24.79 | 2.97 | 23.93 | 0.76 | 0.71 | 17.93 | 4.40 | 3.38 | 1.58 | 3.18 | 22.23 | 16.56 | 16.89 | 17.70 | 34.52 | 14.99 | |
| 12 | 0.976 | 0.117 | 1.255 | 0.030 | 0.028 | 0.706 | 0.173 | 0.133 | 0.062 | 0.125 | 1.062 | 0.815 | 0.828 | 0.885 | 1.531 | 0.750 | 7/8 - 20 UNEF |
| | 24.79 | 2.97 | 31.88 | 0.76 | 0.71 | 17.93 | 4.40 | 3.38 | 1.58 | 3.18 | 26.98 | 20.70 | 21.03 | 22.48 | 38.89 | 19.05 | |
| 14 | 0.976 | 0.117 | 1.380 | 0.030 | 0.028 | 0.706 | 0.173 | 0.133 | 0.062 | 0.125 | 1.187 | 0.939 | 0.952 | 1.010 | 1.656 | 0.875 | 1 - 20 UNEF |
| | 24.79 | 2.97 | 35.05 | 0.76 | 0.71 | 17.93 | 4.40 | 3.38 | 1.58 | 3.18 | 30.15 | 23.85 | 24.18 | 25.65 | 42.06 | 22.26 | |
| 16 | 0.976 | 0.117 | 1.505 | 0.030 | 0.028 | 0.706 | 0.173 | 0.133 | 0.062 | 0.125 | 1.312 | 1.063 | 1.076 | 1.135 | 1.781 | 1.000 | 1.1/8 - 18 NEF |
| | 24.79 | 2.97 | 38.23 | 0.76 | 0.71 | 17.93 | 4.40 | 3.38 | 1.58 | 3.18 | 33.32 | 27.00 | 27.33 | 28.83 | 45.24 | 25.40 | |
| 18 | 0.976 | 0.117 | 1.630 | 0.030 | 0.028 | 0.706 | 0.173 | 0.133 | 0.062 | 0.125 | 1.437 | 1.188 | 1.201 | 1.260 | 1.891 | 1.125 | 1.1/4 - 18 NEF |
| | 24.79 | 2.97 | 41.40 | 0.76 | 0.71 | 17.93 | 4.40 | 3.38 | 1.58 | 3.18 | 36.50 | 30.18 | 30.50 | 32.00 | 48.03 | 28.58 | |
| 20 | 1.195 | 0.148 | 1.817 | 0.030 | 0.028 | 0.894 | 0.173 | 0.133 | 0.062 | 0.250 | 1.562 | 1.313 | 1.326 | 1.385 | 2.031 | 1.250 | 1.3/8 - 18 NEF |
| | 30.35 | 3.76 | 46.15 | 0.76 | 0.71 | 22.71 | 4.40 | 3.38 | 1.58 | 6.35 | 38.68 | 33.35 | 35.18 | 51.59 | 31.75 | | |
| 22 | 1.195 | 0.148 | 1.942 | 0.030 | 0.028 | 0.894 | 0.173 | 0.133 | 0.062 | 0.250 | 1.687 | 1.438 | 1.451 | 1.510 | 2.156 | 1.375 | 1.1/2 - 18NEF |
| | 30.35 | 3.76 | 49.33 | 0.76 | 0.71 | 22.71 | 4.40 | 3.38 | 1.58 | 6.35 | 42.85 | 36.53 | 36.86 | 38.35 | 54.76 | 34.93 | |
| 24 | 1.228 | 0.148 | 2.067 | 0.030 | 0.028 | 0.927 | 0.173 | 0.133 | 0.062 | 0.250 | 1.812 | 1.563 | 1.576 | 1.635 | 2.277 | 1.500 | 1.5/8 - 18 NEF |
| | 30.35 | 3.76 | 52.50 | 0.76 | 0.71 | 23.55 | 4.40 | 3.38 | 1.58 | 6.35 | 46.05 | 39.70 | 40.03 | 41.45 | 57.84 | 38.10 | |

Single Hole Fixing Receptacles



62GB-14E
MIL-C-26482 MS3114E

Single hole mounting with grommet and grommet nut.
Has panel 'O' ring seal

| Shell Size | A max | B ±0.005 (±0.13) | C max sq. | F ±0.005 (±0.13) | G Dia Max | min | K max | L | M -0.005 (-0.13) | N ±0.005 (±0.13) | R ±0.005 (±0.13) | S | Y | X Thread |
|------------|-------|------------------|-----------|------------------|-----------|-------|-------|-------|------------------|------------------|------------------|-------|-------|----------------|
| 08 | 1.344 | 0.117 | 0.942 | 0.706 | 0.713 | 0.062 | 0.125 | 0.750 | 0.527 | 0.540 | 0.572 | 1.250 | 0.473 | 9/16-24NEF |
| | 34.14 | 2.97 | 23.93 | 17.93 | 18.11 | 1.58 | 3.18 | 19.05 | 13.3 | 13.72 | 14.53 | 31.75 | 12.03 | |
| 10 | 1.344 | 0.117 | 1.067 | 0.706 | 0.838 | 0.062 | 0.125 | 0.875 | 0.652 | 0.665 | 0.697 | 1.359 | 0.590 | 11/16 -24 NEF |
| | 34.14 | 2.97 | 27.10 | 17.93 | 21.29 | 1.58 | 3.18 | 22.23 | 16.56 | 16.89 | 17.70 | 34.52 | 14.99 | |
| 12 | 1.344 | 0.117 | 1.255 | 0.706 | 0.963 | 0.062 | 0.125 | 1.062 | 0.815 | 0.828 | 0.885 | 1.531 | 0.750 | 7/8 -20 UNEF |
| | 34.14 | 2.97 | 31.88 | 17.93 | 24.46 | 1.58 | 3.18 | 26.98 | 20.70 | 21.03 | 22.48 | 38.89 | 19.05 | |
| 14 | 1.344 | 0.117 | 1.380 | 0.706 | 1.088 | 0.062 | 0.125 | 1.187 | 0.939 | 0.952 | 1.010 | 1.656 | 0.875 | 1 - 20 UNEF |
| | 34.14 | 2.97 | 35.05 | 17.93 | 27.63 | 1.58 | 3.18 | 30.15 | 23.85 | 24.18 | 25.65 | 42.06 | 22.23 | |
| 16 | 1.344 | 0.117 | 1.505 | 0.706 | 1.213 | 0.062 | 0.125 | 1.312 | 1.063 | 1.076 | 1.135 | 1.781 | 1.000 | 1.1/8 -18NEF |
| | 34.14 | 2.97 | 38.23 | 17.93 | 30.81 | 1.58 | 3.18 | 33.32 | 27.00 | 27.33 | 28.83 | 45.24 | 25.40 | |
| 18 | 1.344 | 0.117 | 1.630 | 0.706 | 1.338 | 0.062 | 0.125 | 1.437 | 1.188 | 1.201 | 1.260 | 1.891 | 1.125 | 1.1/4 -18 NEF |
| | 34.14 | 2.97 | 41.40 | 17.93 | 33.98 | 1.58 | 3.18 | 36.50 | 30.18 | 30.50 | 32.00 | 48.03 | 28.58 | |
| 20 | 1.576 | 0.148 | 1.817 | 0.894 | 1.463 | 0.062 | 0.250 | 1.562 | 1.313 | 1.326 | 1.385 | 2.031 | 1.250 | 1.3/8 - 18 NEF |
| | 40.03 | 3.76 | 46.15 | 22.71 | 37.16 | 1.58 | 6.35 | 38.68 | 33.35 | 33.68 | 35.18 | 51.59 | 31.75 | |
| 22 | 1.576 | 0.148 | 1.942 | 0.894 | 1.588 | 0.062 | 0.250 | 1.687 | 1.438 | 1.451 | 1.510 | 2.156 | 1.375 | 1.1/2 - 18 NEF |
| | 40.03 | 3.76 | 49.33 | 22.71 | 40.33 | 1.58 | 6.35 | 42.85 | 36.53 | 36.86 | 38.35 | 54.76 | 34.93 | |
| 24 | 1.609 | 0.148 | 2.067 | 0.927 | 1.713 | 0.062 | 0.250 | 1.812 | 1.563 | 1.576 | 1.635 | 2.277 | 1.500 | 1.5/8 - 18 NEF |
| | 40.87 | 3.76 | 52.50 | 23.55 | 43.51 | 1.58 | 6.35 | 46.05 | 39.70 | 40.03 | 41.45 | 57.84 | 38.10 | |

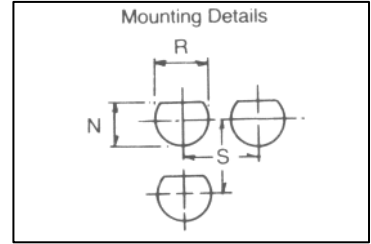


62GB-1 4F
MIL-C-26482 MS3114F

Single hole mounting with grommet and grommet nut fitted with integral strain relief clamp.
Has panel 'O' ring seal

| Shell Size | A max | B ±0.005 (±0.13) | C max sq. | F ±0.005 (±0.13) | G dia. max. | H 0.005 (± 0.13) | min | K max | L | M -0.005 (-0.13) | N ±0.005 (±0.13) | R ±0.005 (±0.13) | S | Y | X Thread |
|------------|-------|------------------|-----------|------------------|-------------|------------------|-------|-------|-------|------------------|------------------|------------------|-------|-------|-----------------|
| 08 | 1.762 | 0.117 | 0.942 | 0.706 | 0.828 | 0.156 | 0.062 | 0.125 | 0.750 | 0.527 | 0.540 | 0.572 | 1.250 | 0.473 | 9/16 -24 NEF |
| | 44.75 | 2.97 | 23.93 | 17.93 | 21.03 | 3.96 | 1.58 | 3.18 | 19.05 | 13.3 | 13.72 | 14.53 | 31.75 | 12.03 | |
| 10 | 1.762 | 0.117 | 1.067 | 0.706 | 0.891 | 0.188 | 0.062 | 0.125 | 0.875 | 0.652 | 0.665 | 0.697 | 1.359 | 0.590 | 11/16 - 124 NEF |
| | 44.75 | 2.97 | 27.10 | 17.93 | 22.63 | 4.78 | 1.58 | 3.18 | 22.23 | 16.56 | 16.89 | 17.70 | 34.52 | 14.99 | |
| 12 | 1.762 | 0.117 | 1.255 | 0.706 | 1.016 | 0.312 | 0.062 | 0.125 | 1.062 | 0.815 | 0.828 | 0.885 | 1.531 | 0.750 | 7/8 - 20 UNEF |
| | 44.75 | 2.97 | 31.88 | 17.93 | 25.81 | 7.93 | 1.58 | 3.18 | 26.98 | 20.70 | 21.03 | 22.48 | 38.89 | 19.05 | |
| 14 | 1.736 | 0.117 | 1.380 | 0.706 | 1.147 | 0.375 | 0.062 | 0.125 | 1.187 | 0.939 | 0.952 | 1.010 | 1.656 | 0.875 | 1 - 20 NEF |
| | 44.10 | 2.97 | 35.05 | 17.93 | 28.97 | 9.53 | 1.58 | 3.18 | 30.15 | 23.85 | 24.18 | 25.65 | 42.06 | 22.23 | |
| 16 | 1.876 | 0.117 | 1.505 | 0.706 | 1.203 | 0.500 | 0.062 | 0.125 | 1.312 | 1.063 | 1.076 | 1.135 | 1.781 | 1.000 | 1.1/8 - 18 NEF |
| | 47.65 | 2.97 | 38.23 | 17.93 | 30.56 | 12.7 | 1.58 | 3.18 | 33.32 | 27.00 | 27.33 | 28.83 | 45.24 | 25.40 | |
| 18 | 1.876 | 0.117 | 1.630 | 0.706 | 1.426 | 0.625 | 0.062 | 0.125 | 1.437 | 1.188 | 1.201 | 1.260 | 1.891 | 1.125 | 1.1/4 - 18 NEF |
| | 47.65 | 2.97 | 41.40 | 17.93 | 36.22 | 15.88 | 1.58 | 3.18 | 36.50 | 30.18 | 30.50 | 32.00 | 48.03 | 28.58 | |
| 20 | 2.118 | 0.148 | 1.817 | 0.894 | 1.426 | 0.625 | 0.062 | 0.250 | 1.562 | 1.313 | 1.326 | 1.385 | 2.031 | 1.250 | 1.3/8 - 18 NEF |
| | 53.8 | 3.76 | 46.15 | 22.71 | 36.22 | 15.88 | 1.58 | 6.35 | 38.68 | 33.35 | 33.68 | 35.18 | 51.59 | 31.75 | |
| 22 | 2.118 | 0.148 | 1.942 | 0.894 | 1.567 | 0.750 | 0.062 | 0.250 | 1.687 | 1.438 | 1.451 | 1.510 | 2.756 | 1.375 | 1.1/2 - 18 NEE |
| | 53.8 | 3.76 | 49.33 | 22.71 | 39.80 | 19.05 | 1.58 | 6.35 | 42.85 | 36.53 | 36.86 | 38.35 | 54.76 | 34.93 | |
| 24 | 2.250 | 0.148 | 2.067 | 0.927 | 1.735 | 0.800 | 0.062 | 0.250 | 1.812 | 1.563 | 1.576 | 1.635 | 2.277 | 1.500 | 1.5/8 - 18 NEF |
| | 57.15 | 3.76 | 52.50 | 23.55 | 44.07 | 20.32 | 1.58 | 6.35 | 46.05 | 39.70 | 40.03 | 41.45 | 57.84 | 38.10 | |

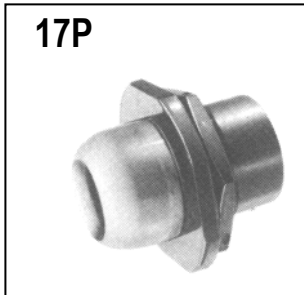
Single Hole Fixing Receptacles



62G B-57T

Single hole mounting with threaded shell to accept accessories

| Shell Size | A max | B ± 0.005 (±0.13) | c max. sq. (±0.13) | F ± 0.005 (±0.13) | G dia. max. | K min max | L | M -0.005 (-0.13) | N | Y | X Thread | |
|------------|-------|-------------------|--------------------|-------------------|-------------|-----------|-------|------------------|-------|---------------|----------|-----------------|
| 08 | 0.978 | 0.117 | 0.942 | 0.595 | 0.426 | 0.062 | 0.125 | 0.750 | 0.527 | 7/16 - UNEF | 0.473 | 9/16 - 24 NEF |
| | 24.84 | 2.97 | 23.93 | 15.12 | 10.82 | 1.58 | 3.18 | 19.05 | 13.3 | | 12.03 | |
| 10 | 0.978 | 0.117 | 1.067 | 0.595 | 0.552 | 0.062 | 0.125 | 0.875 | 0.652 | 9/16 - UNEF | 0.590 | 11/16 - 24 NEF |
| | 24.84 | 2.97 | 27.10 | 15.12 | 14.02 | 1.58 | 3.18 | 22.23 | 16.56 | | 14.99 | |
| 12 | 0.978 | 0.117 | 1.255 | 0.595 | 0.677 | 0.062 | 0.125 | 1.062 | 0.815 | 11/16 - UNEF | 0.750 | 7/8 - 20 UNEF |
| | 24.84 | 2.97 | 31.88 | 15.12 | 17.20 | 1.58 | 3.18 | 26.98 | 20.70 | | 19.05 | |
| 14 | 0.978 | 0.117 | 1.380 | 0.595 | 0.802 | 0.062 | 0.125 | 1.187 | 0.939 | 13/16 - UNEF | 0.875 | 1 - 20 UNEF |
| | 24.84 | 2.97 | 35.05 | 15.12 | 20.37 | 1.58 | 3.18 | 30.15 | 23.85 | | 22.23 | |
| 16 | 0.978 | 0.117 | 1.505 | 0.595 | 0.927 | 0.062 | 0.125 | 1.312 | 1.063 | 15/16 - UNEF | 1.000 | 1.1/18 - 18 NEF |
| | 24.84 | 2.97 | 38.23 | 15.12 | 23.55 | 1.58 | 3.18 | 33.32 | 27.00 | | 25.40 | |
| 18 | 0.978 | 0.117 | 1.630 | 0.595 | 1.052 | 0.062 | 0.125 | 1.437 | 1.188 | 1.1/16 - UNEF | 1.125 | 1.1/4 - 18 NEF |
| | 24.84 | 2.98 | 41.40 | 15.12 | 26.72 | 1.58 | 3.18 | 36.50 | 30.18 | | 28.58 | |
| 20 | 1.048 | 0.148 | 1.817 | 0.720 | 1.167 | 0.062 | 0.250 | 1.562 | 1.313 | 1.3/16 - UNEF | 1.250 | 1.3/8 - 18 NEF |
| | 26.62 | 3.76 | 46.15 | 18.29 | 29.65 | 1.58 | 6.35 | 38.68 | 33.35 | | 31.75 | |
| 22 | 1.048 | 0.148 | 1.942 | 0.720 | 1.292 | 0.062 | 0.250 | 1.687 | 1.438 | 1.5/16 - UNEF | 1.375 | 1.1/2 - 18 NEF |
| | 26.62 | 3.76 | 49.33 | 18.29 | 32.82 | 1.58 | 6.35 | 42.85 | 36.53 | | 34.93 | |
| 24 | 1.048 | 0.148 | 2.067 | 0.753 | 1.416 | 0.062 | 0.250 | 1.812 | 1.563 | 1.7/16 - UNEF | 1.50 | 1.5/8 - 18 NEF |
| | 26.62 | 3.76 | 52.50 | 19.13 | 35.97 | 1.58 | 6.35 | 46.05 | 39.70 | | 38.10 | |



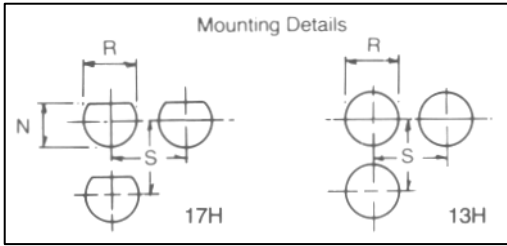
62GB-17P
MIL-C-26482 MS3114P

Single hole mounting for potting. Supplied complete with potting mould locating ring and panel 'O' ring seal

| Shell Size | A max. | B ±0.005 (±0.13) | C max. sq. (±0.13) | F ± 0.005 (±0.13) | G | K min max | L | M -0.005 (-0.13) | N ±0.005 (±0.13) | R ±0.005 (±0.13) | Y | Z | X Thread | | |
|------------|--------|------------------|--------------------|-------------------|-------|-----------|-------|------------------|------------------|------------------|-------|-------|----------|-------|-----------------|
| 08 | 1.391 | 0.117 | 0.942 | 0.706 | 0.572 | 0.062 | 0.125 | 0.750 | 0.527 | 0.540 | 0.572 | 1.250 | 0.473 | 0.260 | 9/16 - 24 NEF |
| | 35.33 | 2.97 | 23.93 | 17.93 | 14.53 | 1.58 | 3.175 | 19.05 | 13.3 | 13.72 | 14.53 | 31.75 | 12.03 | 6.60 | |
| 10 | 1.391 | 0.117 | 1.067 | 0.706 | 0.666 | 0.062 | 0.125 | 0.875 | 0.652 | 0.665 | 0.697 | 1.359 | 0.590 | 0.463 | 11/16 - 24 NEF |
| | 35.33 | 2.97 | 27.10 | 17.93 | 16.92 | 1.58 | 3.18 | 22.23 | 16.56 | 16.89 | 17.70 | 34.52 | 14.99 | 11.76 | |
| 12 | 1.391 | 0.117 | 1.255 | 0.706 | 0.822 | 0.062 | 0.125 | 1.062 | 0.815 | 0.828 | 0.885 | 1.531 | 0.750 | 0.557 | 7/8 - 20 UNEF |
| | 35.33 | 2.97 | 31.88 | 17.93 | 20.88 | 1.58 | 3.18 | 26.98 | 20.70 | 21.03 | 22.48 | 38.89 | 19.05 | 14.15 | |
| 14 | 1.391 | 0.117 | 1.380 | 0.706 | 0.907 | 0.062 | 0.125 | 1.187 | 0.939 | 0.952 | 1.010 | 1.656 | 0.875 | 0.590 | 1 - 20 UNEF |
| | 35.33 | 2.97 | 35.05 | 17.93 | 23.06 | 1.58 | 3.18 | 30.15 | 23.85 | 24.18 | 25.65 | 42.06 | 22.23 | 14.99 | |
| 16 | 1.391 | 0.117 | 1.505 | 0.706 | 1.040 | 0.062 | 0.125 | 1.312 | 1.063 | 1.076 | 1.135 | 1.781 | 1.000 | 0.713 | 1.1/18 - 18 NEF |
| | 35.33 | 2.97 | 38.23 | 17.93 | 26.42 | 1.58 | 3.18 | 33.32 | 27.00 | 27.33 | 28.83 | 45.24 | 25.40 | 18.11 | |
| 18 | 1.391 | 0.117 | 1.630 | 0.706 | 1.165 | 0.062 | 0.125 | 1.437 | 1.188 | 1.201 | 1.260 | 1.891 | 1.125 | 0.835 | 1.1/4 - 18 NEF |
| | 35.33 | 2.97 | 41.40 | 17.93 | 29.59 | 1.58 | 3.175 | 36.50 | 30.18 | 30.50 | 32.00 | 48.03 | 28.58 | 21.21 | |
| 20 | 1.641 | 0.148 | 1.817 | 0.894 | 1.285 | 0.062 | 0.250 | 1.562 | 1.313 | 1.326 | 1.385 | 2.031 | 1.250 | 1.015 | 1.3/8 - 18 NEF |
| | 41.68 | 3.76 | 46.15 | 22.71 | 32.64 | 1.58 | 6.35 | 38.68 | 33.35 | 33.68 | 35.18 | 51.59 | 31.75 | 25.78 | |
| 22 | 1.641 | 0.148 | 1.942 | 0.894 | 1.400 | 0.062 | 0.250 | 1.687 | 1.438 | 1.451 | 1.510 | 2.156 | 1.375 | 1.015 | 1.1/2 - 18 NEF |
| | 41.68 | 3.76 | 49.33 | 22.71 | 35.56 | 1.58 | 6.35 | 42.85 | 36.53 | 36.86 | 38.35 | 54.76 | 34.93 | 25.78 | |
| 24 | 1.674 | 0.148 | 2.067 | 0.927 | 1.540 | 0.062 | 0.250 | 1.812 | 1.563 | 1.576 | 1.635 | 2.277 | 1.500 | 1.265 | 1.5/8 - 18 NEF |
| | 42.52 | 3.76 | 52.50 | 23.55 | 39.12 | 1.58 | 6.35 | 46.05 | 39.70 | 40.03 | 41.45 | 57.84 | 38.10 | 32.13 | |

Single Hole Fixing Receptacles

Hermetic Seal



62GB-17H
MIL-C-26482 MS3114H

Single hole mounting with pin contacts in one piece
glass-to-metal seal. Exposed solder buckets or flattened and pierced pins.
Has panel 'O' ring seal

| Shell Size | A max. | B ±0.005 (±0.13) | C max. sq | F ±0.005 (±0.13) | min | K max | L | M -0.005 (-0.13) | N ±0.005 (±0.13) | R ±0.005 (±0.13) | S | Y | X Thread |
|------------|--------|------------------|-----------|------------------|-------|-------|-------|------------------|------------------|------------------|-------|-------|----------------|
| 08 | 0.828 | 0.094 | 0.942 | 0.706 | 0.062 | 0.125 | 0.750 | 0.527 | 0.540 | 0.572 | 1.250 | 0.473 | 9/16 - 24 NEF |
| | 21.03 | 2.39 | 23.93 | 17.93 | 1.57 | 3.18 | 19.05 | 13.39 | 13.72 | 14.53 | 31.75 | 12.01 | |
| 10 | 0.828 | 0.094 | 1.067 | 0.706 | 0.062 | 0.125 | 0.875 | 0.652 | 0.665 | 0.697 | 1.359 | 0.590 | 11/16 - 24 NEF |
| | 21.03 | 2.39 | 27.10 | 17.93 | 1.57 | 3.18 | 22.23 | 16.56 | 16.89 | 17.70 | 34.52 | 14.99 | |
| 12 | 0.828 | 0.094 | 1.255 | 0.706 | 0.062 | 0.125 | 1.062 | 0.815 | 0.828 | 0.885 | 1.531 | 0.750 | 7/8 - 20 UNEF |
| | 21.03 | 2.39 | 31.88 | 17.93 | 1.57 | 3.18 | 26.97 | 20.70 | 21.03 | 22.48 | 38.89 | 19.05 | |
| 14 | 0.828 | 0.094 | 1.380 | 0.706 | 0.062 | 0.125 | 1.187 | 0.939 | 0.952 | 1.010 | 1.656 | 0.875 | 1 - 20 UNEF |
| | 21.03 | 2.39 | 35.05 | 17.93 | 1.57 | 3.18 | 30.15 | 23.85 | 24.18 | 25.65 | 42.06 | 22.23 | |
| 16 | 0.828 | 0.094 | 1.505 | 0.706 | 0.062 | 0.125 | 1.312 | 1.063 | 1.076 | 1.135 | 1.781 | 1.000 | 1.1/8 - 18 NEF |
| | 21.03 | 2.39 | 38.23 | 17.93 | 1.57 | 3.18 | 33.32 | 27.00 | 27.33 | 28.53 | 45.24 | 25.40 | |
| 18 | 0.828 | 0.094 | 1.630 | 0.706 | 0.062 | 0.125 | 1.437 | 1.188 | 1.201 | 1.260 | 1.891 | 1.125 | 1.1/4 - 18 NEF |
| | 21.03 | 2.39 | 41.40 | 17.93 | 1.57 | 3.18 | 36.50 | 30.18 | 30.51 | 32.00 | 48.03 | 28.58 | |
| 20 | 0.828 | 0.125 | 1.817 | 0.894 | 0.062 | 0.250 | 1.562 | 1.313 | 1.326 | 1.385 | 2.031 | 1.250 | 1.3/8 - 18 NEF |
| | 21.03 | 3.18 | 46.15 | 22.71 | 1.57 | 6.35 | 39.67 | 33.35 | 33.68 | 35.18 | 51.59 | 30.75 | |
| 22 | 0.890 | 0.125 | 1.942 | 0.894 | 0.062 | 0.250 | 1.687 | 1.438 | 1.451 | 1.510 | 2.156 | 1.375 | 1.1/2 - 18 NEF |
| | 22.61 | 3.18 | 49.33 | 22.71 | 1.57 | 6.35 | 42.85 | 36.53 | 36.86 | 38.35 | 54.76 | 34.93 | |
| 24 | 0.890 | 0.125 | 2.067 | 0.927 | 0.062 | 0.250 | 1.812 | 1.563 | 1.576 | 1.635 | 2.277 | 1.500 | 1.5/8 - 18 NEF |
| | 22.61 | 3.18 | 52.50 | 23.55 | 1.57 | 6.35 | 46.02 | 39.70 | 40.03 | 41.53 | 57.84 | 38.10 | |

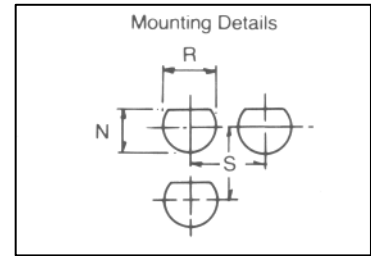


62GB-1 3H
MIL-C-26482 MS3113H

Solder mounting with plain shell and exposed solder buckets or flattened and pierced pins

| Shell Size | A max | B ±0.005 (± 0.13) | c max | F ±0.005 (± 0.13) | G max | J max | R ±0.005 (± 0.13) | S min | Y dia. max |
|------------|-------|-------------------|-------|-------------------|-------|-------|-------------------|-------|------------|
| 08 | 0.828 | 0.036 | 0.630 | 0.426 | 0.562 | 0.592 | 0.578 | 1.250 | 0.473 |
| | 21.03 | 0.91 | 16.00 | 10.82 | 14.27 | 15.04 | 14.68 | 31.75 | 12.01 |
| 10 | 0.828 | 0.036 | 0.755 | 0.426 | 0.672 | 0.592 | 0.687 | 1.359 | 0.590 |
| | 21.03 | 0.91 | 19.18 | 10.82 | 17.07 | 15.04 | 17.45 | 34.52 | 14.99 |
| 12 | 0.828 | 0.036 | 0.849 | 0.426 | 0.781 | 0.592 | 0.797 | 1.531 | 0.750 |
| | 21.03 | 0.91 | 21.56 | 10.82 | 19.84 | 15.04 | 20.24 | 38.89 | 19.05 |
| 14 | 0.828 | 0.036 | 0.974 | 0.426 | 0.906 | 0.592 | 0.922 | 1.656 | 0.875 |
| | 21.03 | 0.91 | 24.74 | 10.82 | 23.01 | 15.04 | 23.42 | 42.06 | 22.23 |
| 16 | 0.828 | 0.036 | 1.099 | 0.426 | 1.031 | 0.592 | 1.047 | 1.781 | 1.000 |
| | 21.03 | 0.91 | 27.91 | 10.82 | 26.19 | 15.04 | 26.59 | 45.24 | 25.40 |
| 18 | 0.828 | 0.036 | 1.223 | 0.426 | 1.156 | 0.592 | 1.172 | 1.891 | 1.125 |
| | 21.03 | 0.91 | 31.06 | 10.82 | 29.36 | 15.04 | 29.77 | 48.03 | 28.58 |
| 20 | 0.890 | 0.036 | 1.317 | 0.488 | 1.250 | 0.658 | 1.266 | 2.031 | 1.250 |
| | 22.61 | 0.91 | 33.45 | 12.40 | 31.75 | 16.70 | 32.16 | 51.59 | 30.75 |
| 22 | 0.890 | 0.036 | 1.443 | 0.488 | 1.375 | 0.686 | 1.390 | 2.156 | 1.375 |
| | 22.61 | 0.91 | 36.65 | 12.40 | 34.93 | 17.42 | 35.31 | 54.76 | 34.93 |
| 24 | 0.890 | 0.036 | 1.567 | 0.521 | 1.500 | 0.719 | 1.516 | 2.277 | 1.500 |
| | 22.61 | 0.91 | 39.80 | 13.23 | 38.10 | 18.26 | 38.51 | 57.84 | 38.10 |

Single Hole Fixing Receptacles

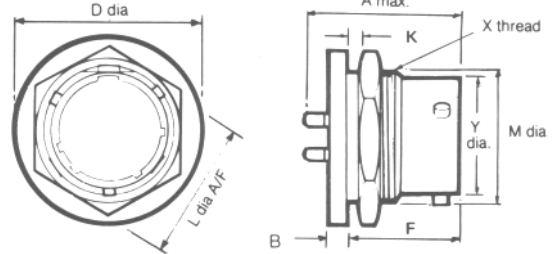


5005

62GB-5005-10
(RSRE SD/C 235025/X)

Single hole mounting plain shell with PC pin terminated contacts. Reduced diameter flange with panel 'O' seal

Size 10 only



| | A max | B +0.001 -0.002 (+0.03) (-0.03) | D dia. max | F +0.002 -0.003 (+0.05) (-0.08) | K min max | M -0.005 (-0.13) | N ±0.003 (±0.08) | R +0.005 (+0.13) | S | Y dia. max. | X Thread | L dia |
|----|----------------|---|------------------|---|--------------------------------|------------------------|------------------------|------------------------|----------------|-------------------|----------------|----------------|
| 10 | 0.877 22.28 | 0.065 1.65 | 0.880 22.35 | 0.681 17.29 | 0.062 1.58 0.125 3.18 | 0.655 16.63 | 0.659 16.47 | 0.690 17.52 | 1.017 25.83 | 0.590 14.99 | 11/16 – 24 NEF | 0.820 20.83 |

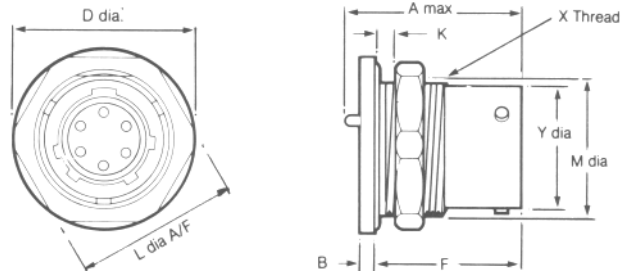


5036

62GB-5036-10
(RSRE SD/C235025/X)

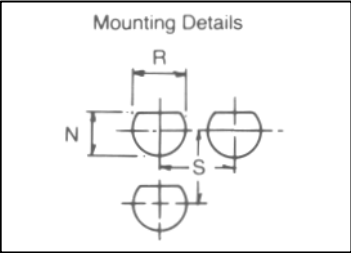
Single hole mounting with circular flange and P.C. terminations

Size 10 only



| Shell Size | A max | B +0.001 -0.002 (+0.03) (-0.05) | D dia. max | F +0.002 -0.003 (+0.05) (-0.08) | Y dia. max. | K min max | M -0.005 (-0.13) | N ±0.003 (±0.08) | R +0.005 (+0.13) | S | X Thread | L dia |
|---------------|----------------|---|------------------|---|-------------------|--------------------------------|------------------------|------------------------|------------------------|----------------|----------------|----------------|
| 10 | 0.829 21.06 | 0.066 1.67 | 0.880 22.35 | 0.679 17.25 | 0.590 14.99 | 0.062 1.57 0.125 3.18 | 0.655 16.63 | 0.659 16.47 | 0.690 17.52 | 1.017 25.83 | 11/16 – 24 NEF | 0.820 20.83 |

Single Hole Fixing Receptacles

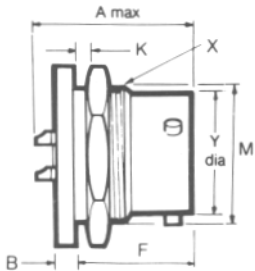
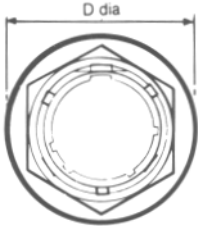


5016

62GB-5016-10
(RSRE SD/C 235025/X)

Single hole mounting plain shell for direct wiring to exposed solder buckets. Reduced diameter flange with panel 'O' ring seal

Solder bucket: Size 10 only



| Shell Size | A max | B +0.002 -0.001 (+0.05) (-0.03) | D dia. max | F + 0.003 - 0.002 (+ 0.08) (- 0.05) | K min | K max | M - 0.010 (- 0.25) | N ± 0.005 (± 0.13) | R + 0.005 (+ 0.13) | S | Y dia. max. | X Thread |
|------------|----------------|---|----------------|---|---------------|---------------|--------------------------|--------------------------|--------------------------|----------------|----------------|----------------|
| 10 | 0.902 22.91 | 0.064 1.62 | 0.880 22.35 | 0.678 17.21 | 0.062 1.58 | 0.125 3.18 | 0.655 16.63 | 0.665 16.89 | 0.697 17.70 | 1.359 34.52 | 0.590 14.99 | 11/16 - 24 NEF |

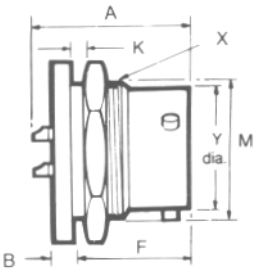
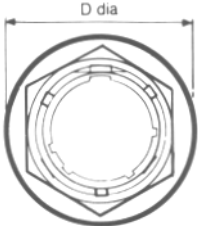


5024

62GB-5024
(RSRE SD/C 35077/X)

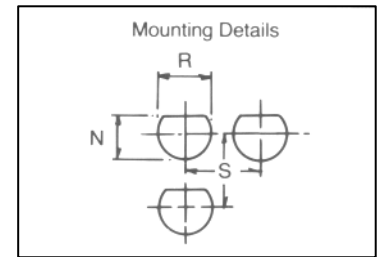
Single hole mounting plain shell for direct wiring to exposed solder buckets. Reduced diameter flange with panel 'O' ring seal

Solder buckets: Size 8, 12 and 14 only



| Shell Size | A max | B ± 0.005 (± 0.13) | D dia. max | F ± 0.005 (± 0.13) | K min | K max | M - 0.005 (- 0.13) | N ± 0.005 (± 0.13) | R ± 0.005 (± 0.13) | S min | Y dia. max | X Thread |
|------------|----------------|--------------------------|----------------|--------------------------|---------------|---------------|--------------------------|--------------------------|--------------------------|----------------|----------------|---------------|
| 08 | 0.978 24.84 | 0.117 2.97 | 0.830 21.08 | 0.706 17.93 | 0.062 1.58 | 0.125 3.18 | 0.527 13.3 | 0.540 13.72 | 0.572 14.53 | 1.250 31.75 | 0.473 12.03 | 9/16 - 24 NEF |
| 12 | 0.978 24.84 | 0.117 2.97 | 1.130 28.70 | 0.706 17.93 | 0.062 1.58 | 0.125 3.18 | 0.815 20.70 | 0.828 21.03 | 0.885 22.48 | 1.531 38.89 | 0.750 19.05 | 7/8 - 20 UNEF |
| 14 | 0.978 24.84 | 0.117 2.97 | 1.260 32.00 | 0.706 17.93 | 0.062 1.58 | 0.125 3.18 | 0.939 23.85 | 0.952 24.18 | 1.010 25.65 | 1.656 42.06 | 0.875 22.23 | 1 - 20 UNEF |

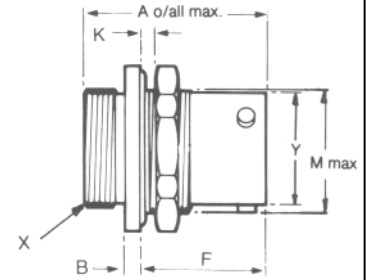
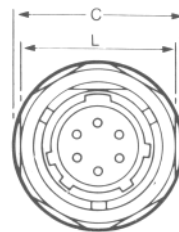
Single Hole Fixing Receptacles



62GB-5052-10

Single hole fixing with circular flange and back end thread - solder termination

Size 10 only

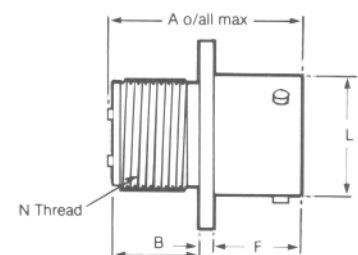
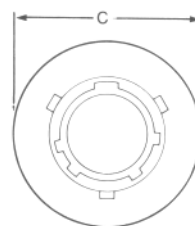


| Shell Size | A max | B (± 0.05) (± 0.03) | C max. sq. | F + 0.003 - 0.002 (+ 0.08) (- 0.05) | K min max | L | M - 0.005 (- 0.13) | N ± 0.005 (± 0.13) | R ± 0.005 (± 0.13) | S ± 0.005 (± 0.13) | X Thread |
|------------|----------------|---------------------|----------------|-------------------------------------|-----------------------------|----------------|--------------------|--------------------|--------------------|--------------------|----------------|
| 10 | 0.947 24.06 | 0.062 1.58 | 0.880 22.35 | 0.677 17.19 | 0.062 1.58 0.125 3.18 | 0.820 20.83 | 0.650 16.51 | 5/8 - 24 UNEF | 0.697 17.70 | 1.359 34.52 | 11/16 - 24 NEF |



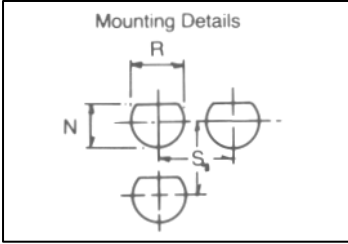
62G B-5030

Bulkhead mounting receptacle with solder terminations



| Shell Size | A max | B ± 0.005 (± 0.13) | C ± 0.010 (± 0.25) | F ± 0.005 (± 0.13) | L | N Thread |
|------------|----------------|--------------------|--------------------|--------------------|----------------|-----------------|
| 08 | 0.978 24.85 | 0.094 2.39 | 0.812 20.63 | 0.415 10.54 | 0.563 14.30 | 7/16 - 28 UNEF |
| 10 | 0.978 24.85 | 0.094 2.39 | 0.937 23.80 | 0.415 10.54 | 0.680 17.28 | 9/16 - 24 NEF |
| 12 | 0.978 24.85 | 0.094 2.39 | 1.031 26.19 | 0.415 10.54 | 0.859 21.82 | 11 /16 - 24 NEF |
| 14 | 0.978 24.85 | 0.094 2.39 | 1.125 28.58 | 0.415 10.54 | 0.984 25.00 | 13/16 - 20 UNEF |
| 16 | 0.978 24.85 | 0.094 2.39 | 1.218 30.94 | 0.415 10.54 | 1.108 28.15 | 15/16 - 20 UNEF |
| 18 | 0.978 24.85 | 0.094 2.39 | 1.3121 33.33 | 0.415 10.54 | 1.233 31.32 | 1.1/16 - 18NEF |
| 20 | 1.048 26.62 | 0.102 2.59 | 1.437 36.50 | 0.535 13.59 | 1.358 34.50 | 1.3/16 - 18NEF |
| 22 | 1.048 26.62 | 0.102 2.59 | 1.562 39.68 | 0.535 13.59 | 1.483 37.67 | 1.5/16 - 18 NEF |
| 24 | 1.048 26.62 | 0.102 2.59 | 1.687 42.85 | 0.572 14.53 | 1.610 40.90 | 1.7/16 - 18 NEF |

Single Mole Fixing Receptacles



62G B-5065

Single hole mounting with plain shell and film wire terminations

| Shell Size | A | | C sq. | D | | F | | H | | J | | K | L | M | N | R | S | Y | X Thread |
|------------|-------|------------------|-------|-------|-------|------------------|-------|-------|------------------|-------|-------|-------|-------|--------|-------|-------|-------|----------------|----------|
| | max | ± 0.005 (± 0.13) | | max | min | ± 0.005 (± 0.13) | max | min | ± 0.020 (± 0.51) | min | max | | | | | | | | |
| 08 | 1.021 | 0.117 | 0.942 | 0.030 | 0.028 | 0.706 | 0.218 | 0.178 | 0.060 | 0.062 | 0.125 | 0.750 | 0.527 | 0.540 | 0.572 | 1.250 | 0.473 | 9/16 - 24 NEF | |
| | 25.94 | 2.97 | 23.93 | 0.76 | 0.71 | 17.93 | 5.54 | 4.52 | 1.52 | 1.58 | 3.18 | 19.05 | 13.3 | 13.72 | 14.53 | 31.75 | 12.03 | | |
| 10 | 1.021 | 0.117 | 1.067 | 0.030 | 0.028 | 0.706 | 0.218 | 0.178 | 0.060 | 0.062 | 0.125 | 0.875 | 0.652 | 0.665 | 0.697 | 1.359 | 0.590 | 11/16 - 24 NEF | |
| | 25.94 | 2.97 | 27.10 | 0.76 | 0.71 | 17.93 | 5.54 | 4.52 | 1.52 | 1.58 | 3.18 | 22.23 | 16.56 | 16.89 | 17.70 | 34.52 | 14.99 | | |
| 12 | 1.021 | 0.117 | 1.255 | 0.030 | 0.028 | 0.706 | 0.218 | 0.178 | 0.060 | 0.062 | 0.125 | 1.062 | 0.815 | 0.828 | 0.885 | 1.531 | 0.750 | 7/8 - 20 UNEF | |
| | 25.94 | 2.97 | 31.88 | 0.76 | 0.71 | 17.93 | 5.54 | 4.52 | 1.52 | 1.58 | 3.18 | 26.98 | 20.70 | 21.03 | 22.48 | 38.89 | 19.05 | | |
| 14 | 1.021 | 0.117 | 1.380 | 0.030 | 0.028 | 0.706 | 0.218 | 0.178 | 0.060 | 0.062 | 0.125 | 1.187 | 0.939 | 0.952 | 1.010 | 1.656 | 0.875 | 1 - 20 UNEF | |
| | 25.94 | 2.97 | 35.05 | 0.76 | 0.71 | 17.93 | 5.54 | 4.52 | 1.52 | 1.58 | 3.18 | 30.15 | 23.85 | 24.18 | 25.65 | 42.06 | 22.23 | | |
| 16 | 1.021 | 0.117 | 1.505 | 0.030 | 0.028 | 0.706 | 0.218 | 0.178 | 0.060 | 0.062 | 0.125 | 1.312 | 1.063 | 1.076 | 1.135 | 1.781 | 1.000 | 1.1/8 - 18 NEF | |
| | 25.94 | 2.97 | 38.23 | 0.76 | 0.71 | 17.93 | 5.54 | 4.52 | 1.52 | 1.58 | 3.18 | 33.32 | 27.00 | 27.33 | 28.83 | 45.24 | 25.40 | | |
| 18 | 1.021 | 0.117 | 1.630 | 0.030 | 0.028 | 0.706 | 0.218 | 0.178 | 0.060 | 0.062 | 0.125 | 1.437 | 1.188 | 1.201 | 1.260 | 1.891 | 1.125 | 1.1/4 - 18 NEF | |
| | 25.94 | 2.97 | 41.40 | 0.76 | 0.71 | 17.93 | 5.54 | 4.52 | 1.52 | 1.58 | 3.18 | 36.50 | 30.18 | 30.50 | 32.00 | 48.03 | 28.58 | | |
| 20 | 1.240 | 0.148 | 1.817 | 0.030 | 0.028 | 0.894 | 0.218 | 0.178 | 0.060 | 0.062 | 0.250 | 1.562 | 1.313 | 1.326 | 1.385 | 2.031 | 1.250 | 1.3/8 - 18 NEF | |
| | 31.50 | 3.76 | 46.15 | 0.76 | 0.71 | 22.71 | 5.54 | 4.52 | 1.52 | 1.58 | 6.35 | 38.68 | 33.35 | 33.68 | 35.18 | 51.59 | 31.75 | | |
| 22 | 1.240 | 0.148 | 1.942 | 0.030 | 0.028 | 0.894 | 0.218 | 0.178 | 0.060 | 0.062 | 0.250 | 1.687 | 1.438 | 1.451 | 1.510 | 2.156 | 1.375 | 1.1/2 - 18 NEF | |
| | 31.50 | 3.76 | 49.33 | 0.76 | 0.71 | 22.71 | 5.54 | 4.52 | 1.52 | 1.58 | 6.35 | 42.85 | 36.53 | 36.855 | 38.35 | 54.76 | 34.93 | | |
| 24 | 1.273 | 0.148 | 2.067 | 0.030 | 0.028 | 0.927 | 0.218 | 0.178 | 0.060 | 0.062 | 0.250 | 1.812 | 1.563 | 1.576 | 1.635 | 2.277 | 1.500 | 1.5/8 - 18 NEF | |
| | 32.34 | 3.76 | 52.50 | 0.76 | 0.71 | 23.55 | 5.54 | 4.52 | 1.52 | 1.58 | 6.35 | 46.05 | 39.70 | 40.03 | 41.45 | 57.84 | 38.10 | | |



62GB-5067

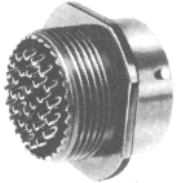
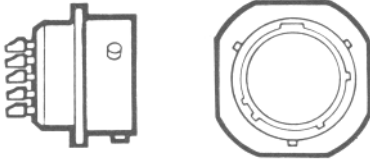

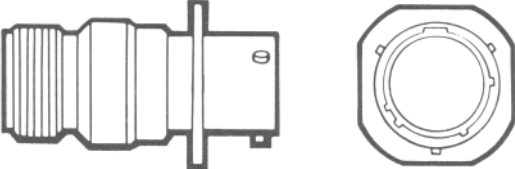
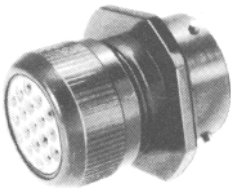
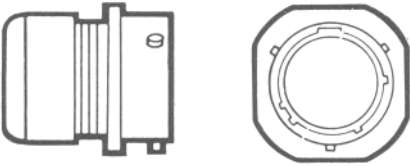
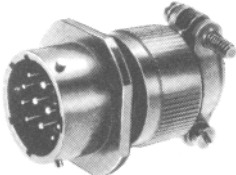
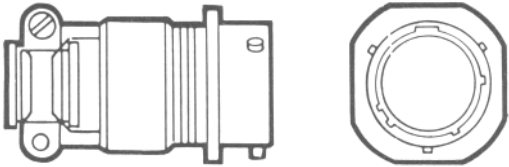

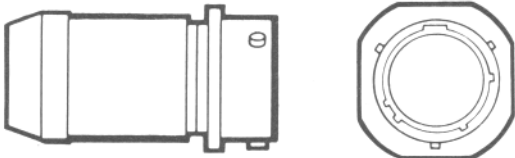
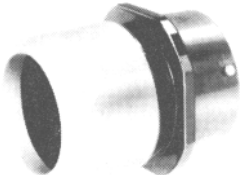
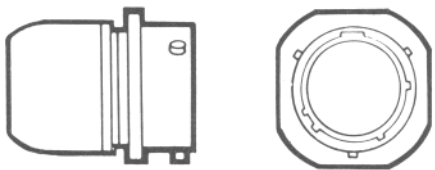
Single hole mounting with plain shell and film wire terminations

| Shell Size | A | | C max sq. | D max | F | | H | | J | | K max | L | M | N | R | S | Y | X Thread |
|------------|-------|------------------|-----------|-------|-------|-------|------------------|-------|-------|------------------|-------|-------|-------|-------|-------|-------|-------|----------------|
| | max | ± 0.005 (± 0.13) | | | max | min | ± 0.005 (± 0.13) | max | min | ± 0.012 (± 0.30) | | | | | | | | |
| 08 | 1.095 | 0.117 | 0.942 | 0.030 | 0.028 | 0.706 | 0.262 | 0.230 | 0.049 | 0.062 | 0.125 | 0.750 | 0.527 | 0.540 | 0.572 | 1.250 | 0.473 | 9/16 - 24 NEF |
| | 27.81 | 2.97 | 23.93 | 0.76 | 0.71 | 17.93 | 6.66 | 5.85 | 1.24 | 1.58 | 3.18 | 19.05 | 13.3 | 13.72 | 14.53 | 31.75 | 12.03 | |
| 10 | 1.095 | 0.117 | 1.067 | 0.030 | 0.028 | 0.706 | 0.262 | 0.230 | 0.049 | 0.062 | 0.125 | 0.875 | 0.652 | 0.665 | 0.697 | 1.359 | 0.590 | 11/16 - 24 NEF |
| | 27.81 | 2.97 | 27.10 | 0.76 | 0.71 | 17.93 | 6.66 | 5.85 | 1.24 | 1.58 | 3.18 | 22.23 | 16.56 | 16.89 | 17.70 | 34.52 | 14.99 | |
| 12 | 1.095 | 0.117 | 1.255 | 0.030 | 0.028 | 0.706 | 0.262 | 0.230 | 0.049 | 0.062 | 0.125 | 1.062 | 0.815 | 0.828 | 0.885 | 1.531 | 0.750 | 7/8 - 20 UNEF |
| | 27.81 | 2.97 | 31.88 | 0.76 | 0.71 | 17.93 | 6.66 | 5.85 | 1.24 | 1.58 | 3.18 | 26.98 | 20.70 | 21.03 | 22.50 | 38.89 | 19.05 | |
| 14 | 1.095 | 0.117 | 1.380 | 0.030 | 0.028 | 0.706 | 0.262 | 0.230 | 0.049 | 0.062 | 0.125 | 1.187 | 0.939 | 0.952 | 1.010 | 1.656 | 0.875 | 1 - 20 UNEF |
| | 27.81 | 2.97 | 35.10 | 0.76 | 0.71 | 17.93 | 6.66 | 5.85 | 1.24 | 1.58 | 3.18 | 30.15 | 23.85 | 24.18 | 25.65 | 42.06 | 22.23 | |
| 16 | 1.095 | 0.117 | 1.505 | 0.030 | 0.028 | 0.706 | 0.262 | 0.230 | 0.049 | 0.062 | 0.125 | 1.312 | 1.063 | 1.076 | 1.135 | 1.781 | 1.000 | 1.1/8 - 18 NEF |
| | 27.81 | 2.97 | 38.23 | 0.76 | 0.71 | 17.93 | 6.66 | 5.85 | 1.24 | 1.58 | 3.18 | 33.32 | 27.00 | 27.33 | 28.83 | 45.24 | 25.40 | |
| 18 | 1.095 | 0.117 | 1.630 | 0.030 | 0.028 | 0.706 | 0.262 | 0.230 | 0.049 | 0.062 | 0.125 | 1.437 | 1.188 | 1.201 | 1.260 | 1.891 | 1.125 | 1.1/4 - 18 NEF |
| | 27.81 | 2.97 | 41.40 | 0.76 | 0.71 | 17.93 | 6.66 | 5.85 | 1.24 | 1.58 | 3.18 | 36.50 | 30.18 | 30.51 | 32.00 | 48.03 | 28.58 | |
| 20 | 1.309 | 0.148 | 1.817 | 0.030 | 0.028 | 0.894 | 0.262 | 0.230 | 0.049 | 0.062 | 0.250 | 1.562 | 1.313 | 1.326 | 1.385 | 2.031 | 1.250 | 1.3/8 - 18 NEF |
| | 33.24 | 3.76 | 46.15 | 0.76 | 0.71 | 22.71 | 6.66 | 5.85 | 1.24 | 1.58 | 6.35 | 38.68 | 33.35 | 33.68 | 35.18 | 51.59 | 31.75 | |
| 22 | 1.309 | 0.148 | 1.942 | 0.030 | 0.028 | 0.894 | 0.262 | 0.230 | 0.049 | 0.062 | 0.250 | 1.687 | 1.438 | 1.451 | 1.510 | 2.156 | 1.375 | 1.1/2 - 18 NEF |
| | 33.24 | 3.76 | 49.33 | 0.76 | 0.71 | 22.71 | 6.66 | 5.85 | 1.24 | 1.58 | 6.35 | 42.85 | 36.53 | 36.86 | 38.35 | 54.76 | 34.93 | |
| 24 | 1.342 | 0.148 | 2.067 | 0.030 | 0.028 | 0.927 | 0.262 | 0.230 | 0.049 | 0.062 | 0.250 | 1.812 | 1.563 | 1.576 | 1.635 | 2.277 | 1.500 | 1.5/8 - 18 NEF |
| | 34.08 | 3.76 | 52.50 | 0.76 | 0.71 | 23.55 | 6.66 | 5.85 | 1.24 | 1.58 | 6.35 | 46.03 | 39.07 | 40.03 | 41.59 | 57.84 | 38.10 | |

Cable Mounting Receptacles

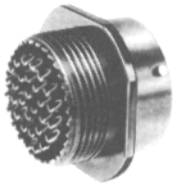
Table of Styles

Page No.

| | | | |
|----------|---|--|----|
| 62GB-51T |  |  | 29 |
| 62GB-11A |  |  | 29 |
| 62GB-11E |  |  | 30 |
| 62GB-11F |  |  | 30 |
| 62GB-11J |  |  | 31 |
| 62GB-11P |  |  | 31 |

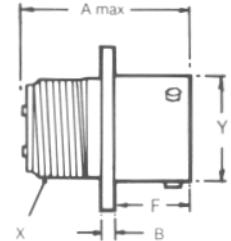
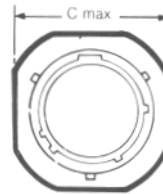
Cable Mounting Receptacles

51T



62GB-51T

Basic cable mounting receptacle with threaded shell to accept standard cable accessories.



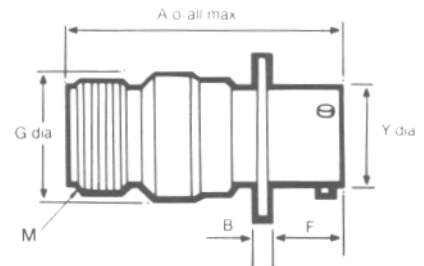
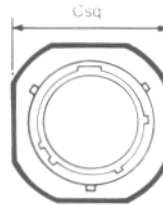
| Shell Size | A max | B ± 0.005 (± 0.13) | C max sq | F ± 0.005 (± 0.13) | Y dia max | X Thread |
|------------|-------|--------------------|----------|--------------------|-----------|-----------------|
| 08 | 0.978 | 0.094 | 0.817 | 0.415 | 0.473 | 7/16 - 28 UNEF |
| | 24.84 | 2.39 | 20.75 | 10.54 | 12.03 | |
| 10 | 0.978 | 0.094 | 0.942 | 0.415 | 0.590 | 9/16 - 24 NEF |
| | 24.84 | 2.39 | 23.93 | 10.54 | 14.99 | |
| 12 | 0.978 | 0.094 | 1.036 | 0.415 | 0.750 | 11 /16 - 24 NEF |
| | 24.84 | 2.39 | 26.32 | 10.54 | 19.05 | |
| 14 | 0.978 | 0.094 | 1.130 | 0.415 | 0.875 | 13/16 - 20 UNEF |
| | 24.84 | 2.39 | 28.70 | 10.54 | 22.23 | |
| 16 | 0.978 | 0.094 | 1.223 | 0.415 | 1.000 | 15/16 - 20 UNEF |
| | 24.84 | 2.39 | 31.07 | 10.54 | 25.40 | |
| 18 | 0.978 | 0.094 | 1.317 | 0.415 | 1.125 | 1.1/16 -18 NEF |
| | 24.84 | 2.39 | 33.45 | 10.54 | 28.58 | |
| 20 | 1.048 | 0.102 | 1.442 | 0.535 | 1.250 | 1.3/16 -18 NEF |
| | 26.62 | 2.59 | 36.63 | 13.59 | 31.75 | |
| 22 | 1.048 | 0.102 | 1.567 | 0.535 | 1.375 | 1.5/16 -18 NEF |
| | 26.62 | 2.59 | 39.80 | 13.59 | 34.93 | |
| 24 | 1.048 | 0.102 | 1.692 | 0.560 / 0.574 | 1.500 | 1.7/16 -18 NEF |
| | 26.62 | 2.59 | 42.98 | 14.23 / 14.58 | 38.10 | |

11A



62GB-11A

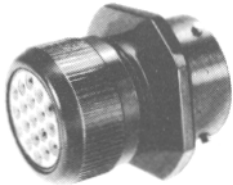
Cable mounting receptacle with general duty back shell. No grommet supplied.



| Shell Size | A max | B ± 0.005 (± 0.13) | C max sq | F ± 0.005 (± 0.13) | G dia max | Y Dia max | M Thread |
|------------|-------|--------------------|----------|--------------------|-----------|-----------|-----------------|
| 08 | 1.624 | 0.094 | 0.817 | 0.415 | 0.561 | 0.473 | 1/2 - 28 UNEF |
| | 41.25 | 2.39 | 20.75 | 10.54 | 14.25 | 12.03 | |
| 10 | 1.624 | 0.094 | 0.942 | 0.415 | 0.686 | 0.590 | 5/8 - 24 NEF |
| | 41.25 | 2.39 | 23.93 | 10.54 | 17.43 | 14.99 | |
| 12 | 1.624 | 0.094 | 1.036 | 0.415 | 0.811 | 0.750 | 3/4 - 20 UNEF |
| | 41.25 | 2.39 | 26.32 | 10.54 | 20.60 | 19.05 | |
| 14 | 1.624 | 0.094 | 1.130 | 0.415 | 0.936 | 0.875 | 7/8 - 20 UNEF |
| | 41.25 | 2.39 | 28.70 | 10.54 | 23.78 | 22.23 | |
| 16 | 1.624 | 0.094 | 1.223 | 0.415 | 1.061 | 1.000 | 1 - 20 UNEF |
| | 41.25 | 2.39 | 31.07 | 10.54 | 26.95 | 25.40 | |
| 18 | 1.624 | 0.094 | 1.317 | 0.415 | 1.186 | 1.125 | 1.3/16 - 18 NEF |
| | 41.25 | 2.39 | 33.45 | 10.54 | 30.13 | 28.58 | |
| 20 | 1.687 | 0.104 / 0.100 | 1.442 | 0.535 | 1.311 | 1.250 | 1.3/16 -18 NEF |
| | 42.85 | 2.64 / 2.55 | 36.63 | 13.59 | 33.30 | 31.75 | |
| 22 | 1.687 | 0.104 / 0.100 | 1.567 | 0.535 | 1.436 | 1.375 | 1.7/16 -18 NEF |
| | 42.85 | 2.64 / 2.55 | 39.80 | 13.59 | 36.75 | 34.93 | |
| 24 | 1.730 | 0.104 / 0.100 | 1.692 | 0.569 / 0.574 | 1.561 | 1.500 | 1.7/16 -18 NEF |
| | 43.94 | 2.64 / 2.55 | 42.98 | 14.45 / 14.58 | 39.65 | 38.10 | |

Cable Mounting Receptacles

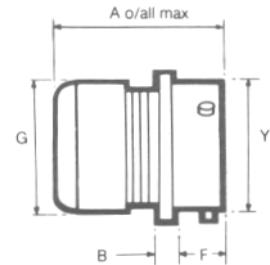
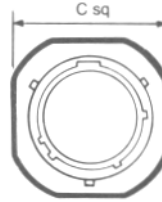
11E



62GB-11E

MIL-C-26482 MS3111E

Cable mounting receptacle with grommet and grommet nut



| Shell Size | A max | B ± 0.005 (± 0.13) | C max sq | F ± 0.005 (± 0.13) | G dia max | Y dia max |
|------------|-------|--------------------|----------|--------------------|-----------|-----------|
| 08 | 1.281 | 0.094 | 0.817 | 0.415 | 0.561 | 0.473 |
| | 32.54 | 2.39 | 20.75 | 10.54 | 14.25 | 12.03 |
| 10 | 1.281 | 0.094 | 0.942 | 0.415 | 0.686 | 0.590 |
| | 32.54 | 2.39 | 23.93 | 10.54 | 17.43 | 14.99 |
| 12 | 1.281 | 0.094 | 1.036 | 0.415 | 0.811 | 0.750 |
| | 32.54 | 2.39 | 26.32 | 10.54 | 20.60 | 19.05 |
| 14 | 1.281 | 0.094 | 1.130 | 0.415 | 0.936 | 0.875 |
| | 32.54 | 2.39 | 28.70 | 10.54 | 23.78 | 22.23 |
| 16 | 1.281 | 0.094 | 1.223 | 0.415 | 1.061 | 1.000 |
| | 32.54 | 2.39 | 31.07 | 10.54 | 26.95 | 25.40 |
| 18 | 1.281 | 0.094 | 1.317 | 0.415 | 1.186 | 1.125 |
| | 32.54 | 2.39 | 33.45 | 10.54 | 30.13 | 28.58 |
| 20 | 1.383 | 0.102 | 1.442 | 0.535 | 1.311 | 1.250 |
| | 35.13 | 2.59 | 36.63 | 13.59 | 33.30 | 31.75 |
| 22 | 1.383 | 0.102 | 1.567 | 0.535 | 1.436 | 1.375 |
| | 35.13 | 2.59 | 39.80 | 13.59 | 36.75 | 34.93 |
| 24 | 1.383 | 0.102 | 1.692 | 0.569 / 0.574 | 1.561 | 1.500 |
| | 35.13 | 2.59 | 42.98 | 14.45 / 14.58 | 39.65 | 38.10 |

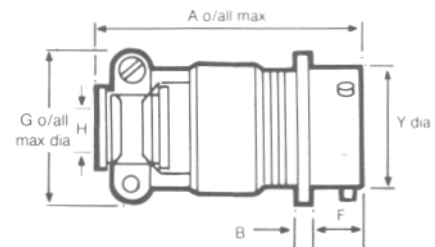
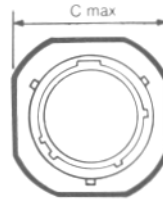
11F



62GB-11F

MIL-C-26482 MS3111F

Cable mounting receptacle with grommet and grommet nut fitted with integral strain relief clamp



| Shell Size | A max | B ± 0.005 (± 0.13) | C max sq | F ± 0.005 (± 0.13) | G dia max | H ± 0.005 (± 0.13) | Y dia max |
|------------|-------|--------------------|----------|--------------------|-----------|--------------------|-----------|
| 08 | 1.762 | 0.094 | 0.817 | 0.415 | 0.828 | 0.156 | 0.473 |
| | 44.75 | 2.39 | 20.75 | 10.54 | 21.03 | 3.96 | 12.03 |
| 10 | 1.762 | 0.094 | 0.942 | 0.415 | 0.891 | 0.188 | 0.590 |
| | 44.75 | 2.39 | 23.93 | 10.54 | 22.63 | 4.78 | 14.99 |
| 12 | 1.762 | 0.094 | 1.036 | 0.415 | 1.016 | 0.312 | 0.750 |
| | 44.75 | 2.39 | 26.32 | 10.54 | 25.81 | 7.93 | 19.05 |
| 14 | 1.736 | 0.094 | 1.130 | 0.415 | 1.141 | 0.375 | 0.875 |
| | 44.10 | 2.39 | 28.70 | 10.54 | 28.97 | 9.53 | 22.23 |
| 16 | 1.876 | 0.094 | 1.223 | 0.415 | 1.203 | 0.500 | 1.000 |
| | 47.65 | 2.39 | 31.07 | 10.54 | 30.56 | 12.7 | 25.40 |
| 18 | 1.876 | 0.094 | 1.317 | 0.415 | 1.426 | 0.625 | 1.125 |
| | 47.65 | 2.39 | 33.45 | 10.54 | 36.22 | 15.88 | 28.58 |
| 20 | 2.118 | 0.104 / 0.100 | 1.442 | 0.535 | 1.426 | 0.625 | 1.250 |
| | 53.80 | 2.64 / 2.55 | 36.63 | 13.59 | 36.22 | 15.88 | 31.75 |
| 22 | 2.118 | 0.104 / 0.100 | 1.567 | 0.535 | 1.567 | 0.750 | 1.375 |
| | 53.80 | 2.64 / 2.55 | 39.80 | 13.59 | 39.80 | 19.05 | 34.93 |
| 24 | 2.250 | 0.104 / 0.100 | 1.692 | 0.569 / 0.574 | 1.735 | 0.800 | 1.500 |
| | 57.15 | 2.64 / 2.55 | 42.98 | 14.45 / 14.58 | 44.07 | 20.32 | 38.10 |

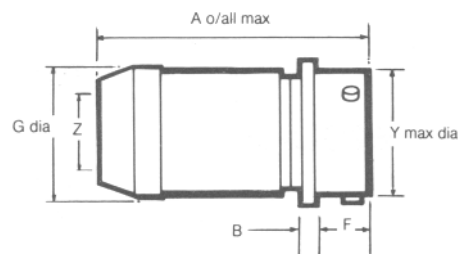
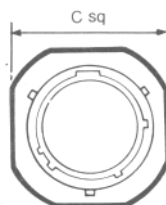
Cable Mounting Receptacles

11J



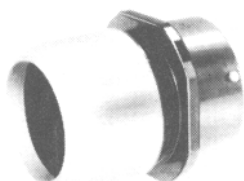
62GB-11J

With cable clamp for unscreened jacketed cable. No grommet supplied



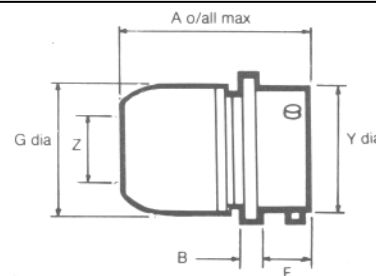
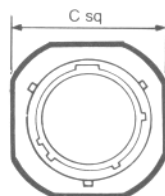
| Shell Size | A max | B ± 0.005 (± 0.13) | C max sq | F ± 0.005 (± 0.13) | G dia max | Y dia max | min closed | Z max free |
|------------|-------|--------------------|----------|--------------------|-----------|-----------|------------|------------|
| 08 | 1.846 | 0.094 | 0.817 | 0.415 | 0.561 | 0.473 | 0.168 | 0.230 |
| | 46.89 | 2.39 | 20.75 | 10.54 | 14.25 | 12.03 | 4.28 | 5.84 |
| 10 | 1.846 | 0.094 | 0.942 | 0.415 | 0.686 | 0.590 | 0.205 | 0.312 |
| | 46.89 | 2.39 | 23.93 | 10.54 | 17.43 | 14.99 | 5.21 | 7.93 |
| 12 | 1.947 | 0.094 | 1.036 | 0.415 | 0.811 | 0.750 | 0.338 | 0.442 |
| | 49.45 | 2.39 | 26.32 | 10.54 | 20.60 | 19.05 | 8.59 | 11.23 |
| 14 | 2.147 | 0.094 | 1.130 | 0.415 | 0.936 | 0.875 | 0.416 | 0.539 |
| | 54.54 | 2.39 | 28.70 | 10.54 | 23.78 | 22.23 | 10.57 | 13.69 |
| 16 | 2.347 | 0.094 | 1.223 | 0.415 | 1.061 | 1.000 | 0.550 | 0.616 |
| | 59.61 | 2.39 | 31.07 | 10.54 | 26.95 | 25.40 | 13.97 | 15.65 |
| 18 | 2.547 | 0.094 | 1.317 | 0.415 | 1.186 | 1.125 | 0.600 | 0.672 |
| | 64.70 | 2.39 | 33.45 | 10.54 | 30.13 | 28.58 | 15.24 | 17.07 |
| 20 | 2.831 | 0.102 | 1.442 | 0.535 | 1.311 | 1.250 | 0.635 | 0.747 |
| | 71.91 | 2.59 | 36.63 | 13.59 | 33.30 | 31.75 | 16.13 | 18.98 |
| 22 | 3.031 | 0.102 | 1.567 | 0.535 | 1.436 | 1.375 | 0.670 | 0.846 |
| | 76.99 | 2.59 | 39.80 | 13.59 | 36.75 | 34.93 | 17.02 | 21.49 |
| 24 | 3.074 | 0.102 | 1.692 | 0.569 / 0.574 | 1.561 | 1.500 | 0.740 | 0.894 |
| | 78.03 | 2.59 | 42.98 | 14.45 / 14.58 | 39.65 | 38.10 | 18.80 | 22.71 |

11P



62GB-11P
MIL-C-26482 MS3111P

For potted seal supplied complete with detachable potting mould and location ring

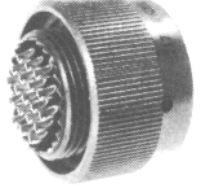
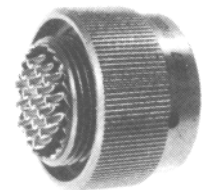
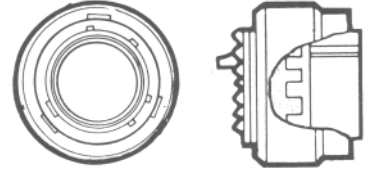
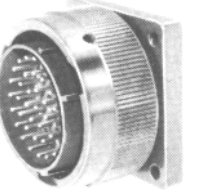


| Shell Size | A max | 8 ± 0.005 (± 0.13) | C max sq | F ± 0.005 (± 0.13) | G dia max | Y dia max | Z min |
|------------|-------|--------------------|----------|--------------------|-----------|-----------|-------|
| 08 | 1.316 | 0.094 | 0.817 | 0.415 | 0.572 | 0.473 | 0.260 |
| | 33.43 | 2.39 | 20.75 | 10.54 | 14.53 | 12.03 | 6.60 |
| 10 | 1.425 | 0.094 | 0.942 | 0.415 | 0.666 | 0.590 | 0.463 |
| | 36.20 | 2.39 | 23.93 | 10.54 | 16.92 | 14.99 | 11.76 |
| 12 | 1.394 | 0.094 | 1.036 | 0.415 | 0.822 | 0.750 | 0.557 |
| | 35.41 | 2.39 | 26.32 | 10.54 | 20.88 | 19.05 | 14.15 |
| 14 | 1.394 | 0.094 | 1.130 | 0.415 | 0.907 | 0.875 | 0.590 |
| | 35.41 | 2.39 | 28.70 | 10.54 | 23.04 | 22.23 | 14.99 |
| 16 | 1.394 | 0.094 | 1.223 | 0.415 | 1.040 | 1.000 | 0.713 |
| | 35.41 | 2.39 | 31.07 | 10.54 | 26.42 | 25.40 | 18.11 |
| 18 | 1.394 | 0.094 | 1.317 | 0.415 | 1.165 | 1.125 | 0.835 |
| | 35.41 | 2.39 | 33.45 | 10.54 | 29.59 | 28.58 | 22.21 |
| 20 | 1.612 | 0.102 | 1.442 | 0.535 | 1.285 | 1.250 | 1.015 |
| | 40.95 | 2.59 | 36.63 | 13.59 | 32.64 | 31.75 | 25.78 |
| 22 | 1.612 | 0.102 | 1.567 | 0.535 | 1.400 | 1.375 | 1.015 |
| | 40.95 | 2.59 | 39.80 | 13.59 | 35.56 | 34.93 | 25.78 |
| 24 | 1.674 | 0.102 | 1.692 | 0.569 / 0.574 | 1.540 | 1.500 | 1.265 |
| | 42.52 | 2.59 | 42.98 | 14.45 / 14.58 | 39.12 | 38.10 | 32.13 |

Plugs

Table of Styles


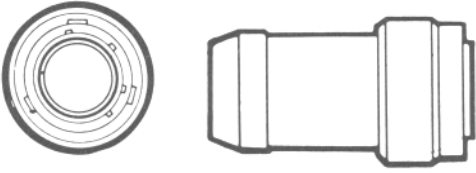
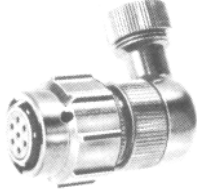
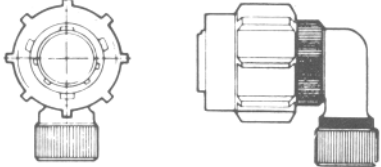
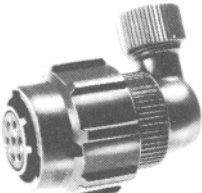
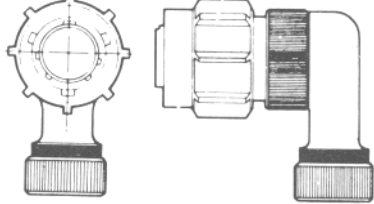

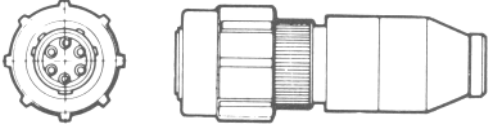
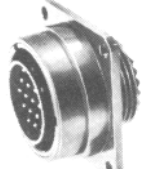
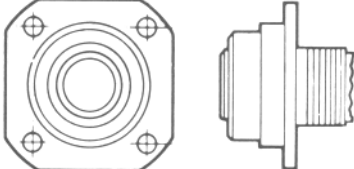
Page No.

| | | | |
|-------------------|---|--|----|
| 62GB-56T |  |  | 34 |
| 62GB-56TG |  |  | 34 |
| 62GB-16A |  |  | 35 |
| 62GB-56T (046) |  |  | 35 |
| 62GB-16E |  |  | 36 |
| 62GB-16F |  |  | 36 |
| 62GB-16P |  |  | 37 |

Plugs

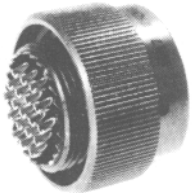
Table of Styles

Page No.

| | | | |
|--------------|---|--|----|
| 62GB-16J |  |  | 37 |
| 62GB-5039-10 |  |  | 38 |
| 62GB-5055-10 |  |  | 38 |
| 62GB-5056-10 |  |  | 38 |
| 62GB-5074 |  |  | 39 |

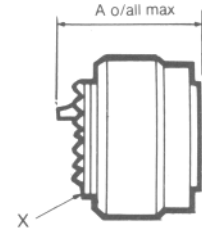
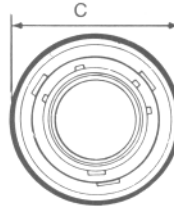
Plugs

56T



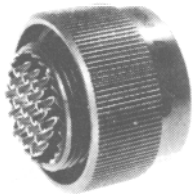
62GB-56T

Basic plug with threaded shell to accept standard cable accessories



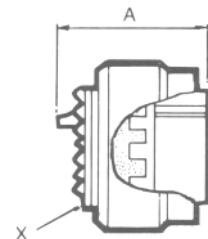
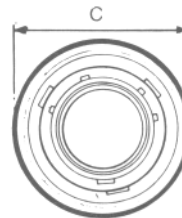
| Shell Size | A Max | C max | X Thread |
|------------|----------------|----------------|------------------|
| 08 | 0.976 24.79 | 0.750 19.05 | 7/16 - 28 UNEF |
| 10 | 0.976 24.79 | 0.859 21.82 | 9/16 - 24 NEF |
| 12 | 0.976 24.79 | 1.031 26.19 | 11/16 -24NEF |
| 14 | 0.976 24.79 | 1.156 29.36 | 13/16 - 20 UNEF |
| 16 | 0.976 24.79 | 1.281 32.54 | 15/16 - 20 UNEF |
| 18 | 0.976 24.79 | 1.391 35.33 | 1.1 /16 - 18 NEF |
| 20 | 0.976 24.79 | 1.531 38.89 | 1.3/16 - 18 NEF |
| 22 | 0.976 24.79 | 1.656 42.06 | 1.5/16 - 18 NEF |
| 24 | 0.976 24.79 | 1.777 45.14 | 1.7/16 - 18 NEF |

56TG



62GB-56TG

Basic plug with threaded shell to accept standard cable accessories. Has shell grounding spring fingers



| Shell Size | A max | C max | X Thread |
|------------|----------------|----------------|------------------|
| 08 | 0.976 24.79 | 0.750 19.05 | 7/16 - 28 UNEF |
| 10 | 0.976 24.79 | 0.859 21.82 | 9/16 - 24 NEF |
| 12 | 0.976 24.79 | 1.031 26.19 | 11/16 - 24 NEF |
| 14 | 0.976 24.79 | 1.156 29.36 | 13/16 - 20 UNEF |
| 16 | 0.976 24.79 | 1.281 32.54 | 15/16 - 20 UNEF |
| 18 | 0.976 24.79 | 1.391 35.33 | 1.1 /16 - 18 NEF |
| 20 | 0.976 24.79 | 1.531 38.89 | 1.3/16 - 18 NEF |
| 22 | 0.976 24.79 | 1.656 42.06 | 1.5/16 - 18 NEF |
| 24 | 0.976 24.79 | 1.777 45.14 | 1.7/16 - 18 NEF |

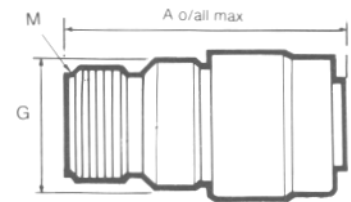
Plugs

16A



62GB-1 6A

Plug with general duty back shell.
No grommet provided.



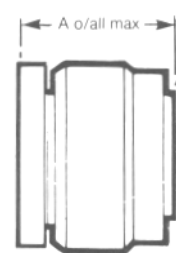
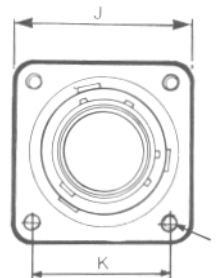
| Shell Size | A max | C max | G max | M Thread |
|------------|-------|-------|-------|-----------------|
| 08 | 1.614 | 0.750 | 0.561 | 1/2 - 28 UNEF |
| | 41.00 | 19.05 | 14.25 | |
| 10 | 1.614 | 0.859 | 0.686 | 5/8 - 24 NEF |
| | 41.00 | 21.82 | 17.43 | |
| 12 | 1.614 | 1.031 | 0.811 | 3/4 - 20 UNEF |
| | 41.00 | 26.19 | 20.60 | |
| 14 | 1.614 | 1.156 | 0.936 | 7/8 - 20 UNEF |
| | 41.00 | 29.36 | 23.78 | |
| 16 | 1.614 | 1.281 | 1.061 | 1 - 20 UNEF |
| | 41.00 | 32.54 | 26.95 | |
| 18 | 1.614 | 1.391 | 1.186 | 1.3/16 - 18 NEF |
| | 41.00 | 35.33 | 30.13 | |
| 20 | 1.614 | 1.531 | 1.311 | 1.3/16 - 18 NEF |
| | 41.00 | 38-89 | 33.30 | |
| 22 | 1.614 | 1.656 | 1.436 | 1.7/16 - 18 NEF |
| | 41.00 | 42.06 | 36.75 | |
| 24 | 1.658 | 1.777 | 1.561 | 1.7116 - 18 NEF |
| | 42.11 | 45.14 | 39.65 | |

56T



62GB-56T(046)

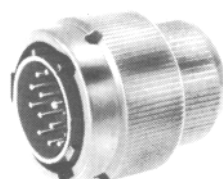
Box-mounting plug. Available for shell size 16:
other sizes to special order. Cable accessories
cannot be fitted.



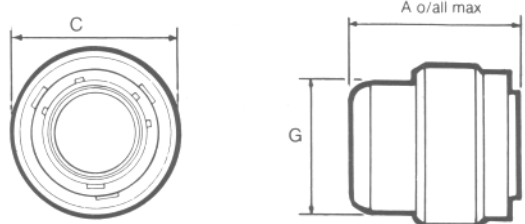
| Shell Size | A max | J max | K | L |
|------------|-------|-------|-------|---------|
| 16 | 1.042 | 1.317 | 1.000 | 6.32 NC |
| | 26.47 | 33.45 | 25.40 | |
| 20 | 1.042 | 1.625 | 1.250 | 6.32 NC |
| | 26.47 | 41.28 | 31.75 | |
| 22 | 1.042 | 1.625 | 1.250 | 6.32 NC |
| | 26.47 | 41.28 | 31.75 | |

Plugs

16E



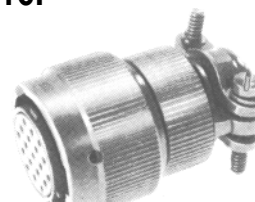
62GB-16E
MIL - C26482 MS3116E



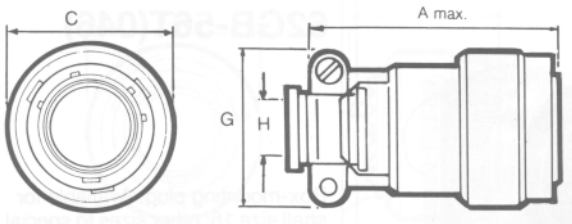
Plug with grommet and grommet nut

| Shell Size | A max | C max | G max |
|------------|-------|-------|--------|
| 08 | 1.281 | 0.750 | 0.561 |
| | 32.54 | 1.05 | 14.25 |
| 10 | 1.281 | 0.859 | 0.686 |
| | 32.54 | 21.82 | 17.431 |
| 12 | 1.281 | 1.031 | 0.811 |
| | 32.54 | 26.19 | 20.60 |
| 14 | 1.281 | 1.156 | 0.936 |
| | 32.54 | 29.36 | 23.78 |
| 16 | 1.281 | 1.281 | 1.061 |
| | 32.54 | 32.54 | 26.95 |
| 18 | 1.281 | 1.391 | 1.186 |
| | 32.54 | 35.33 | 30.13 |
| 20 | 1.281 | 1.531 | 1.311 |
| | 32.54 | 38.89 | 33.30 |
| 22 | 1.281 | 1.656 | 1.436 |
| | 32.54 | 42.06 | 36.75 |
| 24 | 1.281 | 1.777 | 1.561 |
| | 32.54 | 45.14 | 39.65 |

16F



62GB-16F
MIL - C26482 MS3116F

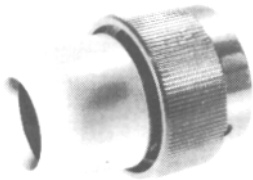


Plug with grommet and grommet nut fitted with integral strain relief clamp.

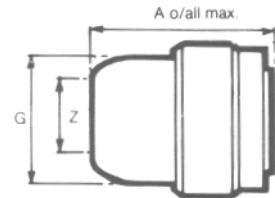
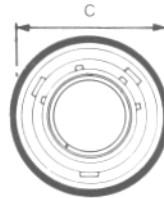
| Shell Size | A max | C dia max | G dia max | H ± 0.005 (± 0.13) |
|------------|-------|-----------|-----------|--------------------|
| 08 | 1.752 | 0.750 | 0.828 | 0.156 |
| | 44.50 | 19.05 | 21.03 | 3.96 |
| 10 | 1.752 | 0.859 | 0.891 | 0.188 |
| | 44.50 | 21.82 | 22.63 | 4.78 |
| 12 | 1.752 | 1.031 | 1.016 | 0.312 |
| | 44.50 | 26.19 | 25.81 | 7.93 |
| 14 | 1.726 | 1.156 | 1.141 | 0.375 |
| | 43.84 | 29.36 | 28.97 | 9.53 |
| 16 | 1.866 | 1.281 | 1.203 | 0.500 |
| | 47.40 | 32.54 | 30.56 | 12.70 |
| 18 | 1.866 | 1.391 | 1.426 | 0.625 |
| | 47.40 | 35.33 | 36.22 | 15.88 |
| 20 | 2.040 | 1.531 | 1.426 | 0.625 |
| | 51.81 | 38.89 | 36.22 | 15.88 |
| 22 | 2.040 | 1.656 | 1.567 | 0.750 |
| | 51.81 | 42.06 | 39.80 | 19.05 |
| 24 | 2.178 | 1.777 | 1.735 | 0.800 |
| | 55.32 | 45.14 | 44.07 | 20.32 |

Plugs

16P



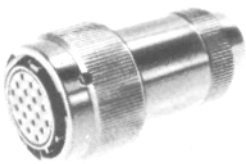
62GB-16P
MIL-C26482 MS3116P



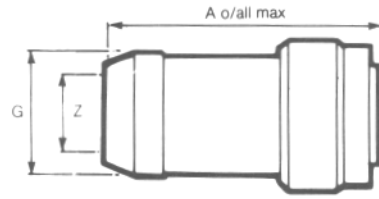
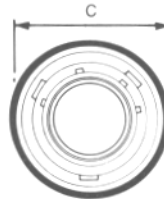
For potted seal. Supplied complete with detachable potting mould and location ring.

| Shell Size | A max | C max | G max | Z min |
|------------|----------------|----------------|----------------|----------------|
| 08 | 1.306 33.17 | 0.750 19.05 | 0.572 14.53 | 0.260 6.60 |
| 10 | 1.415 35.94 | 0.859 21.82 | 0.666 16.92 | 0.463 11.76 |
| 12 | 1.384 35.15 | 1.031 26.19 | 0.822 20.88 | 0.557 14.14 |
| 14 | 1.384 35.15 | 1.156 29.36 | 0.907 23.04 | 0.590 14.99 |
| 16 | 1.384 35.15 | 1.281 32.54 | 1.040 26.41 | 0.713 18.11 |
| 18 | 1.384 35.15 | 1.391 35.33 | 1.165 29.59 | 0.835 22.21 |
| 20 | 1.539 39.09 | 1.531 38.89 | 1.285 32.64 | 1.015 25.78 |
| 22 | 1.539 39.09 | 1.656 42.06 | 1.400 35.56 | 1.015 25.78 |
| 24 | 1.602 40.69 | 1.777 45.14 | 1.540 39.12 | 1.265 32.13 |

16J



62GB - 16J



Plug with cable clamp for unscreened jacketed cable. No grommet supplied.

| Shell Size | A max | C max | G max | Z min | Z max |
|------------|----------------|----------------|----------------|----------------|----------------|
| 08 | 1.836 46.64 | 0.750 19.05 | 0.561 14.25 | 0.168 4.28 | 0.230 5.84 |
| 10 | 1.836 46.64 | 0.859 21.82 | 0.686 17.43 | 0.205 5.21 | 0.312 7.93 |
| 12 | 1.937 49.20 | 1.031 26.19 | 0.811 20.60 | 0.388 8.59 | 0.442 11.23 |
| 14 | 2.137 54.28 | 1.156 29.36 | 0.936 23.78 | 0.416 10.57 | 0.539 13.69 |
| 16 | 2.337 59.36 | 1.281 32.54 | 1.061 26.95 | 0.550 13.97 | 0.616 15.65 |
| 18 | 2.537 64.45 | 1.391 35.33 | 1.186 30.13 | 0.600 15.24 | 0.672 17.07 |
| 20 | 2.758 70.05 | 1.531 38.89 | 1.311 33.30 | 0.635 16.13 | 0.747 18.98 |
| 22 | 2.958 75.13 | 1.656 42.06 | 1.436 36.75 | 0.670 17.02 | 0.846 21.49 |
| 24 | 3.002 76.25 | 1.777 45.14 | 1.561 39.65 | 0.740 18.80 | 0.894 22.71 |

Plugs

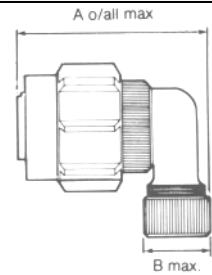
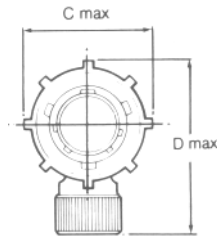
5039



62GB-5039-10

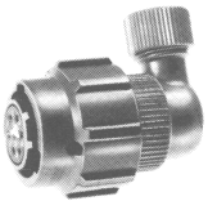
SD/C 235 155 - X
SD/C 235 156 - X

Low profile, solder termination plug with 90° screened cable outlet.



| Shell Size | A max | B max | C max | D max |
|------------|----------------|----------------|----------------|----------------|
| 10 | 1.473 37.41 | 0.500 12.70 | 0.980 24.89 | 1.500 38.10 |

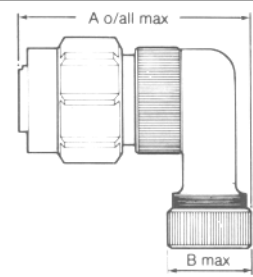
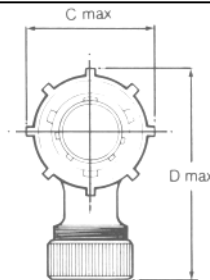
5055



62GB-5055-10

SD/2 235 193 - X

Low profile solder termination plug with size 12 90° screened cable outlet.



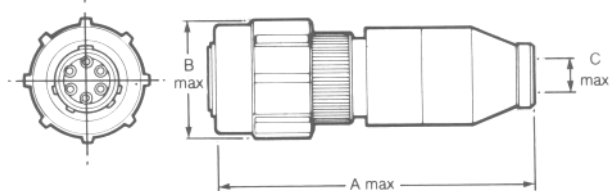
| Shell Size | A max | B max | C max | D max |
|------------|----------------|----------------|----------------|----------------|
| 10 | 1.800 45.72 | 0.655 16.64 | 0.980 24.89 | 1.800 45.72 |

5056



62GB-5056-10

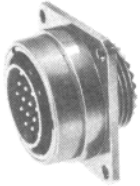
Audio plug with solder termination



| Shell Size | A max | B max | C max |
|------------|----------------|--------------------------------|---------------|
| 10 | 2.375 60.33 | 0.979 / 0.969 24.87 / 24.61 | 0.310 7.87 |

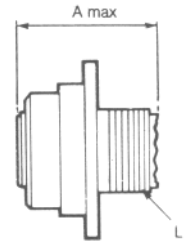
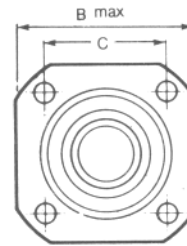
Plugs

5074



62GB-5074

Flange mounting push/pull plug with threaded shell to accept standard cable accessories.






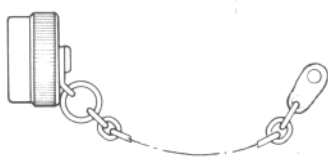



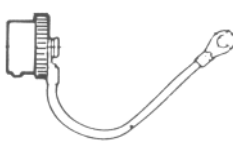

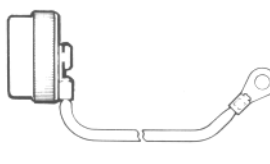




| Shell Size | A max | B max | C | L |
|------------|-------|-------|-------|---------------|
| 10 | 0.912 | 1.125 | 0.866 | 9/16 - 24 NEF |
| | 23.17 | 28.57 | 22.00 | |
| 12 | 0.912 | 1.218 | 0.969 | 9/16 - 24 NEF |
| | 23.17 | 30.93 | 24.61 | |
| 14 | 0.912 | 1.312 | 1.062 | 9/16 - 24 NEF |
| | 23.17 | 33.32 | 26.97 | |

Accessories

Table of Styles

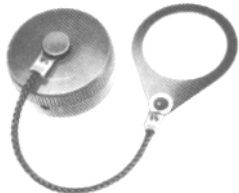
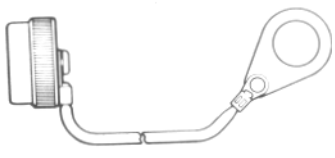





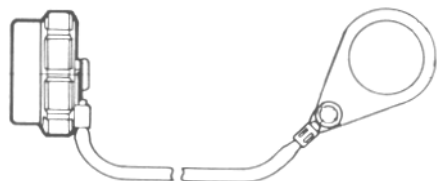


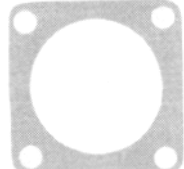
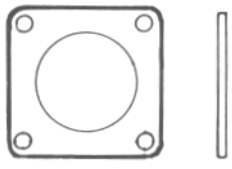
Page No.

| | | | |
|----------|---|--|----|
| 62GB-736 |  |  | 42 |
| 62GB-737 |  |  | 42 |
| 62GB-738 |  |  | 43 |
| 62GB-742 |  |  | 43 |
| 62GB-810 |  |  | 44 |
| 62GB-812 |  |  | 44 |
| 62GB-813 |  |  | 45 |

Accessories

Table of Styles

Page No.

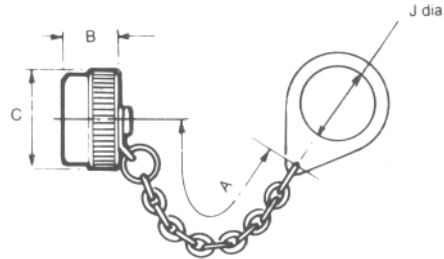
| | | | |
|-----------|---|--|----|
| 62GB-814 |  |  | 45 |
| 62GB-997 |  |  | 46 |
| 62GB-998 |  |  | 46 |
| 62GB-1069 |  |  | 47 |
| 62GB-1070 |  |  | 47 |
| 62GB-760 |  |  | 48 |

Accessories

736



62GB-736



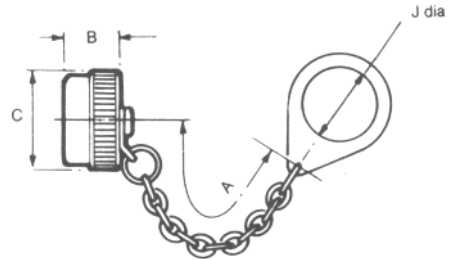
Caps and chains for single hole mounting receptacles

| Shell Size | A ± 0.25 (± 6.35) | B ± 0.005 (± 0.13) | C dia max | J ± 0.005 (± 0.127) |
|------------|-------------------------|--------------------------|-----------------|---------------------------|
| 08 | 3.0 | 0.521 | 0.734 | 0.578 |
| | 76.2 | 13.23 | 18.64 | 14.68 |
| 10 | 3.0 | 0.521 | 0.859 | 0.703 |
| | 76.2 | 13.23 | 21.82 | 17.86 |
| 12 | 3.5 | 0.521 | 1.000 | 0.891 |
| | 88.9 | 13.23 | 25.4 | 22.63 |
| 14 | 3.5 | 0.521 | 1.125 | 1.016 |
| | 88.9 | 13.23 | 28.57 | 25.81 |
| 16 | 3.5 | 0.521 | 1.250 | 1.141 |
| | 88.9 | 13.23 | 31.75 | 29.39 |
| 18 | 3.5 | 0.521 | 1.375 | 1.266 |
| | 88.9 | 13.23 | 34.92 | 32.16 |
| 20 | 4.0 | 0.521 | 1.500 | 1.391 |
| | 101.6 | 13.23 | 38.1 | 35.33 |
| 22 | 4.0 | 0.521 | 1.625 | 1.516 |
| | 101.6 | 13.23 | 41.27 | 38.51 |
| 24 | 4.0 | 0.556 | 1.750 | 1.641 |
| | 101.6 | 14.12 | 44.45 | 41.68 |

737



62GB-737



Caps and chains for cable mounting receptacles.

| Shell Size | A ± 0.25 (± 6.35) | B ± 0.005 (± 0.13) | C dia max | J ± 0.005 (± 0.127) |
|------------|-------------------------|--------------------------|-----------------|---------------------------|
| 08 | 3.0 | 0.521 | 0.734 | 0.458 |
| | 76.2 | 13.23 | 18.64 | 11.63 |
| 10 | 3.0 | 0.521 | 0.859 | 0.583 |
| | 76.2 | 13.23 | 21.82 | 14.81 |
| 12 | 3.5 | 0.521 | 1.000 | 0.708 |
| | 88.9 | 13.23 | 25.4 | 17.98 |
| 14 | 3.5 | 0.521 | 1.125 | 0.896 |
| | 88.9 | 13.23 | 28.57 | 22.76 |
| 16 | 3.5 | 0.521 | 1.250 | 1.021 |
| | 88.9 | 13.23 | 31.75 | 25.93 |
| 18 | 3.5 | 0.521 | 1.375 | 1.146 |
| | 88.9 | 13.23 | 34.92 | 29.11 |
| 20 | 4.0 | 0.521 | 1.500 | 1.271 |
| | 101.6 | 13.23 | 38.1 | 32.28 |
| 22 | 4.0 | 0.521 | 1.625 | 1.396 |
| | 101.6 | 13.23 | 41.27 | 35.46 |
| 24 | 4.0 | 0.556 | 1.750 | 1.521 |
| | 101.6 | 14.12 | 44.45 | 38.63 |

Accessories



62GB-738

Caps and chains for flange mounting receptacles.

| Shell Size | A ± 0.25 (± 6.35) | B ± 0.005 (± 0.13) | C dia max | J ± 0.005 (± 0.127) |
|------------|-------------------------|--------------------------|-----------------|---------------------------|
| 08 | 3.0 76.2 | 0.521 13.23 | 0.734 18.64 | 0.125 3.18 |
| 10 | 3.0 76.2 | 0.521 13.23 | 0.859 21.82 | 0.125 3.18 |
| 12 | 3.5 88.9 | 0.521 13.23 | 1.000 25.4 | 0.125 3.18 |
| 14 | 3.5 88.9 | 0.521 13.23 | 1.125 28.57 | 0.125 3.18 |
| 16 | 3.5 88.9 | 0.521 13.23 | 1.250 31.75 | 0.125 3.18 |
| 18 | 3.5 88.9 | 0.521 13.23 | 1.375 34.92 | 0.125 3.18 |
| 20 | 4.0 101.6 | 0.521 13.23 | 1.500 38.1 | 0.125 3.18 |
| 22 | 4.0 101.6 | 0.521 13.23 | 1.625 41.27 | 0.125 3.18 |
| 24 | 4.0 101.6 | 0.556 14.12 | 1.750 44.45 | 0.152 3.86 |



62GB-742

Caps and chains for plugs.

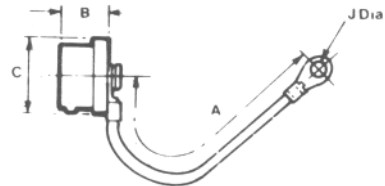
| Shell Size | A ± 0.25 (± 6.35) | B ± 0.005 (± 0.13) | C dia max | J ± 0.005 (± 0.127) |
|------------|-------------------------|--------------------------|-----------------|---------------------------|
| 08 | 3.0 76.2 | 0.522 13.25 | 0.719 18.26 | 0.125 3.18 |
| 10 | 3.0 76.2 | 0.522 13.25 | 0.844 21.43 | 0.125 3.18 |
| 12 | 3.5 88.9 | 0.522 13.25 | 1.000 25.4 | 0.125 3.18 |
| 14 | 3.5 88.9 | 0.522 13.25 | 1.125 28.57 | 0.125 3.18 |
| 16 | 3.5 88.9 | 0.522 13.25 | 1.250 31.75 | 0.125 3.18 |
| 18 | 3.5 88.9 | 0.522 13.25 | 1.357 34.92 | 0.125 3.18 |
| 20 | 4.0 101.6 | 0.584 14.83 | 1.500 38.1 | 0.125 3.18 |
| 22 | 4.0 101.6 | 0.584 14.83 | 1.625 41.27 | 0.125 3.18 |
| 24 | 4.0 101.6 | 0.617 15.67 | 1.750 44.45 | 0.152 3.86 |

Accessories

810



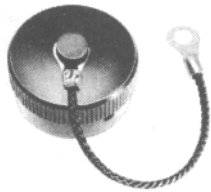
62GB-810



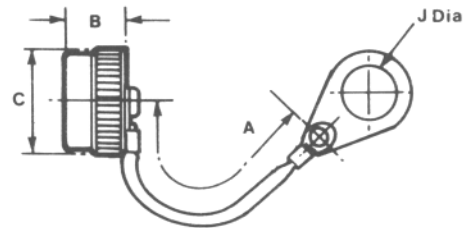
Caps and cords for plugs

| Shell Size | A ± 0.25 (± 6.35) | B ± 0.005 (± 0.13) | C dia max | J ± 0.003 (± 0.08) |
|------------|-------------------------|--------------------------|-----------------|--------------------------|
| 08 | 3.0 | 0.522 | 0.719 | 0.145 |
| | 76.2 | 13.25 | 18.26 | 3.68 |
| 10 | 3.0 | 0.522 | 0.844 | 3.685 |
| | 76.2 | 13.25 | 21.43 | 3.68 |
| 12 | 3.5 | 0.522 | 1.000 | 0.145 |
| | 88.9 | 13.25 | 25.4 | 3.68 |
| 14 | 3.5 | 0.522 | 1.125 | 0.145 |
| | 88.9 | 13.25 | 28.57 | 3.68 |
| 16 | 3.5 | 0.522 | 1.250 | 0.145 |
| | 88.9 | 13.25 | 31.75 | 3.68 |
| 18 | 3.5 | 0.522 | 1.375 | 0.145 |
| | 88.9 | 13.25 | 34.93 | 3.68 |
| 20 | 4.0 | 0.584 | 1.500 | 0.145 |
| | 101.6 | 14.83 | 38.1 | 3.68 |
| 22 | 4.0 | 0.584 | 1.625 | 0.145 |
| | 101.6 | 14.83 | 41.27 | 3.68 |
| 24 | 4.0 | 0.617 | 1.750 | 0.171 |
| | 101.6 | 15.67 | 44.45 | 4.34 |

812



62GB-812



Caps and cords for flange mounting receptacles.

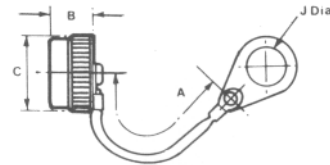
| Shell Size | A ± 0.25 (± 6.35) | B ± 0.005 (± 0.13) | C dia max | J ± 0.003 (± 0.08) |
|------------|-------------------------|--------------------------|-----------------|--------------------------|
| 08 | 3.0 | 0.521 | 0.734 | 0.145 |
| | 76.2 | 13.23 | 18.64 | 3.68 |
| 10 | 3.0 | 0.521 | 0.859 | 0.145 |
| | 76.2 | 13.23 | 21.82 | 3.68 |
| 12 | 3.5 | 0.521 | 1.000 | 0.145 |
| | 88.9 | 13.23 | 25.4 | 3.68 |
| 14 | 3.5 | 0.521 | 1.125 | 0.145 |
| | 88.9 | 13.23 | 28.57 | 3.68 |
| 16 | 3.5 | 0.521 | 1.250 | 0.145 |
| | 88.9 | 13.23 | 31.75 | 3.68 |
| 18 | 3.5 | 0.521 | 1.375 | 0.145 |
| | 88.9 | 13.23 | 34.92 | 3.68 |
| 20 | 4.0 | 0.521 | 1.500 | 0.145 |
| | 101.6 | 13.23 | 38.1 | 3.68 |
| 22 | 4.0 | 0.521 | 1.625 | 0.145 |
| | 101.6 | 13.23 | 41.27 | 3.68 |
| 24 | 4.0 | 0.556 | 1.750 | 0.171 |
| | 101.6 | 14.12 | 44.45 | 4.34 |

Accessories

813



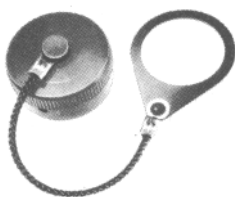
62GB-813



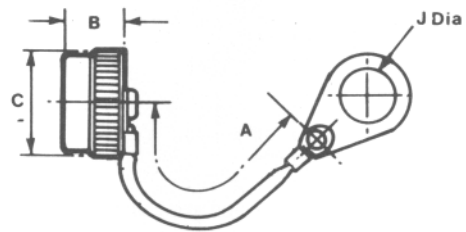
Caps and cords for single hole mounting receptacles.

| Shell Size | A ± 0.25 (± 6.35) | B ± 0.005 (± 0.13) | C max | J + 0.010 (+ 0.25) |
|------------|-------------------------|--------------------------|----------|--------------------------|
| 08 | 3.0 | 0.521 | 0.734 | 0.578 |
| | 76.2 | 13.23 | 18.64 | 14.68 |
| 10 | 3.0 | 0.521 | 0.859 | 0.703 |
| | 76.2 | 13.23 | 21.82 | 17.86 |
| 12 | 3.5 | 0.521 | 1.000 | 0.891 |
| | 88.9 | 13.23 | 25.4 | 22.63 |
| 14 | 3.5 | 0.521 | 1.125 | 1.016 |
| | 88.9 | 13.23 | 28.57 | 25.81 |
| 16 | 3.5 | 0.521 | 1.250 | 1.141 |
| | 88.9 | 13.23 | 31.75 | 29.39 |
| 18 | 3.5 | 0.521 | 1.375 | 1.266 |
| | 88.9 | 13.23 | 34.92 | 32.16 |
| 20 | 4.0 | 0.521 | 1.500 | 1.391 |
| | 101.0 | 13.23 | 38.1 | 35.33 |
| 22 | 4.0 | 0.521 | 1.625 | 1.516 |
| | 101.6 | 13.23 | 41.27 | 38.56 |
| 24 | 4.0 | 0.556 | 1.750 | 1.641 |
| | 101.6 | 14.12 | 44.45 | 41.68 |

814



62GB-814



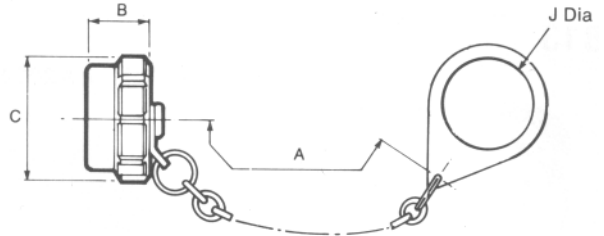
Caps and cords for cable mounting receptacles.

| Shell Size | A ± 0.25 (± 6.35) | B ± 0.005 (± 0.13) | C max | J + 0.010 (+ 0.25) |
|------------|-------------------------|--------------------------|----------|--------------------------|
| 08 | 3.0 | 0.521 | 0.734 | 0.453 |
| | 76.2 | 13.23 | 18.64 | 11.50 |
| 10 | 3.0 | 0.521 | 0.859 | 0.578 |
| | 76.2 | 13.23 | 21.82 | 14.64 |
| 12 | 3.5 | 0.521 | 1.000 | 0.703 |
| | 88.9 | 13.23 | 25.4 | 17.85 |
| 14 | 3.5 | 0.521 | 1.125 | 0.891 |
| | 88.9 | 13.23 | 28.57 | 22.63 |
| 16 | 3.5 | 0.521 | 1.250 | 1.016 |
| | 88.9 | 13.23 | 31.75 | 25.80 |
| 18 | 3.5 | 0.521 | 1.375 | 1.141 |
| | 88.9 | 13.23 | 34.92 | 28.98 |
| 20 | 4.0 | 0.521 | 1.500 | 1.266 |
| | 101.6 | 13.23 | 38.1 | 32.15 |
| 22 | 4.0 | 0.521 | 1.625 | 1.391 |
| | 101.6 | 13.23 | 41.27 | 35.33 |
| 24 | 4.0 | 0.556 | 1.750 | 1.516 |
| | 101.6 | 14.12 | 44.45 | 38.50 |

Accessories

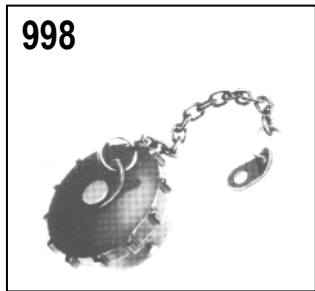


62GB-997

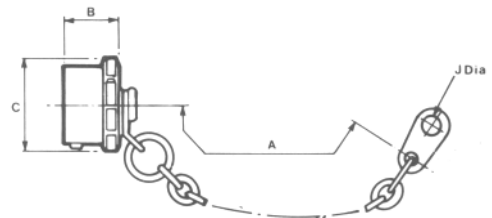


Caps and chains ribbed for single hole mounting receptacles.

| Shell Size | A ± 0.25 (± 6.35) | B ± 0.005 (± 0.13) | C dia max | J + 0.010 (+ 0.25) |
|------------|-------------------------|--------------------------|-----------------|--------------------------|
| 08 | 3.0 76.2 | 0.521 13.23 | 0.892 22.66 | 0.578 14.69 |
| 10 | 3.0 76.2 | 0.521 13.23 | 1.017 26.84 | 0.703 17.86 |
| 12 | 3.5 88.9 | 0.521 13.23 | 1.142 29.01 | 0.891 22.64 |
| 14 | 3.5 88.9 | 0.521 13.23 | 1.267 32.19 | 1.016 25.81 |
| 16 | 3.5 88.9 | 0.521 13.23 | 1.454 36.94 | 1.141 28.99 |
| 18 | 3.5 88.9 | 0.521 13.23 | 1.563 39.70 | 1.266 32.16 |
| 20 | 4.0 101.6 | 0.521 13.23 | 1.687 42.85 | 1.391 35.34 |
| 22 | 4.0 101.6 | 0.521 13.23 | 1.797 45.65 | 1.516 38.51 |
| 24 | 4.0 101.6 | 0.556 14.12 | 1.922 48.82 | 1.641 41.69 |



62GB-998



Caps and chains ribbed for plugs.

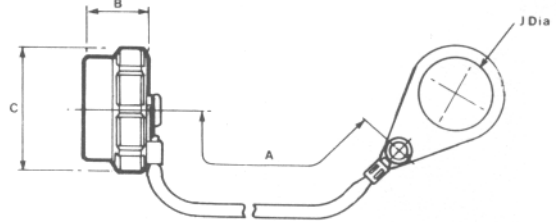
| Shell Size | A ± 0.25 (± 6.35) | g max | C dia max | J ± 0.005 (± 0.13) |
|------------|-------------------------|----------------|-----------------|--------------------------|
| 08 | 3.0 76.2 | 0.562 14.28 | 0.892 22.66 | 0.125 3.18 |
| 10 | 3.0 76.2 | 0.562 14.28 | 1.017 25.84 | 0.125 3.18 |
| 12 | 3.5 88.9 | 0.562 14.28 | 1.142 29.01 | 0.125 3.18 |
| 14 | 3.5 88.9 | 0.562 14.28 | 1.267 32.19 | 0.125 3.18 |
| 16 | 3.5 88.9 | 0.562 14.28 | 1.454 36.94 | 0.125 3.18 |
| 18 | 3.5 88.9 | 0.562 14.28 | 1.563 39.70 | 0.125 3.18 |
| 20 | 4.0 101.6 | 0.624 15.85 | 1.687 42.85 | 0.125 3.18 |
| 22 | 4.0 101.6 | 0.624 15.85 | 1.797 45.65 | 0.125 3.18 |
| 24 | 4.0 101.6 | 0.624 15.85 | 1.922 48.82 | 0.147 3.74 |

Accessories

1069



62GB-1069



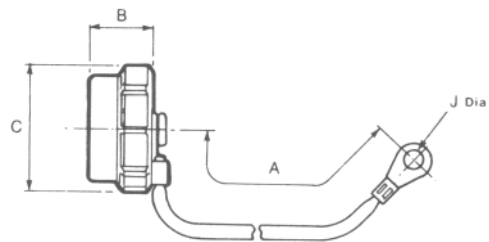
Caps and cords ribbed for single hole mounting receptacles.

| Shell Size | A ± 0.25 (± 6.35) | B ± 0.005 (± 0.13) | C dia max | J + 0.010 (+ 0.25) |
|------------|-------------------------|--------------------------|-----------------|--------------------------|
| 08 | 3.0 | 0.521 | 0.892 | 0.578 |
| | 76.2 | 13.23 | 22.66 | 14.69 |
| | 8.0 | 0.521 | 1.017 | 0.703 |
| 10 | 76.2 | 13.23 | 26.84 | 17.86 |
| | 3.5 | 0.521 | 1.142 | 0.891 |
| 12 | 88.9 | 13.23 | 29.01 | 22.64 |
| | 3.5 | 0.521 | 1.267 | 1.016 |
| 14 | 88.9 | 13.23 | 32.19 | 25.81 |
| | 3.5 | 0.521 | 1.454 | 1.141 |
| 16 | 88.9 | 13.23 | 36.94 | 28.99 |
| | 3.5 | 0.521 | 1.563 | 1.266 |
| 18 | 88.9 | 13.23 | 39.70 | 32.16 |
| | 4.0 | 0.521 | 1.687 | 1.391 |
| 20 | 101.6 | 13.23 | 42.85 | 35.34 |
| | 4.0 | 0.521 | 1.797 | 1.516 |
| 22 | 101.6 | 13.23 | 45.65 | 38.51 |
| | 4.0 | 0.556 | 1.922 | 1.641 |
| 24 | 101.6 | 14.12 | 48.82 | 41.686 |

1070



62GB-1070

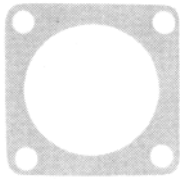


Caps and cords ribbed for flange mounting receptacles.

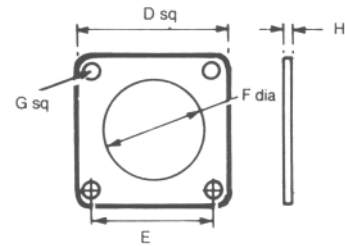
| Shell Size | A ± 0.25 (± 6.35) | B ± 0.005 (± 0.13) | C Dia max | J ± 0.005 (± 0.13) |
|------------|-------------------------|--------------------------|-----------------|--------------------------|
| 08 | 3.0 | 0.521 | 0.892 | 0.117 |
| | 76.2 | 13.23 | 22.66 | 3.03 |
| | 3.0 | 0.521 | 1.017 | 0.119 |
| 10 | 76.2 | 13.23 | 22.66 | 3.03 |
| | 3.5 | 0.521 | 1.142 | 0.119 |
| 12 | 88.9 | 13.23 | 29.01 | 3.03 |
| | 3.5 | 0.521 | 1.267 | 0.119 |
| 14 | 88.9 | 13.23 | 32.19 | 3.03 |
| | 3.5 | 0.521 | 1.454 | 0.119 |
| 16 | 88.9 | 13.23 | 36.94 | 3.03 |
| | 3.5 | 0.521 | 1.563 | 0.119 |
| 18 | 88.9 | 13.23 | 39.70 | 3.03 |
| | 4.0 | 0.521 | 1.687 | 0.119 |
| 20 | 101.6 | 13.23 | 42.85 | 3.03 |
| | 4.0 | 0.521 | 1.797 | 0.119 |
| 22 | 101.6 | 13.23 | 45.65 | 3.03 |
| | 4.0 | 0.556 | 1.922 | 0.147 |
| 24 | 101.6 | 14.12 | 48.82 | 3.74 |

Accessories

760



62GB-760






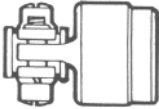



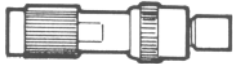

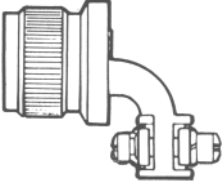

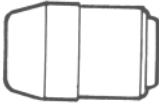

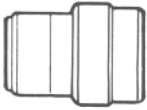
Flange mounting gasket for box mounting and hermetic receptacles.

| Shell Size | 0 ± 0.010 (± 0.254) | E ± 0.010 (± 0.254) | F ± 0.008 (± 0.20) | G + 0.010 (+ 0.254) | H |
|------------|---------------------------|---------------------------|--------------------------|---------------------------|---------------|
| 08 | 0.812 | 0.594 | 0.508 | 0.130 | 0.042 / 0.016 |
| | 20.62 | 15.08 | 12.90 | 3.30 | 1.06 / 0.40 |
| 10 | 0.938 | 0.719 | 0.633 | 0.130 | 0.042 / 0.016 |
| | 23.82 | 18.26 | 16.07 | 3.30 | 1.06 / 0.40 |
| 12 | 1.031 | 0.813 | 0.758 | 0.130 | 0.042 / 0.016 |
| | 26.18 | 20.65 | 19.25 | 3.30 | 1.06 / 0.40 |
| 14 | 1.125 | 0.906 | 0.883 | 0.130 | 0.042 / 0.016 |
| | 28.57 | 23.01 | 22.42 | 3.30 | 1.06 / 0.40 |
| 16 | 1.219 | 0.969 | 1.008 | 0.130 | 0.042 / 0.016 |
| | 30.96 | 24.61 | 25.60 | 3.30 | 1.06 / 0.40 |
| 18 | 1.312 | 1.063 | 1.133 | 0.130 | 0.042 / 0.016 |
| | 33.32 | 27.00 | 28.77 | 3.30 | 1.06 / 0.40 |
| 20 | 1.438 | 1.156 | 1.258 | 0.130 | 0.042 / 0.016 |
| | 36.52 | 29.36 | 31.95 | 3.30 | 1.06 / 0.40 |
| 22 | 1.563 | 1.250 | 1.383 | 0.130 | 0.042 / 0.016 |
| | 39.70 | 31.75 | 35.13 | 3.30 | 1.06 / 0.40 |
| 24 | 1.688 | 1.375 | 1.508 | 0.156 | 0.042 / 0.016 |
| | 42.87 | 34.92 | 38.30 | 3.96 | 1.06 / 0.40 |

Cable Accessories

Table of Styles


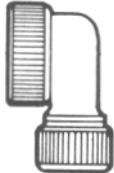

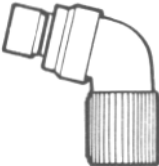
Page No.

| | | | |
|----------|---|--|----|
| 62GB-584 |  |  | 51 |
| 62GB-585 |  |  | 51 |
| 62GB-586 |  |  | 52 |
| 62GB-587 |  |  | 52 |
| 62GB-711 |  |  | 53 |
| 62GB-720 |  |  | 53 |
| 62GB-776 |  |  | 54 |

Cable Accessories

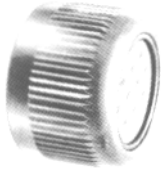
Table of Styles

Page No.

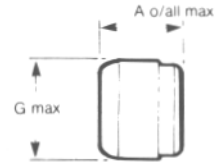
| | | | |
|-----------|--|---|----|
| 62GB-1225 |  |  | 54 |
| 62GB-5028 |  |  | 55 |

Cable Accessories

584



62GB - 584 - XX - XXS or P



Grommet seal and nut. Provides an environmental seal for the exposed solder buckets in the open back class T shells.

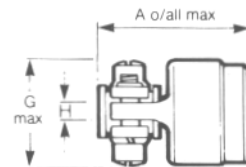
Suffix XX - XXS or P enables grommet to be matched to the insert arrangement.

| Shell Size | A | G max |
|------------|-------|-------|
| 08 | 0.545 | 0.561 |
| | 13.84 | 14.25 |
| 10 | 0.545 | 0.686 |
| | 13.84 | 17.43 |
| 12 | 0.545 | 0.811 |
| | 13.84 | 20.60 |
| 14 | 0.545 | 0.936 |
| | 13.84 | 23.78 |
| 16 | 0.545 | 1.061 |
| | 13.84 | 26.95 |
| 18 | 0.545 | 1.186 |
| | 13.84 | 30.13 |
| 20 | 0.545 | 1.311 |
| | 13.84 | 33.30 |
| 22 | 0.545 | 1.436 |
| | 13.84 | 36.75 |
| 24 | 0.501 | 1.561 |
| | 12.73 | 39.65 |

585



**62G B - 585 - XX - XXS or P
A2103**



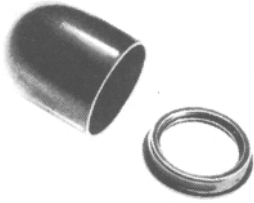
Grommet and nut with strain relief clamp. The clamp prevents the flexing of the wires in the immediate vicinity of the risers, so avoiding the risk of leaks.

Suffix XX - XXS or P enables grommet to be matched to the insert arrangement.

| Shell Size | A max | G max | max |
|------------|-------|-------|-------|
| 08 | 0.991 | 0.828 | 0.161 |
| | 25.17 | 21.03 | 4.09 |
| 10 | 0.991 | 0.891 | 0.193 |
| | 25.17 | 22.63 | 4.90 |
| 12 | 0.991 | 1.016 | 0.317 |
| | 25.17 | 25.81 | 8.05 |
| 14 | 0.965 | 1.141 | 0.380 |
| | 24.51 | 28.98 | 9.65 |
| 16 | 1.105 | 1.203 | 0.505 |
| | 28.07 | 30.56 | 12.83 |
| 18 | 1.105 | 1.426 | 0.630 |
| | 28.07 | 36.22 | 16.00 |
| 20 | 1.285 | 1.426 | 0.630 |
| | 32.64 | 36.22 | 16.00 |
| 22 | 1.285 | 1.567 | 0.755 |
| | 32.64 | 39.80 | 19.18 |
| 24 | 1.373 | 1.735 | 0.805 |
| | 34.88 | 44.07 | 20.45 |

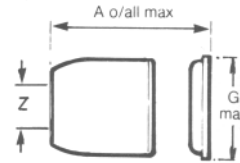
Cable Accessories

586



62G B - 586 - XX

Potting mould and ring,
supplied together as a set.



Suffix XX specifies shell size.

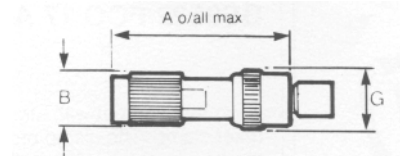
| Shell Size | A max | G max | Z min |
|------------|----------------|----------------|----------------|
| 08 | 0.644 16.36 | 0.585 14.85 | 0.260 6.60 |
| 10 | 0.753 19.13 | 0.679 17.24 | 0.463 11.76 |
| 12 | 0.722 18.34 | 0.835 21.20 | 0.557 14.14 |
| 14 | 0.722 18.34 | 0.913 23.19 | 0.590 14.98 |
| 16 | 0.722 18.34 | 1.038 26.36 | 0.713 18.11 |
| 18 | 0.722 18.34 | 1.163 29.54 | 0.835 21.20 |
| 20 | 0.877 22.30 | 1.288 32.71 | 1.015 25.78 |
| 22 | 0.877 22.30 | 1.413 35.89 | 1.015 25.78 |
| 24 | 0.896 22.76 | 1.538 39.06 | 1.263 32.08 |

587



62G B - 587 - XX - XXS or P

Clamp for screened jacketed cable. 62 Series only with grommet. Effective sealing is provided over the range of cables covered by DEF 10(Pattern C) and DEF STAN 61-12 port (see table). These are supplied to separate order only for use with style T shells.



Suffix XX-XXS or P enables grommet to be matched to the insert arrangement.

| Shell Size | length Including plug | A Max | length Including receptacle | B max | G max |
|------------|-----------------------|-------|-----------------------------|----------------|----------------|
| 08 | 2.732 69.39 | | 2.742 69.64 | 0.676 17.17 | 0.775 19.68 |
| 10 | 2.742 69.64 | | 2.752 69.90 | 0.676 17.17 | 0.902 22.91 |
| 12 | 3.152 80.06 | | 3.162 80.31 | 0.812 20.62 | 1.030 26.16 |
| 14 | 3.152 80.06 | | 3.162 80.31 | 0.926 23.52 | 1.157 29.39 |
| 16 | 3.272 83.10 | | 3.282 83.36 | 1.051 26.67 | 1.284 32.61 |
| 18 | - | | - | - | - |
| 20 | 3.272 83.10 | | 3.345 84.96 | 1.280 32.51 | 1.539 39.09 |
| 22 | - | | - | - | - |
| 24 | 3.696 93.87 | | 3.768 95.70 | 1.620 41.15 | 1.783 45.29 |

Cable Accessories

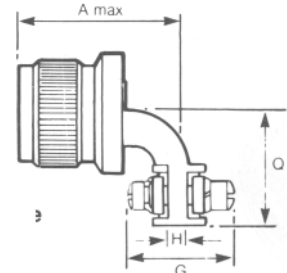
711



62G B - 711 - XX - XXS or P

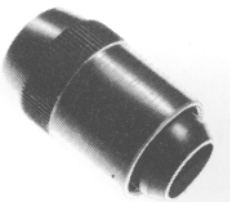
Grommet and nut with right angled strain relief clamp. The clamp prevents flexing of the wires in the immediate vicinity of the risers, so avoiding the risk of leaks (these are supplied to separate order only for use with style T shells).

Suffix XX - XXS or P enables grommet to be matched to the insert arrangement.



| Shell Size | A max | G max | H ± 0.005 ± 0.13 | Q max |
|------------|---------|----------------|------------------------|----------------|
| 08 | 1.5/32 | 0.828 21.03 | 0.161 4.09 | 0.733 18.62 |
| 10 | 1.3/16 | 0.891 22.63 | 0.193 4.90 | 0.795 20.19 |
| 12 | 1.7/32 | 1.016 25.81 | 0.317 8.05 | 0.858 21.79 |
| 14 | 1.1/4 | 1.141 28.98 | 0.380 9.65 | 0.915 23.24 |
| 16 | 1.5/16 | 1.203 30.56 | 0.505 12.83 | 1.010 25.65 |
| 18 | 1.3/8 | 1.426 36.22 | 0.630 16.00 | 1.070 27.18 |
| 20 | 1.3/8 | 1.426 36.22 | 0.630 16.00 | 1.140 28.96 |
| 22 | 1.29/64 | 1.567 39.80 | 0.755 19.18 | 1.170 29.72 |
| 24 | 1.15/32 | 1.735 44.07 | 0.805 20.45 | 1.260 32.00 |

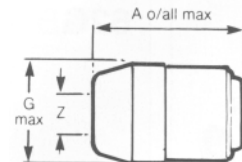
720



62G B - 720 - XX

Clamp for unscreened jacketed cable. No grommet is supplied, for use with 50T, 51T and 56T styles.

Suffix XX specifies shell size.



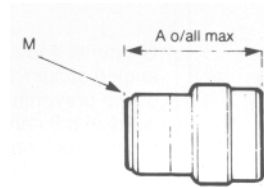
| Shell Size | A max | G max | Z closed | Z free |
|------------|----------------|----------------|----------------|----------------|
| 08 | 1.085 27.56 | 0.561 14.25 | 0.168 4.28 | 0.230 5.84 |
| 10 | 1.060 26.92 | 0.686 17.43 | 0.205 5.21 | 0.312 7.93 |
| 12 | 1.160 29.46 | 0.811 20.60 | 0.338 8.59 | 0.442 11.23 |
| 14 | 1.360 34.54 | 0.936 23.78 | 0.416 10.57 | 0.539 13.69 |
| 16 | 1.585 40.26 | 1.061 26.95 | 0.550 13.97 | 0.616 15.65 |
| 18 | 1.785 45.34 | 1.186 30.13 | 0.600 15.24 | 0.672 17.57 |
| 20 | 1.981 50.32 | 1.311 33.30 | 0.635 16.13 | 0.747 18.98 |
| 22 | 2.181 55.39 | 1.436 36.75 | 0.670 17.02 | 0.846 21.49 |
| 24 | 2.216 56.28 | 1.561 39.65 | 0.740 18.80 | 0.894 22.71 |

Cable Accessories

776



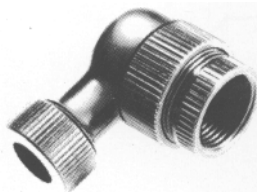
62GB - 776



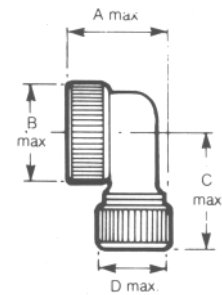
General duty shell to accept conduit, AN 3057 or MS 3057 A cable clamps and heat shrink sleeves.

| Shell Size | A max | M Thread |
|------------|----------------|-----------------|
| 08 | 0.937 23.80 | 1/2 - 28 UNEF |
| 10 | 0.937 23.80 | 5/8 - 24 NEF |
| 12 | 0.937 23.80 | 3/4 - 20 UNEF |
| 14 | 0.937 23.80 | 7/8 - 20 UNEF |
| 16 | 0.937 23.80 | 1 - 20 UNEF |
| 18 | 0.937 23.80 | 1.3/16 - 18 NEF |
| 20 | 0.937 23.80 | 1.3/16 - 18 NEF |
| 22 | 0.937 23.80 | 1.7/16 - 18 NEF |
| 24 | 0.937 23.80 | 1.7/16 - 18 NEF |

1225



62GB - 1225



90 clamp for screened jacketed cable. These are supplied to separate order only for use with style T shells.

| Shell Size | A max | B max | C max | D max |
|------------|----------------|----------------|----------------|----------------|
| 08 | 0.942 23.93 | 0.821 20.85 | 1.160 29.46 | 0.636 16.15 |
| 10 | 0.883 22.43 | 0.821 20.85 | 1.160 29.46 | 0.636 16.15 |
| 12 | 0.704 17.88 | 0.821 20.85 | 1.160 29.46 | 0.636 16.15 |
| 14 | 1.119 28.42 | 0.937 23.80 | 1.160 29.46 | 0.636 16.15 |

Cable Accessories

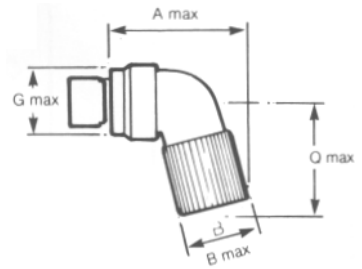
5028



62G B - 5028 - XX - XXS or P

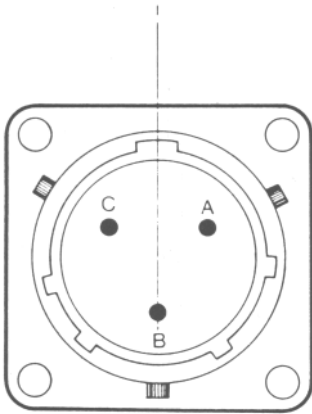
75% Clamp for screened jacketed cable with grommet. Effective sealing is provided over the range of cables covered by DEF 10 (Pattern C) and DEF STAN 61 - 12 part 5 (see table). These are supplied to separate order only and are intended for use with style T shells.

Suffix XX-XXS or P enables grommet to be matched to the insert arrangement.

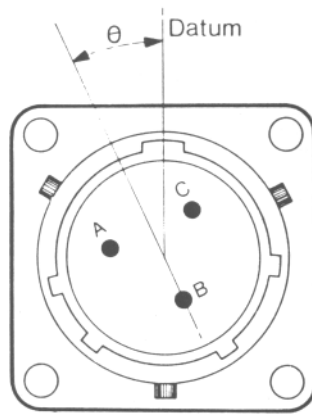


| Shell Size | length including receptacle | A Max | length including plug | B max | G max | max |
|------------|-----------------------------|-------|-----------------------|-------|-------|-------|
| 08 | 2.416 | | 2.375 | 0.676 | 0.775 | 1.750 |
| | 61.37 | | 60.24 | 17.17 | 19.68 | 44.45 |
| 10 | 2.573 | | 2.532 | 0.676 | 0.902 | 1.875 |
| | 65.35 | | 64.39 | 17.17 | 22.91 | 47.63 |
| 12 | 2.666 | | 2.625 | 0.812 | 1.030 | 2.125 |
| | 67.72 | | 66.68 | 20.62 | 26.16 | 53.98 |
| 14 | 2.760 | | 2.719 | 0.926 | 1.157 | 2.125 |
| | 70.10 | | 69.04 | 23.52 | 29.39 | 53.98 |
| 16 | 2.790 | | 2.750 | 1.051 | 1.284 | 2.062 |
| | 70.87 | | 69.80 | 26.70 | 32.61 | 52.38 |
| 18 | - | | - | - | - | - |
| 20 | 3.312 | | 3.250 | 1.280 | 1.539 | 2.062 |
| | 84.13 | | 82.55 | 32.51 | 39.09 | 52.38 |
| 22 | - | | - | - | - | - |
| 24 | 3.500 | | 3.375 | 1.620 | 1.783 | 2.187 |
| | 88.90 | | 85.73 | 41.15 | 45.29 | 55.55 |

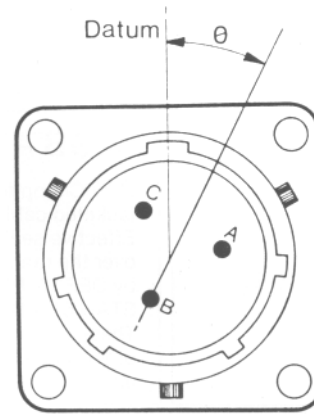
Insert Orientations



Normal position
with pin contacts



Alternative position of insert
with socket contacts
(∅ counter clockwise)

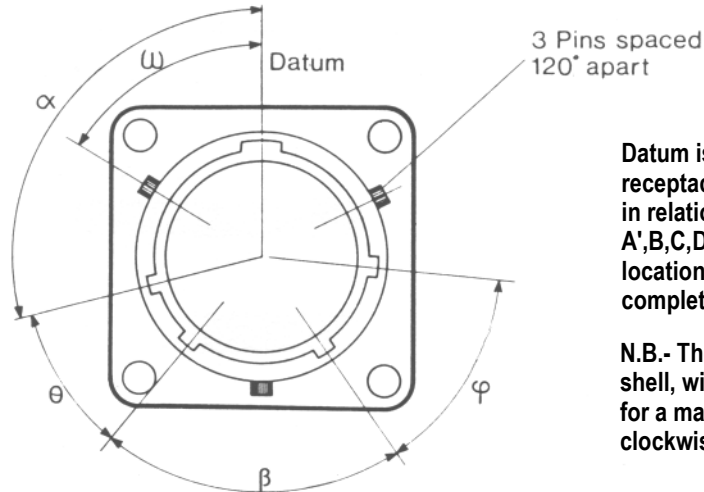


Alternate position of insert
with pin contacts
(∅ clockwise)

Each diagram shows mating face of insert.

| Insert Arrangement | Normal | Orientation ∅ (degrees) | | | |
|--------------------|--------|-------------------------|-----|-----|-----|
| | | W | X | Y | Z |
| 8-2 | 0 | 58 | 122 | - | - |
| 8-3 | 0 | 60 | 210 | - | - |
| 8-33 | 0 | 90 | - | - | - |
| 8-4 | 0 | 45 | - | - | - |
| 8-98 | 0 | - | - | - | - |
| 10-2 | 0 | - | - | - | - |
| 10-6 | 0 | 90 | - | - | - |
| 10-7 | 0 | - | - | - | - |
| 12-3 | 0 | - | - | 180 | - |
| 12-10 | 0 | 60 | 155 | 270 | 295 |
| 14-5 | 0 | 40 | 92 | 184 | 273 |
| 14-12 | 0 | 43 | 90 | - | - |
| 14-15 | 0 | 17 | 110 | 155 | 234 |
| 14-19 | 0 | 30 | 165 | 315 | - |
| 16-18 | 0 | 54 | 152 | 180 | 331 |
| 16-23 | 0 | 158 | 270 | - | - |
| 16-26 | 0 | 60 | - | 275 | 338 |
| 18-11 | 0 | 62 | 119 | 241 | 340 |
| 18-32 | 0 | 85 | 138 | 222 | 265 |
| 20-16 | 0 | 238 | 318 | 333 | 347 |
| 20-41 | 0 | 45 | 126 | 225 | - |
| 22-21 | 0 | 16 | 135 | 175 | 349 |
| 22-55 | 0 | 30 | 142 | 226 | 314 |
| 24-61 | 0 | 90 | 180 | 270 | 324 |

Key/Keyway Orientations



Datum is always taken from major key or keyway. In receptacles the major keyway always remains fixed in relation to the mounting flange. For the A',B,C,D',E and F orientations, the three bayonet locations and associated minor keyways are rotated complete, in accordance with the table below.

N.B.- The accompanying diagram shows a receptacle shell, with keyways. Corresponding key orientations for a mating plug shell are therefore always clockwise.

| Shell Size | Values for α (degrees) | | | | | | | Values for θ (degrees) | | | | | | Values for β (degrees) | | | | | | | |
|------------|-------------------------------|-----|----|-----|-----|-----|-----|-------------------------------|----|----|----|----|----|------------------------------|----|-----|----|-----|----|-----|----|
| | N | A | B | C | D | E | F | N | A | B | C | D | E | F | N | A | B | C | D | E | F |
| 8 | 105 | 92 | - | - | 118 | 118 | 82 | 35 | 35 | - | - | 35 | 30 | 50 | 75 | 75' | - | - | 75 | 100 | 75 |
| 10 | 105 | 95 | 85 | 125 | 115 | 115 | 85 | 35 | 35 | 35 | 35 | 35 | 30 | 50 | 75 | 75 | 75 | 75 | 75 | 100 | 75 |
| 12 | 105 | 97 | 89 | 121 | 113 | 115 | 85 | 35 | 35 | 35 | 35 | 35 | 30 | 50 | 75 | 75 | 75 | 75 | 75 | 100 | 75 |
| 14 | 105 | 98 | 91 | 119 | 112 | 75 | 120 | 35 | 35 | 35 | 35 | 35 | 30 | 50 | 75 | 75 | 75 | 75 | 75 | 100 | 75 |
| 16 | 105 | 99 | 93 | 117 | 111 | 75 | 120 | 35 | 35 | 35 | 35 | 35 | 30 | 50 | 75 | 75 | 75 | 75 | 75 | 100 | 75 |
| 18 | 105 | 100 | 95 | 115 | 110 | 75 | 120 | 35 | 35 | 35 | 35 | 35 | 30 | 50 | 75 | 75 | 75 | 75 | 75 | 100 | 75 |
| 20 | 105 | 100 | 95 | 115 | 110 | 75 | 120 | 35 | 35 | 35 | 35 | 35 | 30 | 50 | 75 | 75 | 75 | 75 | 75 | 100 | 75 |
| 22 | 105 | 101 | 97 | 113 | 109 | 75 | 120 | 35 | 35 | 35 | 35 | 35 | 30 | 50 | 75 | 75 | 75 | 100 | 75 | 75 | 75 |
| 24 | 105 | 101 | 97 | 113 | 109 | 75 | 120 | 35 | 35 | 35 | 35 | 35 | 30 | 50 | 75 | 75 | 75 | 75 | 75 | 100 | 75 |

| Shell Size | Values for ϕ (degrees) Orientation | | | | | | | Values for ω (degrees) Orientation | | | | | | |
|------------|---|----|----|----|----|----|----|---|----|----|----|----|----|----|
| | N | A | B | C | D | E | F | N | A | B | C | D | E | F |
| 8 | 50 | 50 | 50 | 50 | 50 | 30 | 45 | 60 | 47 | - | - | 73 | 73 | 47 |
| 10 | 50 | 50 | 50 | 50 | 50 | 30 | 45 | 60 | 50 | 40 | 80 | 70 | 70 | 50 |
| 12 | 50 | 50 | 50 | 50 | 50 | 30 | 45 | 60 | 52 | 44 | 76 | 68 | 70 | 50 |
| 14 | 50 | 50 | 50 | 50 | 50 | 30 | 35 | 60 | 53 | 46 | 74 | 67 | 30 | 75 |
| 16 | 50 | 50 | 50 | 50 | 50 | 30 | 35 | 60 | 54 | 48 | 72 | 66 | 30 | 75 |
| 18 | 50 | 50 | 50 | 50 | 50 | 30 | 35 | 60 | 55 | 50 | 70 | 65 | 30 | 75 |
| 20 | 50 | 50 | 50 | 50 | 50 | 30 | 35 | 60 | 55 | 50 | 70 | 65 | 30 | 75 |
| 22 | 50 | 50 | 50 | 50 | 50 | 30 | 35 | 60 | 56 | 52 | 68 | 64 | 30 | 75 |
| 24 | 50 | 50 | 50 | 50 | 50 | 30 | 35 | 60 | 56 | 52 | 68 | 64 | 30 | 75 |

Assembly Instructions

for Amphenol straight S.J. clamps 62GB-587 for internally and externally screened and unscreened cables to DEF 10 and DEF STAN 61-12 Part 5.

Internally Screened Jacketed Cable 'Type C'

Cable and Wire Stripping

Strip the outer P.V.C. Jacket of the cable back to dim 'A' to expose the internal braid. Trim the braid back to within 19.05mm (0.75 in) of P.V.C. jacket and fold back 'B'.

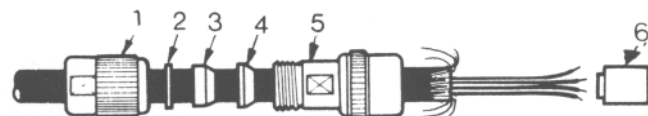
| Size | A Dimension | |
|---------|-------------|-------|
| | mm | in |
| 08 | 34.93 | 1.375 |
| 10 | 36.51 | 1.437 |
| 12 8 14 | 41.27 | 1.625 |
| 16 & 20 | 44.45 | 1.75 |
| 24 | 49.21 | 1.937 |

Strip 5.3mm (0.210 in) to 6.1 mm (0.240 in) of insulation from each wire to expose centre conductor. Tin the ends. If ends fray twist them back to their original lay before tinning.



Initial Assembly

Slide onto the cable the following items in this order (1) Nut (2) Washer (3) Gasket (4) Braid Clamp and (5) Clamp Body (6) Grommet.



Solder Connection to Contacts

Insert the individual wires into the appropriate grommet holes. At the same time, slide the grommet back as far as possible until the tinned ends of the centre conductors are far enough out of the grommet to permit soldering to the contacts. Insert the tinned ends of wires into the appropriate contacts in 62 series connector and solder into place. Slide the grommet forward over the wired contacts and press firmly into rear of connector shell and against rear face of insert.



Assembly Instructions

Externally Screened Jacketed Cable Types 'B' & 'Q'

Cable and Wire Stripping

Strip the outer braid and internal P.V.C. jacket of the cable back to dim 'A'

| Size | A Dimension | |
|---------|-------------|-------|
| | mm | in |
| 08 | 33.32 | 1.312 |
| 10 | 34.93 | 1.375 |
| 12 & 14 | 39.7 | 1.563 |
| 16 & 20 | 42.85 | 1.687 |
| 24 | 47.63 | 1.875 |

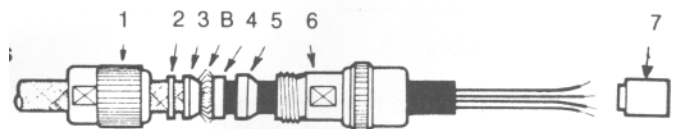


Strip 5.3mm (0.210 in) to 6.1 mm (0.240 in) of insulation from each wire to expose centre conductor. Tin the ends. If ends fray twist them back to their original lay before tinning.



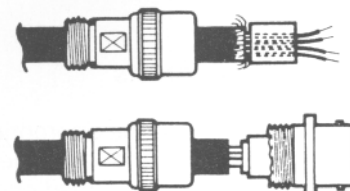
Initial Assembly

Slide onto the cable the following items in this order (1) Nut (2) Washer (3) Male Braid Clamp Convolute Screen (See B) as far as possible, and slide on items (4) Female Braid Clamp (5) Gasket and (6) Clamp Body (7) Grommet



Solder Connection to Contacts

Insert the individual wires into the appropriate grommet holes. At the same time, slide the grommet back as far as possible, until the tinned ends of the centre conductors are far enough out of the grommet to permit soldering to the contacts. Insert the tinned ends of wires into the appropriate contacts in 62 series connector and solder into place. Slide the grommet forward over the wired contacts and press firmly into the rear of connector shell and against rear face of insert.



Unscreened Jacketed Cables Type 'A'

All procedures concerning this type of cable to be as for internally screened jacketed cable, but all references to screen (Braid) to be disregarded.

Assembly Instructions

for Amphenol angled S.J. clamps 62GB-5028 for internally and externally screened and unscreened cables to DEF 10 and DEF STAN 61-12 Part 5.

Internally Screened Jacketed Cable Type 'C'

Cable and Wire Stripping

Strip the outer P.V.C. jacket of the cable back to dim 'A' to expose the internal braid. Trim the braid back to within 19.05mm (0.75 in) of P.V.C. jacket and fold back 'B'.

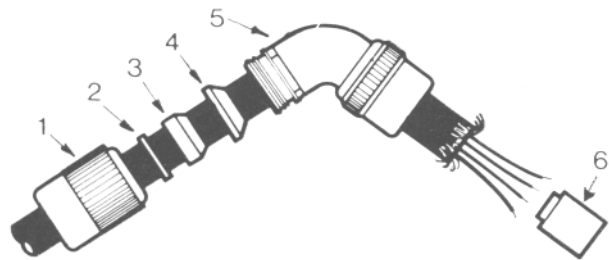
| Size | A Dimension | |
|----------|-------------|-------|
| | mm | in |
| 08 | 58.15 | 2.89 |
| 10,12,14 | 66.68 | 2.625 |
| 16 | 69.85 | 2.75 |
| 20 | 88.9 | 3.50 |
| 24 | 95.25 | 3.75 |



Strip 5.3mm (0.210 in) to 6.1 mm (0.240 in) of insulation from each wire to expose centre conductor. Tin the ends. If ends fray, twist them back to their original lay before tinning.

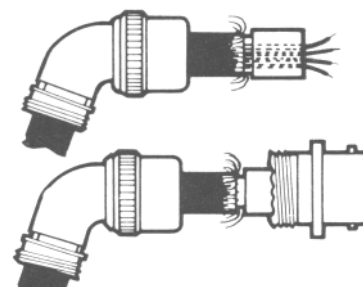
Initial Assembly

Slide onto the cable the following items in this order (1) Nut (2) Washer (3) Gasket (4) Braid Clamp (5) 75o Angled Body (6) Grommet.



Solder Connection to Contacts

Insert the individual wires into the appropriate grommet holes. At the same time, slide the grommet back as far as possible, until the tinned ends of the centre conductors are far enough out of the grommet to permit soldering to the contacts. Insert the tinned ends of wires into the appropriate contacts in 62 series connector and solder into place. Slide the grommet forward over the wired contacts and press firmly into the rear of the connector shell and against rear face of insert.



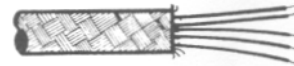
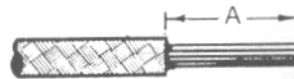
Assembly Instructions

Externally Screened Jacketed Cables Type `B' & `Q'

Cable and Wire Stripping

Strip the outer braid and internal P.V.C. jacket of the cable back to dim `A'.

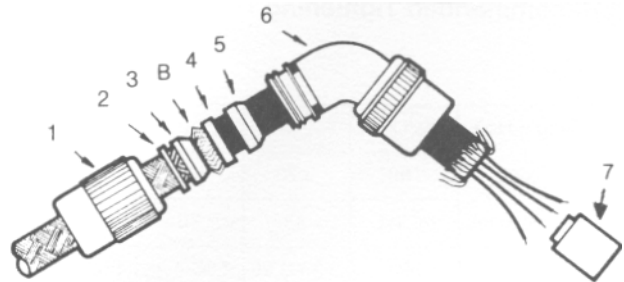
| Size | A Dimension | |
|----------|-------------|-------|
| | mm | in |
| 08 | 58.15 | 2.89 |
| 10,12,14 | 66.68 | 2.625 |
| 16 | 69.85 | 2.75 |
| 20 | 88.9 | 3.50 |
| 24 | 95.25 | 3.75 |



Strip 5.3mm (0.210 in) to 6.1 mm (0.240 in) of insulation from each wire to expose centre conductor Tin the ends. If ends fray, twist them back to their original lay before tinning.

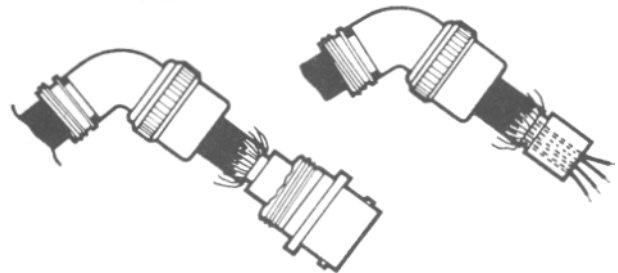
Initial Assembly

Slide onto the cable the following items in this order:(1) Nut (2) Washer (3) Male Braid Clamp - Convolute Screen (See B) as far as possible and slide on items:(4) Female Braid Clamp (5) Gasket (6) 75o Right Angled Body (7) Grommet.



Solder Connection to Contacts

Insert the individual wires into the appropriate grommet holes. At the same time, slide the grommet back as far as possible, until the tinned ends of the centre conductors are far enough out of the grommet to permit soldering to the contacts. Insert the tinned ends of wires into the appropriate contacts in 62 series connector and solder into place. Slide the grommet forward over the wired contacts and press firmly into the rear of connector shell and against rear face of insert.



Unscreened Jacketed Cables Type `A'

All procedures concerning this type of cable to be as for internally screened jacketed cable, but all references to screen (Braid) to be disregarded.

Assembly Instructions

Wire Stripping

Strip 5.3mm (0.210 in) to 6.1 mm (.240 in) of insulation from end of wires to expose centre conductor and tin the ends. If ends fray, twist them back to their original lay before tinning.

Wire Accommodation

| Contact Size | Colour Code | Wire Seal and Conductor | | | | | |
|--------------|-------------|-------------------------|-----------|-----------|-----------|-----------|--------|
| | | Wire Insulation | | | | Conductor | |
| | | min. ins. | dia. (mm) | max. ins. | dia. (mm) | max. dia. | |
| 20 | Red | 0.047 | (1.19) | 0.085 | (2.16) | 0.042 | (1.07) |
| 16 | Blue | 0.066 | (1.68) | 0.109 | (2.77) | 0.062 | (1.57) |

Recommended Tightening Torques

| Single Hole Fixing | Shell Size | 8 | 10 | 12 | 14 | 16 | 18 | 20 | 22 | 24 |
|--------------------|------------|-----------|-----------|-----------|-----------|-----------|-----------|-----------|------------|------------|
| | Nm | 3.73 | 4.07 | 6.78 | 7.34 | 8.25 | 9.26 | 11.98 | 13.90 | 15.03 |
| Receptacles | lbf. ins. | 33 | 36 | 60 | 65 | 73 | 82 | 106 | 123 | 133 |
| | Nm | 3.39-3.96 | 3.96-4.52 | 4.52-5.09 | 5.09-5.65 | 5.65-6.78 | 6.78-7.91 | 8.48-9.04 | 9.61-10.17 | 10.74-11.3 |
| Accessories | lbf. ins. | 30-35 | 35-40 | 40-45 | 45-50 | 55-60 | 65-70 | 75-80 | 85-90 | 95-100 |

Notice: Products are sold subject to Amphenol's Standard Conditions of Sale. All specifications and statements contained herein are believed to be correct at the time of printing but no representation or warranty, express or implied, is given as to any specification or statement contained herein. Product specifications including performance characteristics are typical only and subject to deviation. Specifications are also subject to change without notice. Users should not assume that all safety measures are indicated or that other measures may not be required. No representation or warranty, express or implied, is given that any use of products (including any stated or suggested use) does not infringe any patent, registered design or other third party rights and no stated or suggested use of products can be taken to recommend any such infringement.

Amphenol

**Thanet Way,
Whitstable,
Kent, CT5 3JF
Tel: 01227 773200
Fax: 01227 276571
info@amphenol.co.uk
www.amphenol.co.uk**

X-ON Electronics

Largest Supplier of Electrical and Electronic Components

Click to view similar products for [Circular MIL Spec Connector](#) category:

Click to view products by [Amphenol](#) manufacturer:

Other Similar products are found below :

[0025-262-542](#) [0025-264-3014](#) [58-570121-04S](#) [0134-202-1200](#) [0134-207-1206](#) [0134-207-1800](#) [0134-207-2207](#) [0134-213-0806](#) [0134-213-1007](#) [0134-213-1009](#) [0134-213-1208](#) [0134-213-1800](#) [0134-213-2209](#) [0025-258-000](#) [015-9516-002](#) [60-042722-19P](#) [0114-201-1278](#) [602GB06EG24-61SN](#) [0134-201-1207](#) [0134-201-1806](#) [0134-201-2006](#) [0134-201-2007](#) [0134-201-2010](#) [0134-202-1400](#) [0134-207-0809](#) [0134-207-1208](#) [0134-207-2009](#) [0134-213-1006](#) [6104-207-2302](#) [6104-208-1902](#) [6131-202-19149P](#) [6131-204-21149P](#) [6131-207-13149P](#) [6131-208-13149P](#) [6131-209-17149P](#) [6131-210-11149P](#) [6131-211-19149P](#) [6131-216-19149P](#) [6131-220-25149P](#) [6131-259-11149P](#) [6131-259-21149P](#) [6131-259-23149P](#) [6131-263-19149P](#) [6131-265-17149P](#) [6131-265-19149P](#) [CS3102A-20-15P](#) [CS3102A-20-15S](#) [CS3102C18-4P-472](#) [CS3106A-20-29P](#) [CS3106A-20-74P](#)