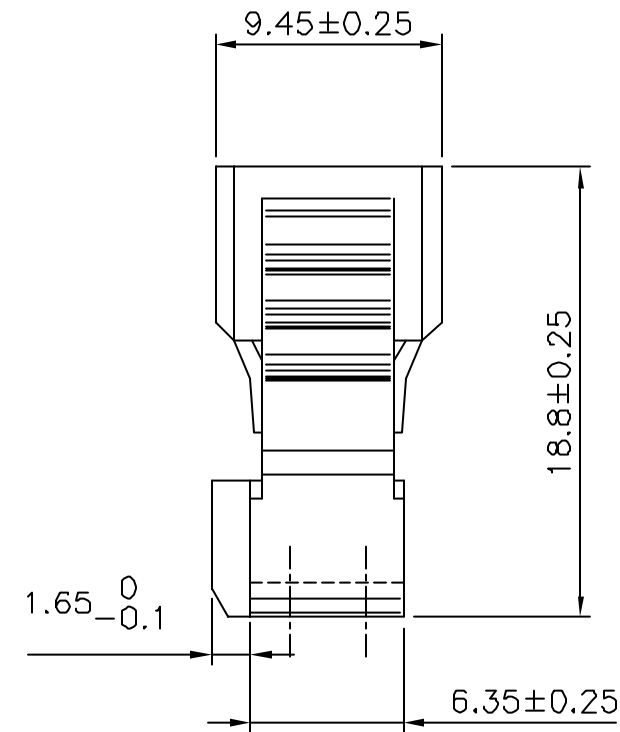
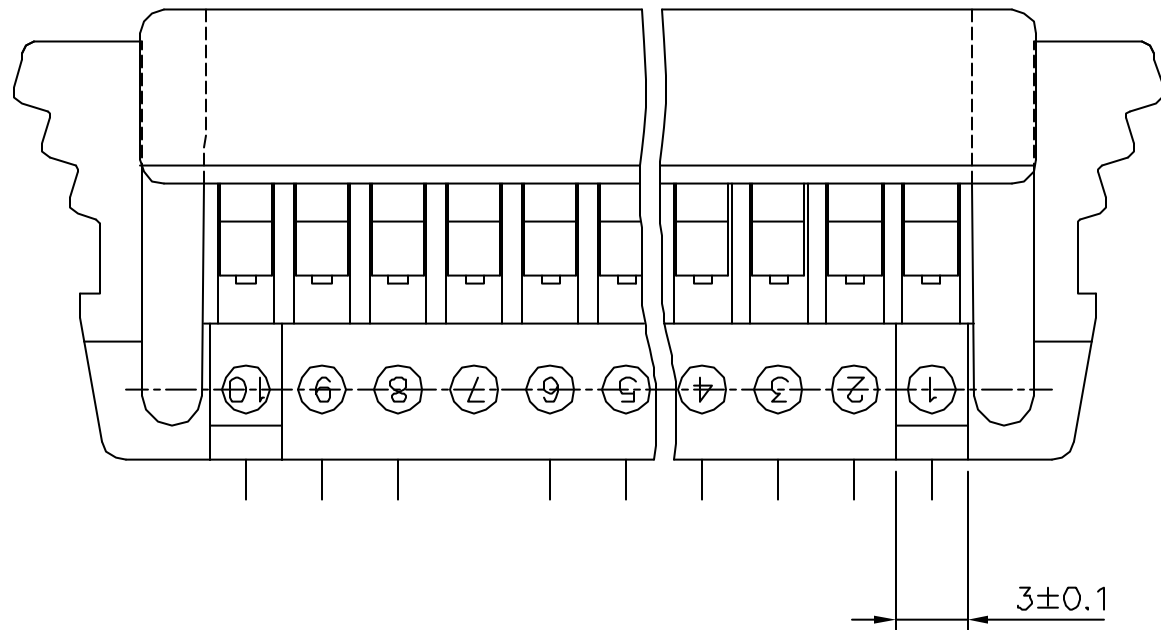


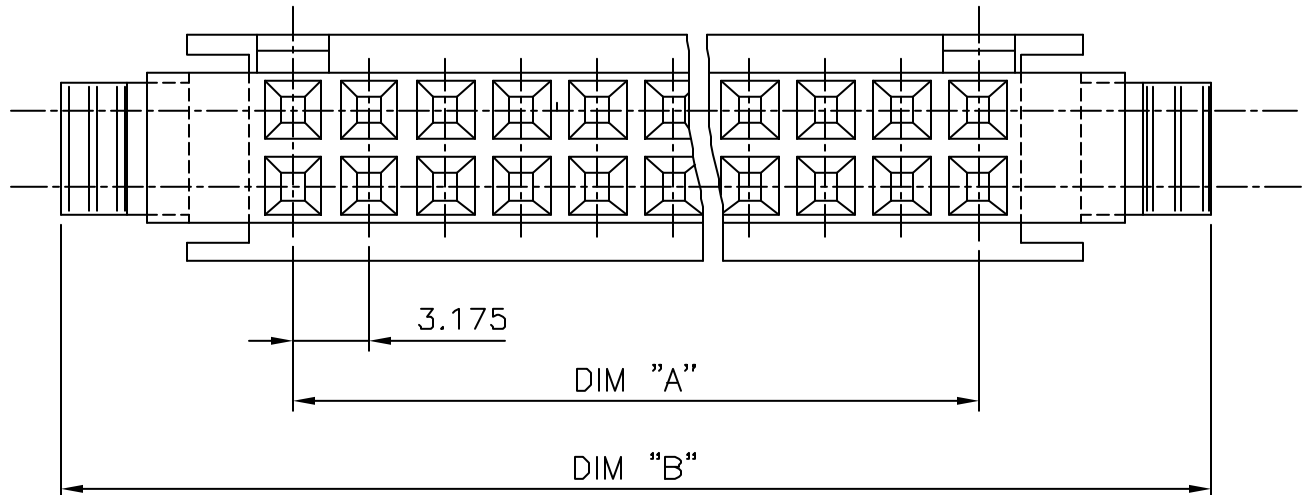
| PRODUCT NUMBER | NB OF POS | DIM "A" | DIM "B" | POLARIZED POSITIONS |    |
|----------------|-----------|---------|---------|---------------------|----|
| 65258-001(LF)  | 2 x 06    | 15.87   | 34.87   | 1                   | 6  |
| 65258-002(LF)  | 2 x 07    | 19.05   | 38.05   | 1                   | 7  |
| 65258-003(LF)  | 2 x 10    | 28.57   | 47.57   | 1                   | 10 |
| 65258-004(LF)  | 2 x 12    | 34.92   | 53.92   | 1                   | 12 |
| 65258-005(LF)  | 2 x 04    | 9.52    | 28.52   | 1                   | 4  |

WHEN NEEDED, SUFFIX LETTER "LF" INDICATES THE PRODUCT IS RoHS COMPLIANT, SEE NOTE 4



NOTES:

- 1 - PLASTIC MATERIAL: POLYAMID 25% GLASSFILLED , COLOR BLACK FLAME RETARDANT PER UL 94-V0.
  - 2 - THIS HOUSING TO BE USED IN COMBINATION WITH BERG MAXI PV TERMINAL ACCORDING TO CRIMPING METHODS DESCRIBED ON DWG 65258 215 SHEET 1/1.
  - 3 - THIS CONNECTOR TO BE MATE WITH BERG HEADER 76427-YXX OR 77432-YXX
  - 4 - RoHS COMPATIBLE PRODUCT SPECIFICATIONS
    - a - LABELING:
      - MEETS PACKAGING SPECS AS PER GS-14-920
    - b - LEGAL STATEMENT: SEE GS-22-008
- THE PRODUCT IS NOT INTENDED TO BE EXPOSED TO A MANUFACTURING SOLDER PROCESS.



|             |  |          |  |                 |  |            |  |                         |  |
|-------------|--|----------|--|-----------------|--|------------|--|-------------------------|--|
| mat'l. code |  | surface  |  | tolerance       |  | projection |  | product family          |  |
| SEE NOTE 1  |  | ISO 1302 |  | ISO 406 ISO 101 |  | mm         |  | BERGCON                 |  |
| ltr         |  | ecn no   |  | dr              |  | date       |  | title                   |  |
| D           |  | BNL5909  |  | AOO             |  | 84.12.03   |  | POLARIZED               |  |
| E           |  | F60696   |  | JMC             |  | 96.10.04   |  | MAXI LATCH HOUSING      |  |
| F           |  | F05-0235 |  | DLE             |  | 05.08.24   |  | scale 3:1               |  |
| G           |  | F05-0286 |  | DLE             |  | 05.11.07   |  | dr COMPAGNON J 96.02.08 |  |
| H           |  | F06-0218 |  | DLE             |  | 06.07.11   |  | engr JMC 96.02.08       |  |
|             |  |          |  |                 |  |            |  | chr                     |  |
|             |  |          |  |                 |  |            |  | appd JMC 96.02.08       |  |
| sheet       |  | revision |  |                 |  |            |  | dwg no                  |  |
| index       |  | sheet    |  |                 |  |            |  | 65258                   |  |
|             |  |          |  |                 |  |            |  | sheet 1 of 1            |  |
|             |  |          |  |                 |  |            |  | size                    |  |
|             |  |          |  |                 |  |            |  | A3                      |  |
|             |  |          |  |                 |  |            |  | type                    |  |
|             |  |          |  |                 |  |            |  | CUSTOMER Drawing        |  |



Copyright FCI

## X-ON Electronics

Largest Supplier of Electrical and Electronic Components

*Click to view similar products for [Headers & Wire Housings](#) category:*

*Click to view products by [Amphenol](#) manufacturer:*

Other Similar products are found below :

[892-18-020-10-001101](#) [58102-G61-06LF](#) [582553-1](#) [0009485154](#) [009176003701906](#) [0050291907](#) [LY20-4P-DT1-P1E-BR](#) [02.125.8002.8](#)  
[609-3404](#) [61062-3](#) [622-0430](#) [622-3653LF](#) [63453-116](#) [636-1030](#) [636-1427](#) [636-3427](#) [636-4007](#) [641938-9](#) [641991-4](#) [644827-2](#) [65817-010LF](#)  
[65817-015LF](#) [65863-015LF](#) [66207-023LF](#) [67095-007LF](#) [67601157](#) [68648-049](#) [70.362.1628.0](#) [70-4210](#) [70-4226B](#) [70-4853B](#) [707-5020](#) [707-](#)  
[5028](#) [71.350.2428.0](#) [71918-208LF](#) [71961-016LF](#) [733-134](#) [733-162](#) [754199-000](#) [760-3052](#) [787-8014-00](#) [79531-3000](#) [FCN-360C032-B](#) [FCN-](#)  
[367T-T012/H](#) [FCN-723D010/2](#) [80.063.4001.1](#) [800-90-001-10-001000](#) [800-90-010-10-002000](#) [801-43-002-10-013000](#) [801-43-006-10-002000](#)