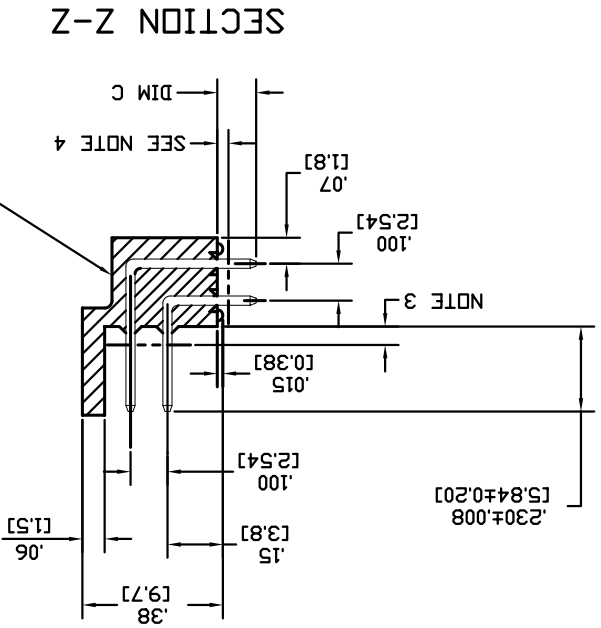
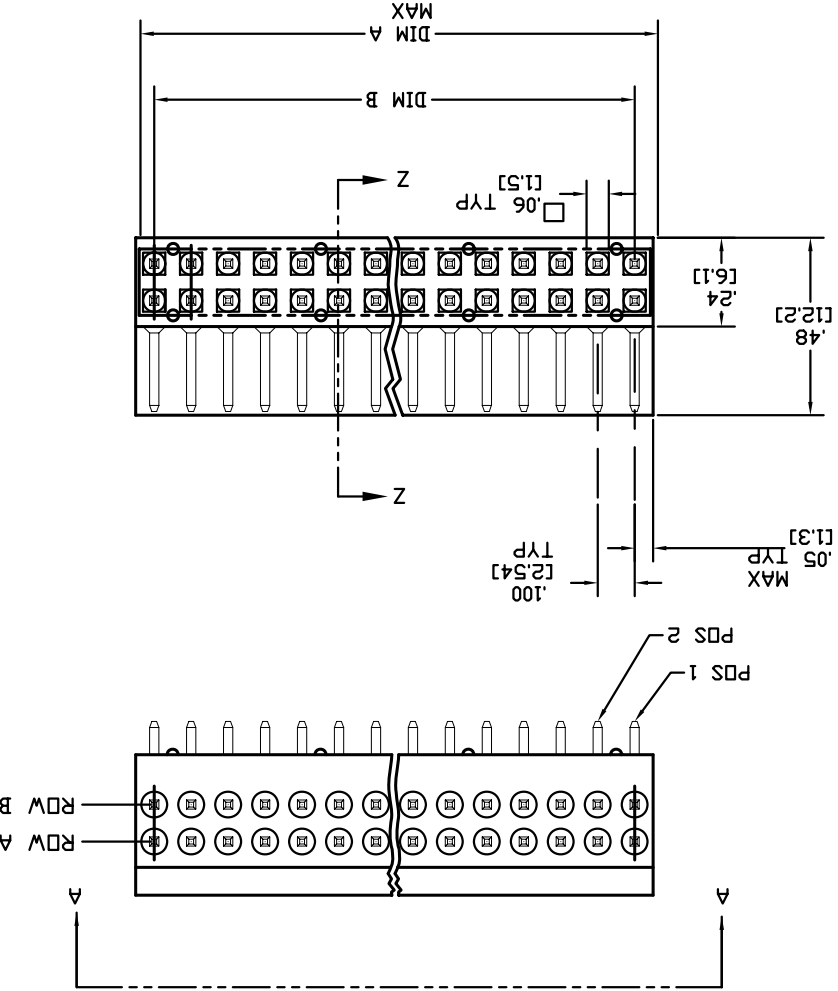




PRODUCT NO.  
SEE TABLE

STYLE P  
SHOWN THIS SHEET



mat'l. code		NOTE 1		ltr	ecn no	dr	date	tolerances unless otherwise specified		CUSTOMER COPY		FCI		www.fciconnect.com	
AK	V03-0413	GJP	4-14-03	linear	3-29-90	AK	XXXX.005/XXX.13	linear	XXXX.005/XXX.13	projection	TOP SHIELDED RIGHT ANGLE HEADER	product family	HEADERS	code	213
AL	V05-0891	DM	10/10/05	angles	0 ±.2	dr	R SEPLE 3-30-90	dr	R SEPLE 3-30-90	INCH/MM	2:1	product family	HEADERS	code	213
		engr	H SUNDY 3-30-90	engr	H SUNDY 3-30-90	chr	H SUNDY 3-30-90	chr	H SUNDY 3-30-90	scale	2:1	product family	HEADERS	code	213
		appd	H SUNDY 3-30-90	appd	H SUNDY 3-30-90	AL	AL	AL	AL	sheet	1 of 4	product family	HEADERS	code	213
index	revision	AL	AL	AL	AL	AL	AL	AL	AL	sheet	1 of 4	product family	HEADERS	code	213

1 | 2

1 | 2

ACAD

PDM: Rev:AL

STATUS: Released

22526  
cage code

4

4

B

A

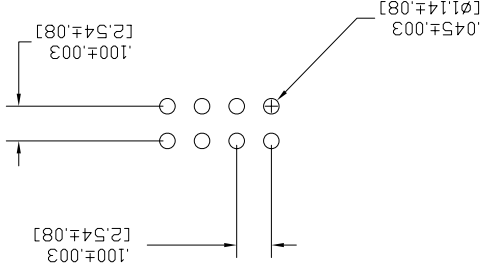
3

3

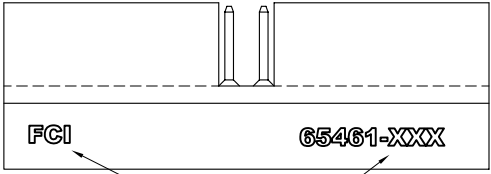


PRODUCT NO.  
SEE TABLE

**RECOMMENDED HOLE PATTERN**



**VIEW A-A**  
**STYLE M**  
**SCALE 5:1**



SEE NOTE 8

matl. code		NOTE 1		tolerances unless otherwise specified	
ltr	ecn no	dr	date	.XX±.01/.X±.3	.XXX±.05/.XX±.13
AL				linear	.XXX±.020/.XXX±.051
				angles	0° ±2'
		dr		R SEIPL	3-30-90
		engr		H SUNDY	3-30-90
		chr		H SUNDY	3-30-90
		opdd		H SUNDY	3-30-90
sheet	revision				
index					

- NOTES:
- MOLDING MATERIAL, GLASS FILLED 30 % MIN POLYESTER, FLAME RETARDANT UL 94-0 COLOR - BLACK. THIS PRODUCT WILL WITHSTAND EXPOSURE TO 260°C TEMPERATURE FOR 15 SECONDS IN A WAVE SOLDER APPLICATION WITH A .06 [1.5mm] THICK PCB. TERMINAL MATERIAL, .0250±.0015/.635±.038 SQUARE 3/4 HARD PHOSPHOR BRONZE ALLOY UNS CS1000. PLATING SEE TABULATION
  - .05/1.3 MAX HIGH FLASH
  - .03/8 MAX FLASH.
  - TWO SIDES OF LEAD-IN ON PINS NOT PLATED. TYPICAL BOTH ENDS.
  - UL RECOGNIZED PRODUCT.
  - GXT PA/NI PLATED PRODUCT HAS GOLD FLASH.
  - FCI LOGO AND PART NUMBER ON THIS SURFACE WHEN POSSIBLE.
  - ADD SUFFIX LF AT THE END OF PART NUMBER FOR LEAD FREE OPTION.
  - THIS PRODUCT MEETS EUROPEAN UNION DIRECTIVES AND OTHER COUNTRY REGULATIONS AS DESCRIBED IN GS-22-008.
  - THIS PRODUCT MAY HAVE 100% TIN PLATING IN THE INTERFACE AND HAS NOT BEEN TESTED FOR WHISKER GROWTH IN INTERCONNECT ENVIRONMENTS.

22526  
cage code

4

4



PRODUCT NO	NO OF POS	DIM A	DIM B	DIM C	OVERPLATING	UNDERPLATING	STYLE	POSITIONS POLARIZED	LF OPTION
65461-001	2x8	.800/20.32	.700/17.78	.09/2.3	30u"/.76u GOLD	50u"/1.27u NICKEL	P	NDNE	↓
-002	2x9	.900/22.86	.800/20.32				P		↓
-003	2x10	1.000/25.40	.900/22.86				M		↓
-004	2x12	1.200/30.48	1.100/27.94				P		↓
-005	2x13	1.300/33.02	1.200/30.48				M		↓
-006	2x17	1.700/43.18	1.600/40.64				M		↓
-007	2x20	2.000/50.80	1.900/48.26				M		↓
-008	2x25	2.500/63.50	2.400/60.96				M		↓
-009	2x8	.800/20.32	.700/17.78		150u"/3.81u TIN		P		↓
-010	2x9	.900/22.86	.800/20.32				P		↓
-011	2x10	1.000/25.40	.900/22.86				M		↓
-012	2x12	1.200/30.48	1.100/27.94				M		↓
-013	2x13	1.300/33.02	1.200/30.48				M		↓
-014	2x17	1.700/43.18	1.600/40.64				M		↓
-015	2x20	2.000/50.80	1.900/48.26				M		↓
-016	2x25	2.500/63.50	2.400/60.96				M		↓
-017	2x14	1.400/35.56	1.300/33.02		150u"/3.81u TIN		M		↓
-018	2x14	1.400/35.56	1.300/33.02		30u"/.76u GOLD		M		↓
-019	2x5	.500/12.70	.400/10.16		30u"/.76u GOLD		M		↓
-020	2x5	.500/12.70	.400/10.16		150u"/3.81u TIN		M		↓
NOTE 9									
-021	2x8	.800/20.32	.700/17.78	.49/12.4	30u"/.76u GOLD		M		↓
-022	2x5	.500/12.70	.400/10.16	.15/3.8	50u"/1.27u GOLD		M		↓
-023	2x5	.500/12.70	.400/10.16	.15/3.8	50u"/1.27u GOLD		M		↓
-024	2x8	.800/20.32	.700/17.78	.15/3.8	50u"/1.27u GOLD		M		↓
-025	2x7	.700/17.78	.600/15.24	.09/2.3	30u"/.76u GOLD		M		↓
-026	2x7	.700/17.78	.600/15.24	.09/2.3	150u"/3.81u TIN		M		↓
-027	2x10	1.000/25.40	.900/22.86	.15/3.8	50u"/1.27u GOLD		M		↓
-028	2x8	.800/20.32	.700/17.78	.15/3.8	50u"/1.27u GOLD		M		↓
-029	2x10	1.000/25.40	.900/22.86	.09/2.3	30u"/.76u GOLD		M		↓
-030	2x14	1.400/35.56	1.300/33.02	.09/2.3	30u"/.76u GOLD		M		↓
-031	2x20	2.000/50.80	1.900/48.26	.09/2.3	50u"/1.27u GOLD		M		↓
-032	2x8	.800/20.32	.700/17.78	.15/3.8	50u"/1.27u GOLD		M		↓
-033	2x17	1.700/43.18	1.600/40.64	.15/3.8	30u"/.76u GOLD		M		↓
-034	2x3	.300/7.62	.200/5.08	.09/2.3			M		↓
-035	2x6	.600/15.24	.500/12.70	.09/2.3			M		↓
-036	2x24	2.400/60.96	2.300/58.42	.09/2.3			M		↓
-037	2x20	2.000/50.80	1.900/48.26	.49/12.4			P		↓
-038	2x5	.500/12.70	.400/10.16	.09/2.3			M		↓
-039	2x8	.800/20.32	.700/17.78	.15/3.8			M		↓
-040	2x13	1.300/33.02	1.200/30.48				M		↓
-041	2x10	1.000/25.40	.900/22.86				M		↓
-042	2x5	.500/12.70	.400/10.16				M		↓
65461-001	2x20	2.000/50.80	1.900/48.26	.15/3.8	30u"/.76u GOLD	50u"/1.27u NICKEL	M	NDNE	↑

mat'l. code		itr	ecn no	dr	date
tolerances unless otherwise specified		linear			
.XXX±.01/.X±.3		.XXX±.005/.XXX±.13			
projection		angles			
0° ±.2°		dr			
R SEPLE 4-2-90		engr			
H SUNDY 4-2-90		chr			
H SUNDY 4-2-90		dppd			
scale 1:1		sheet revision			
INCH/MM		sheet			
product family		size			
RIGHT ANGLE HEADER		dwg no			
TOP SHIELDED		code			
FCI		213			
CUSTOMER COPY		sheet 3 of			
www.fciconnect.com		65461			
cage code		3			
22526		4			

ACAD

PDM: Rev:AL

STATUS: Released

Printed: Nov 06, 2000

1 | 2

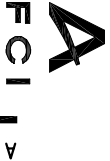
3

1 | 2

4

B

A



1 | 2

PRODUCT NO	NO OF POS	DIM A	DIM B	DIM C	OVERPLATING	UNDERPLATING	STYLE	POSITIONS POLARIZED	LF OPTION
65461-044	2x12	1.200/30,48	1.100/27,94	1.26/6,6	30u"/.76u GOLD	50u"/1,27u NICKEL	M	NONE	↓
-045	2x36	3.600/91,44	3.500/88,90	0,9/2,3	↓	↓	M	NONE	↓
-046	2x10	1.000/25,40	.900/22,86	1,5/3,8	↑	↑	M	NONE	↓
-048	2x10	1.000/25,40	.900/22,86	0,9/2,3	↑	↑	M	NONE	↓
-049	2x10	1.000/25,40	.900/22,86	0,9/2,3	↑	↑	M	NONE	↓
-050	2x14	1.400/35,56	1.300/33,02	1,8/4,6	↑	↑	M	NONE	↓
-051	2x17	1.700/43,18	1.600/40,64	0,9/2,3	↑	↑	M	NONE	↓
-052	2x3	.300/7,62	.200/5,08	0,9/2,3	↑	↑	M	NONE	↓
-053	2x5	.500/12,70	.400/10,16	0,9/2,3	↑	↑	M	NONE	↓
-054	2x13	1.300/33,02	1.200/30,48	0,9/2,3	↑	↑	M	NONE	↓
-055	2x10	1.000/25,40	.900/22,86	1,5/3,8	↑	↑	M	NONE	↓
-059	2x10	1.000/25,40	.900/22,86	1,5/3,8	↑	↑	M	NONE	↓
-060	2x14	1.400/35,56	1.300/33,02	1,5/3,8	↑	↑	M	NONE	↓
-061	2x20	2.000/50,80	1.900/48,26	1,1/2,8	↑	↑	M	NONE	↓
-062	2x12	1.200/30,48	1.100/27,94	1,1/2,8	↑	↑	M	NONE	↓
-063	2x17	1.700/43,18	1.600/40,64	1,1/2,8	↑	↑	M	NONE	↓
-064	2x25	2.500/63,50	2.400/60,96	1,1/2,8	↑	↑	M	NONE	↓
-065	2x13	1.300/33,02	1.200/30,48	1,1/2,8	↑	↑	M	NONE	↓
-066	2x10	1.000/25,40	.900/22,86	1,5/3,8	↑	↑	M	NONE	↓
-067	2x14	1.400/35,56	1.300/33,02	1,5/3,8	↑	↑	M	NONE	↓
-068	2x20	2.000/50,80	1.900/48,26	1,1/2,8	↑	↑	M	NONE	↓
-069	2x8	.800/20,32	.700/17,78	0,9/2,3	↑	↑	M	NONE	↓
-070	2x13	1.300/33,02	1.200/30,48	0,9/2,3	↑	↑	M	NONE	↓
-071	2x14	1.400/35,56	1.300/33,02	1,1/2,8	↑	↑	M	NONE	↓
-072	2x32	3.200/81,28	3.100/78,74	1,1/2,8	↑	↑	M	NONE	↓
-073	2x15	1.500/38,106	1.400/35,56	1,1/2,8	↑	↑	M	NONE	↓
-074	2x30	3.000/76,20	2.900/73,66	1,1/2,8	↑	↑	M	NONE	↓
65461-075	2x17	1.700/43,18	1.600/40,64	1,1/2,8	↑	↑	M	NONE	↓

1 | 2

3

4

mat'l. code		itr	ecn no	dr	date	linear	angles	dr	engr	chr	appt	scale	product family	size	dwg no	sheet	4 of
tolerances unless otherwise specified						.XXX±.005/.XXX.13	0 ±.2	R SEPLE	H SUNDY	H SUNDY	H SUNDY	1:1	RIGHT ANGLE HEADER	213	65461	4	
CUSTOMER COPY		www.fciconnect.com		FCI		projection		INCH/MM		code		product family		code		sheet	
CUSTOMER COPY		www.fciconnect.com		FCI		projection		INCH/MM		code		product family		code		sheet	
CUSTOMER COPY		www.fciconnect.com		FCI		projection		INCH/MM		code		product family		code		sheet	

ACAD

PDM: Rev:AL

STATUS: Released

22526

4

B

A

B

A

## X-ON Electronics

Largest Supplier of Electrical and Electronic Components

*Click to view similar products for [Headers & Wire Housings](#) category:*

*Click to view products by [Amphenol](#) manufacturer:*

Other Similar products are found below :

[95000-104TRLF](#) [10135584-644402LF](#) [DF62W-EP2022PCA](#) [95000-106TRLF](#) [DF62W-2022SCA](#) [DF62W-EP2022PC](#) [2203348](#) [DF62W-2022SC](#) [1084018](#) [1029039](#) [1084017](#) [802-10-012-10-002000](#) [1112640](#) [1112639](#) [891-007-9SS-BST1T](#) [000-34000](#) [0008550134](#) [0009482033](#) [0009507031](#) [57102-F02-18ULF](#) [57102-S06-03LF](#) [57202-S52-04LF](#) [PCN6-15S-2.5E](#) [0039019024](#) [58102-G61-06LF](#) [582553-1](#) [0009485154](#) [0009508121](#) [009176003701906](#) [0022285053](#) [0050291907](#) [018731A](#) [LY20-4P-DT1-P1E-BR](#) [02.125.8002.8](#) [60101931](#) [60598-1 \(Cut Strip\)](#) [M1625-3R/100](#) [61062-3](#) [61082-181009](#) [CSU011177004](#) [636-1427](#) [638009-1](#) [641938-9](#) [641991-4](#) [644168-1](#) [644827-2](#) [647662-1](#) [65039-019ELF](#) [65692-001LF](#) [65781-018](#)