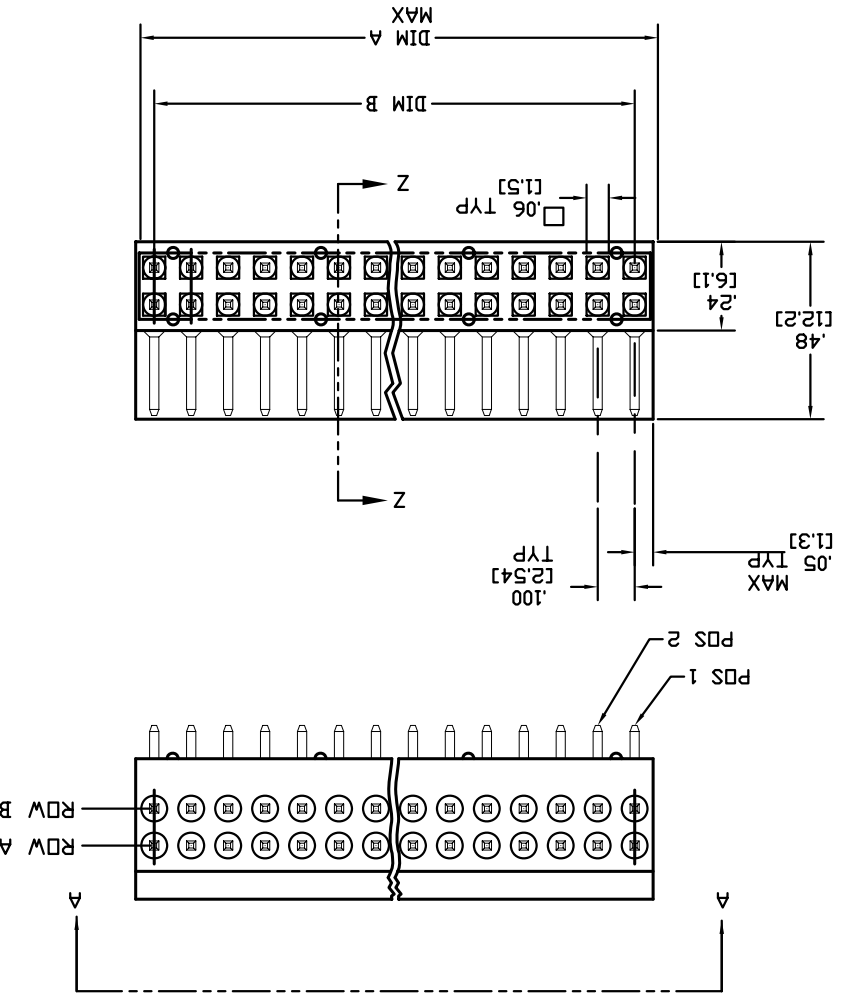




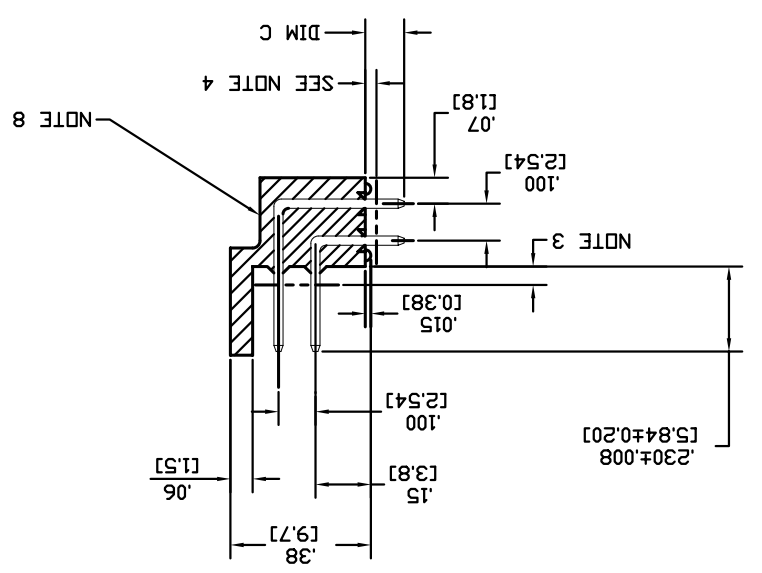
PRODUCT NO.  
SEE TABLE



STYLE P  
SHOWN THIS SHEET

mat'l. code		NOTE 1		ltr	ecn no	dr	date	tolerances unless otherwise specified		CUSTOMER COPY		www.fciconnect.com	
AK	V03-0413	GJP	4-14-03	linear	3-29-90	RLS	3-29-90	.XXX±.005/.XXX±.13	projection	TOP SHIELDED RIGHT ANGLE HEADER	product family	HEADERS	code
AL	V05-0891	DM	10/10/05	angles	0 ±.2	dr	3-30-90	R SEPLE	INCH/MM	2:1	product family	HEADERS	code
		engr	3-30-90	H SUNDY	3-30-90	engr	3-30-90	H SUNDY	size	213	product family	HEADERS	code
		chr	3-30-90	H SUNDY	3-30-90	appd	3-30-90	H SUNDY	scale	2:1	product family	HEADERS	code
		AL	3-30-90	H SUNDY	3-30-90	AL	3-30-90	H SUNDY	sheet	1 of 4	product family	HEADERS	code
sheet	revision	AL	AL	AL	AL	AL	AL	AL	sheet	1 of 4	product family	HEADERS	code
index	revision	AL	AL	AL	AL	AL	AL	AL	sheet	1 of 4	product family	HEADERS	code

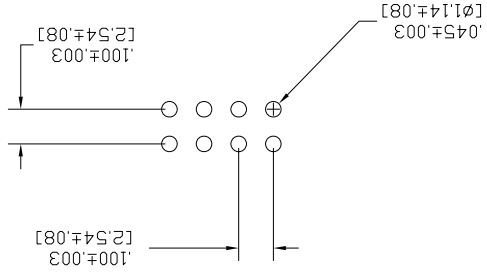
SECTION Z-Z



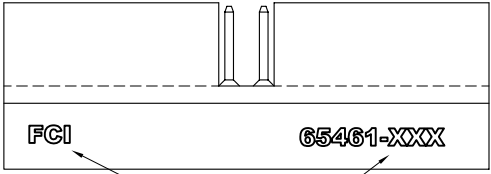


PRODUCT NO.  
SEE TABLE

**RECOMMENDED HOLE PATTERN**



**VIEW A-A**  
**STYLE M**  
**SCALE 5:1**



SEE NOTE 8

mat'l. code		NOTE 1		tolerances unless otherwise specified		CUSTOMER COPY		FCI		www.fciconnect.com	
ltr	ecn no	dr	date	linear	angles	dr	engr	chr	opdd	H SUNDY	3-30-90
					0° ±.2°	R SEIPL	3-30-90	H SUNDY	H SUNDY	H SUNDY	3-30-90
AL					.XXX±.0020/.XXX±.051		3-30-90	3-30-90	3-30-90	3-30-90	3-30-90
sheet	revision	index									

NOTES:

- ① MOLDING MATERIAL, GLASS FILLED 30 % MIN POLYESTER, FLAME RETARDANT UL 94-0 COLOR - BLACK. THIS PRODUCT WILL WITHSTAND EXPOSURE TO 260°C TEMPERATURE FOR 15 SECONDS IN A WAVE SOLDER APPLICATION WITH A .06 [1.5mm] THICK PCB. TERMINAL MATERIAL, .0250±.0015/.635±.038 SQUARE 3/4 HARD PHOSPHOR BRONZE ALLOY UNS CS1000. PLATING SEE TABULATION
- ② .05/1.3 MAX HIGH FLASH
- ③ .03/8 MAX FLASH.
- ④ TYPICAL BOTH ENDS.
- ⑤ TWO SIDES OF LEAD-IN ON PINS NOT PLATED.
- ⑥ UL RECOGNIZED PRODUCT.
- ⑦ GXT PA/N/ PLATED PRODUCT HAS GOLD FLASH.
- ⑧ FCI LOGO AND PART NUMBER ON THIS SURFACE WHEN POSSIBLE.
- ⑨ ADD SUFFIX LF AT THE END OF PART NUMBER FOR LEAD FREE OPTION.
- ⑩ THIS PRODUCT MEETS EUROPEAN UNION DIRECTIVES AND OTHER COUNTRY REGULATIONS AS DESCRIBED IN GS-22-008.
- ⑪ THIS PRODUCT MAY HAVE 100% TIN PLATING IN THE INTERFACE AND HAS NOT BEEN TESTED FOR WHISKER GROWTH IN INTERCONNECT ENVIRONMENTS.

A

B

1 | 2

3

4

cage code  
22526

4

**PDM: Rev:AL** STATUS: Released

ACAD



PRODUCT NO	NO OF POS	DIM A	DIM B	DIM C	OVERPLATING	UNDERPLATING	STYLE	POSITIONS POLARIZED	LF OPTION
65461-001	2x8	.800/20.32	.700/17.78	.09/2.3	30u"/.76u GOLD	50u"/1.27u NICKEL	P	NDNE	↓
-002	2x9	.900/22.86	.800/20.32				P		↓
-003	2x10	1.000/25.40	.900/22.86				M		↓
-004	2x12	1.200/30.48	1.100/27.94				P		↓
-005	2x13	1.300/33.02	1.200/30.48				M		↓
-006	2x17	1.700/43.18	1.600/40.64				M		↓
-007	2x20	2.000/50.80	1.900/48.26				M		↓
-008	2x25	2.500/63.50	2.400/60.96				M		↓
-009	2x8	.800/20.32	.700/17.78		150u"/3.81u TIN		P		↓
-010	2x9	.900/22.86	.800/20.32				P		↓
-011	2x10	1.000/25.40	.900/22.86				M		↓
-012	2x12	1.200/30.48	1.100/27.94				M		↓
-013	2x13	1.300/33.02	1.200/30.48				M		↓
-014	2x17	1.700/43.18	1.600/40.64				M		↓
-015	2x20	2.000/50.80	1.900/48.26				M		↓
-016	2x25	2.500/63.50	2.400/60.96				M		↓
-017	2x14	1.400/35.56	1.300/33.02		150u"/3.81u TIN		M		↓
-018	2x14	1.400/35.56	1.300/33.02		30u"/.76u GOLD		M		↓
-019	2x5	.500/12.70	.400/10.16				M		↓
-020	2x5	.500/12.70	.400/10.16				M		↓
-021	2x8	.800/20.32	.700/17.78	.49/12.4	30u"/.76u GOLD		M		↓
-022	2x5	.500/12.70	.400/10.16	.15/3.8	50u"/1.27u GOLD		M		↓
-023	2x5	.500/12.70	.400/10.16	.15/3.8	50u"/1.27u GOLD		M		↓
-024	2x8	.800/20.32	.700/17.78	.15/3.8	50u"/1.27u GOLD		M		↓
-025	2x7	.700/17.78	.600/15.24	.09/2.3	30u"/.76u GOLD		M		↓
-026	2x7	.700/17.78	.600/15.24	.09/2.3	150u"/3.81u TIN		M		↓
-027	2x10	1.000/25.40	.900/22.86	.15/3.8	50u"/1.27u GOLD		M		↓
-028	2x8	.800/20.32	.700/17.78	.15/3.8	50u"/1.27u GOLD		M		↓
-029	2x10	1.000/25.40	.900/22.86	.09/2.3	30u"/.76u GOLD		M		↓
-030	2x14	1.400/35.56	1.300/33.02	.09/2.3	30u"/.76u GOLD		M		↓
-031	2x20	2.000/50.80	1.900/48.26	.09/2.3	50u"/1.27u GOLD		M		↓
-032	2x8	.800/20.32	.700/17.78	.15/3.8	50u"/1.27u GOLD		M		↓
-033	2x17	1.700/43.18	1.600/40.64	.15/3.8	30u"/.76u GOLD		M		↓
-034	2x3	.300/7.62	.200/5.08	.09/2.3			M		↓
-035	2x6	.600/15.24	.500/12.70	.09/2.3			M		↓
-036	2x24	2.400/60.96	2.300/58.42	.09/2.3			M		↓
-037	2x20	2.000/50.80	1.900/48.26	.49/12.4			P		↓
-038	2x5	.500/12.70	.400/10.16	.09/2.3			M		↓
-039	2x8	.800/20.32	.700/17.78	.15/3.8			M		↓
-040	2x13	1.300/33.02	1.200/30.48				M		↓
-041	2x10	1.000/25.40	.900/22.86				M		↓
-042	2x5	.500/12.70	.400/10.16				M		↓
65461-001	2x20	2.000/50.80	1.900/48.26	.15/3.8	30u"/.76u GOLD	50u"/1.27u NICKEL	M	NDNE	↑

mat'l. code		itr	ecn no	dr	date	linear	angles	dr	engr	chr	ppd	scale	product family	size	dwg no	sheet	3 of
tolerances unless otherwise specified						.XXX±.005/.XXX±.13	0° ±2'	R SEPLE	H SUNDY	H SUNDY	H SUNDY	1:1	RIGHT ANGLE HEADER	4-2-90	213	65461	3 of
CUSTOMER COPY		FCI		www.fciconnect.com		projection		INCH/MM		product family		size		dwg no		sheet	
CUSTOMER COPY		FCI		www.fciconnect.com		projection		INCH/MM		product family		size		dwg no		sheet	

mat'l. code		itr	ecn no	dr	date	linear	angles	dr	engr	chr	ppd	scale	product family	size	dwg no	sheet	3 of
tolerances unless otherwise specified						.XXX±.005/.XXX±.13	0° ±2'	R SEPLE	H SUNDY	H SUNDY	H SUNDY	1:1	RIGHT ANGLE HEADER	4-2-90	213	65461	3 of
CUSTOMER COPY		FCI		www.fciconnect.com		projection		INCH/MM		product family		size		dwg no		sheet	
CUSTOMER COPY		FCI		www.fciconnect.com		projection		INCH/MM		product family		size		dwg no		sheet	

mat'l. code		itr	ecn no	dr	date	linear	angles	dr	engr	chr	ppd	scale	product family	size	dwg no	sheet	3 of
tolerances unless otherwise specified						.XXX±.005/.XXX±.13	0° ±2'	R SEPLE	H SUNDY	H SUNDY	H SUNDY	1:1	RIGHT ANGLE HEADER	4-2-90	213	65461	3 of
CUSTOMER COPY		FCI		www.fciconnect.com		projection		INCH/MM		product family		size		dwg no		sheet	
CUSTOMER COPY		FCI		www.fciconnect.com		projection		INCH/MM		product family		size		dwg no		sheet	



mat'l. code		itr		ecn no		dr		date		linear		angles		dr		engr		chr		ppd		sheet		revision		index			
tolerances unless otherwise specified		.XXX±.01/.X±.3		.XXX±.005/.XXX±.13		0 ±.2		R SEPLR 4-2-90		H SUNDY 4-2-90		H SUNDY 4-2-90		H SUNDY 4-2-90		H SUNDY 4-2-90		H SUNDY 4-2-90		H SUNDY 4-2-90		4-2-90		4-2-90		4-2-90		4-2-90	
CUSTOMER COPY		projection		title		product family		size		dwg no		code		sheet		4 of		sheet		213		65461		cage code		22526		4	
www.fciconnect.com		FCI		RIGHT ANGLE HEADER		TOP SHIELDED		A		1:1		scale		INCH/MM		product family		HEADERS		code		65461		cage code		22526		4	

PRODUCT NO	NO OF POS	DIM A	DIM B	DIM C	OVERPLATING	UNDERPLATING	STYLE	POSITIONS POLARIZED	LF OPTION
65461-044	2x12	1.200/30.48	1.100/27.94	1.26/6.6	30u"/.76u GOLD	50u"/1.27u NICKEL	M	NONE	↓
-045	2x36	3.600/91.44	3.500/88.90	.09/2.3	30u"/.76u GOLD	50u"/1.27u NICKEL	M	NONE	↓
-046	2x10	1.000/25.40	.900/22.86	.15/3.8	30u"/.76u GOLD	50u"/1.27u NICKEL	M	NONE	↓
-048	2x10	1.000/25.40	.900/22.86	.09/2.3	150u"/3.81u TIN	150u"/3.81u TIN	M	NONE	↓
-049	2x10	1.000/25.40	.900/22.86	.09/2.3	150u"/3.81u TIN	150u"/3.81u TIN	M	NONE	↓
-050	2x14	1.400/35.56	1.300/33.02	.18/4.6	30u"/.76u GOLD	30u"/.76u GOLD	M	NONE	↓
-051	2x17	1.700/43.18	1.600/40.64	.09/2.3	15u"/.38u GOLD	15u"/.38u GOLD	M	NONE	↓
-052	2x3	.300/7.62	.200/5.08	.09/2.3	30u"/.76u GOLD	30u"/.76u GOLD	M	NONE	↓
-053	2x5	.500/12.70	.400/10.16	.09/2.3	50u"/1.27u GOLD	50u"/1.27u GOLD	P	B-4	↓
-054	2x13	1.300/33.02	1.200/30.48	.09/2.3	30u"/.76u GXT	30u"/.76u GXT	M	NONE	↓
-055	2x12	1.200/30.48	1.100/27.94	.11/2.8	150u"/3.81u TIN	150u"/3.81u TIN	M	NONE	↓
-056	2x17	1.700/43.18	1.600/40.64	.11/2.8	30u"/.76u GXT	30u"/.76u GXT	M	NONE	↓
-057	2x25	2.500/63.50	2.400/60.96	.11/2.8	1.300/33.02	1.200/30.48	M	NONE	↓
-058	2x13	1.300/33.02	1.200/30.48	.11/2.8	1.300/33.02	1.200/30.48	M	NONE	↓
-059	2x10	1.000/25.40	.900/22.86	.15/3.8	1.400/35.56	1.300/33.02	M	NONE	↓
-060	2x14	1.400/35.56	1.300/33.02	.15/3.8	1.900/48.26	1.800/45.72	M	NONE	↓
-061	2x20	2.000/50.80	1.900/48.26	.11/2.8	150u"/3.81u TIN	150u"/3.81u TIN	M	NONE	↓
-062	2x12	1.200/30.48	1.100/27.94	.11/2.8	30u"/.76u GOLD	30u"/.76u GOLD	M	NONE	↓
-063	2x17	1.700/43.18	1.600/40.64	.11/2.8	30u"/.76u GOLD	30u"/.76u GOLD	M	NONE	↓
-064	2x25	2.500/63.50	2.400/60.96	.11/2.8	1.400/35.56	1.300/33.02	M	NONE	↓
-065	2x13	1.300/33.02	1.200/30.48	.11/2.8	1.400/35.56	1.300/33.02	M	NONE	↓
-066	2x10	1.000/25.40	.900/22.86	.15/3.8	1.900/48.26	1.800/45.72	M	NONE	↓
-067	2x14	1.400/35.56	1.300/33.02	.15/3.8	1.900/48.26	1.800/45.72	M	NONE	↓
-068	2x20	2.000/50.80	1.900/48.26	.11/2.8	150u"/3.81u TIN	150u"/3.81u TIN	M	NONE	↓
-069	2x8	.800/20.32	.700/17.78	.09/2.3	30u"/.76u GOLD	30u"/.76u GOLD	M	NONE	↓
-070	2x13	1.300/33.02	1.200/30.48	.09/2.3	30u"/.76u GOLD	30u"/.76u GOLD	M	NONE	↓
-071	2x14	1.400/35.56	1.300/33.02	.11/2.8	30u"/.76u GOLD	30u"/.76u GOLD	M	NONE	↓
-072	2x32	3.200/81.28	3.100/78.74	.11/2.8	30u"/.76u GOLD	30u"/.76u GOLD	M	NONE	↓
-073	2x15	1.500/38.106	1.400/35.56	.11/2.8	30u"/.76u GOLD	30u"/.76u GOLD	M	NONE	↓
-074	2x30	3.000/76.20	2.900/73.66	.11/2.8	30u"/.76u GOLD	30u"/.76u GOLD	M	NONE	↓
65461-075	2x17	1.700/43.18	1.600/40.64	.11/2.8	30u"/.76u GXT	50u"/1.27u NICKEL	P	NONE	↑

ACAD

PDM: Rev:AL

STATUS: Released

Printed: Nov 06, 2009

## X-ON Electronics

Largest Supplier of Electrical and Electronic Components

*Click to view similar products for [Headers & Wire Housings](#) category:*

*Click to view products by [Amphenol](#) manufacturer:*

Other Similar products are found below :

[95000-104TRLF](#) [10135584-644402LF](#) [DF62W-EP2022PCA](#) [95000-106TRLF](#) [DF62W-2022SCA](#) [DF62W-EP2022PC](#) [2203348](#) [DF62W-2022SC](#) [1084018](#) [1029039](#) [1084017](#) [802-10-012-10-002000](#) [1112640](#) [1112639](#) [891-007-9SS-BST1T](#) [000-34000](#) [0008550134](#) [0009482033](#) [0009507031](#) [57102-F02-18ULF](#) [57102-S06-03LF](#) [57202-S52-04LF](#) [PCN6-15S-2.5E](#) [0039019024](#) [58102-G61-06LF](#) [582553-1](#) [0009485154](#) [0009508121](#) [009176003701906](#) [0022285053](#) [0050291907](#) [018731A](#) [LY20-4P-DT1-P1E-BR](#) [02.125.8002.8](#) [60101931](#) [60598-1 \(Cut Strip\)](#) [M1625-3R/100](#) [61062-3](#) [61082-181009](#) [CSU011177004](#) [636-1427](#) [638009-1](#) [641938-9](#) [641991-4](#) [644168-1](#) [644827-2](#) [647662-1](#) [65039-019ELF](#) [65692-001LF](#) [65781-018](#)