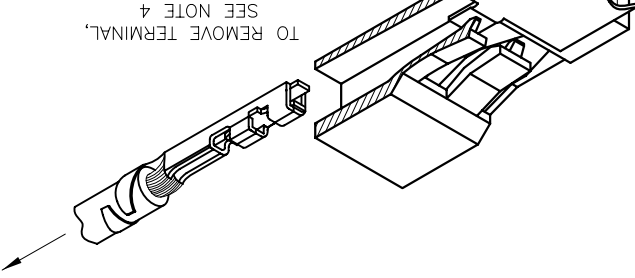
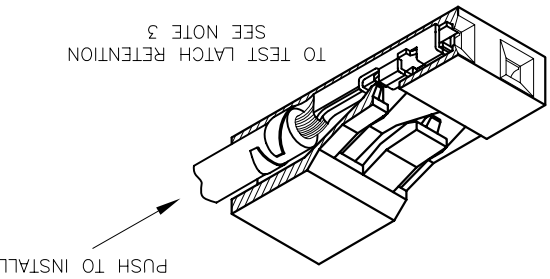
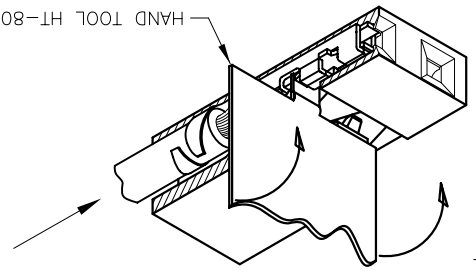
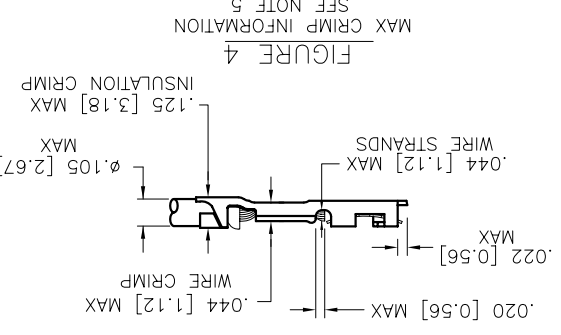
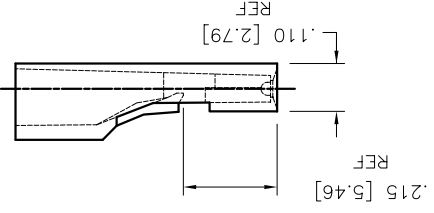
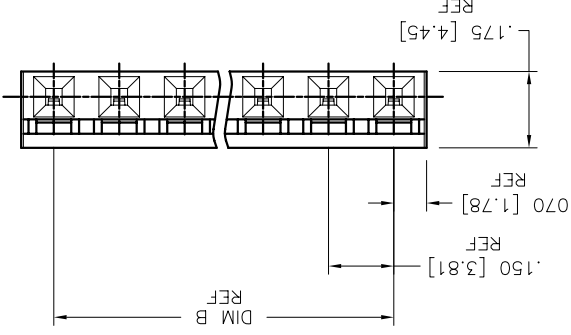
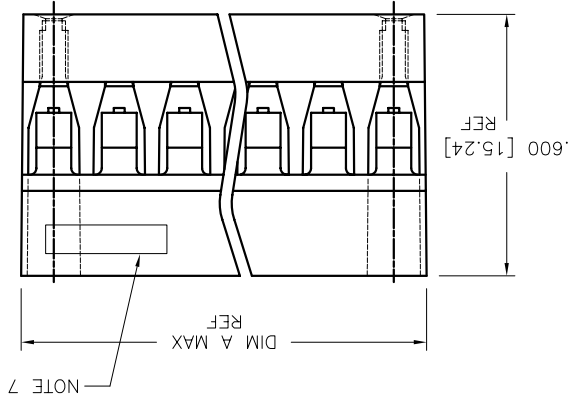


PRODUCT NUMBER
SEE TABLE



mat'l code	SEE NOTE 1	surface	tolerance unless otherwise specified	projection	product family	PV HOUSINGS
lfr	ec'n no	dr	date	tolerances unless otherwise specified	line	xxxx07x3
J	V51086	GAH	1995-12-18	angles	linear	xxxx005/xxxB
K	V90985	RGD	1999-06-22	angles	linear	xxxx005/xxxB
L	V03-1358	PJ	2004-02-09	of f.2	linear	xxxx020/xxxx051
M	V05-0714	TAB	2005-07-29	dr	G. HULL	1995-12-18
N	V06-0419	HTB	2006-05-03	enfr	T. HANNA	1995-12-18
P	V07-0493	HTB	2007-07-30	chr	T. BREWBAKER	1995-12-18
revision	P	P		apdd	T. HANNA	1995-12-18
sheet	1	2				
index	Sheet					
type	Product Customer Drawing					
dwg no	65486	sheet 1 of 2				
title	MINI LATCH HOUSING	scale	2.5:1			
INCH/MM						

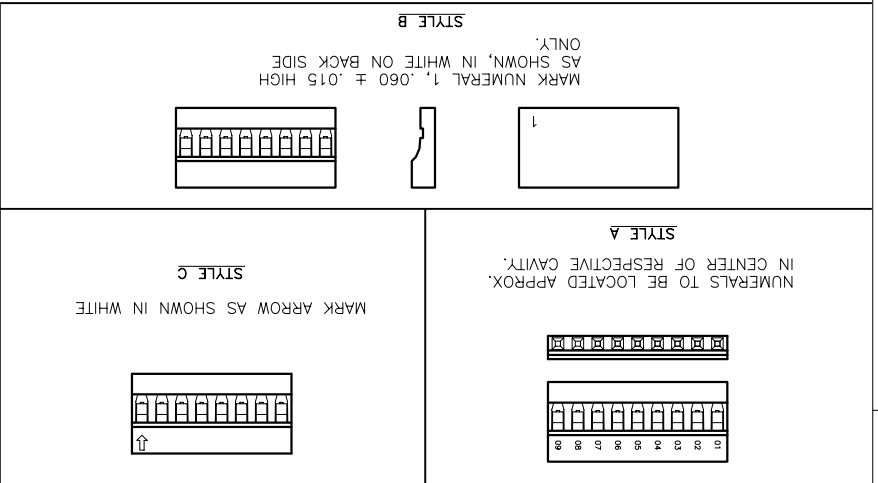
6 5 4 3 2 1 0

0 1 2 3 4 5 6

PRODUCT NO.	NO. OF CAVITIES	DIM "A" MAX.	DIM "B"	MATERIAL COLOR	CUSTOMER RESTICTED	MARKING STYLE
65486-001LF	1	.150/3.81	---	BLACK		
65486-002LF	2	.305/7.75	.150/3.81	BLACK		
65486-003LF	3	.455/11.56	.300/7.62	BLACK		
65486-004LF	4	.605/15.37	.450/11.43	BLACK		
65486-005LF	5	.755/19.18	.600/15.24	BLACK		
65486-006LF	6	.905/22.99	.750/19.05	BLACK		
65486-007LF	7	1.055/26.80	.900/22.86	BLACK		
65486-008LF	8	1.205/30.61	1.050/26.67	BLACK		
65486-009LF	9	1.355/34.42	1.200/30.48	BLACK		
65486-010LF	10	1.505/38.23	1.350/34.29	BLACK		
65486-011LF	11	1.655/42.04	1.500/38.10	BLACK		
65486-012LF	12	1.805/45.85	1.650/41.91	BLACK		
65486-013LF	13	1.955/49.66	1.800/45.72	BLACK		
65486-014LF	14	2.105/53.47	1.950/49.53	BLACK		
65486-015LF	15	2.255/57.28	2.100/53.34	BLACK		
65486-016LF	16	2.405/61.09	2.250/57.15	BLACK		
65486-017LF	17	2.555/64.90	2.400/60.96	BLACK		
65486-018LF	18	2.705/68.71	2.550/64.77	BLACK		
65486-019LF	19	2.855/72.52	2.700/68.58	BLACK		
65486-020LF	20	3.005/76.33	2.850/72.39	BLACK		
65486-021LF	21	3.155/80.14	3.000/76.20	BLACK		
65486-022LF	22	3.305/83.95	3.150/80.01	BLACK		
65486-023LF	23	3.455/87.76	3.300/83.82	BLACK		
65486-024LF	24	3.605/91.57	3.450/87.63	BLACK		
65486-025LF	25	3.755/95.38	3.600/91.44	BLACK		
65486-026LF	26	3.905/99.19	3.750/95.25	BLACK		
65486-027LF	27	4.055/103.00	3.900/99.06	BLACK		
65486-028LF	28	4.205/106.81	4.050/102.87	BLACK		
65486-029LF	29	4.355/110.62	4.200/106.68	BLACK		
65486-030LF	30	4.505/114.43	4.350/110.49	BLACK		
65486-031LF	31	4.655/118.24	4.500/114.30	BLACK		
65486-032LF	5	.755/19.18	.600/15.24	BLUE	*	
65486-033LF	9	1.355/34.42	1.200/30.48	BLUE	*	
65486-034LF	7	1.055/26.80	.900/22.86	BLUE	*	
65486-035LF	11	1.655/42.04	1.500/38.10	BLACK		STYLE A
65486-036LF	31	4.655/118.24	4.500/114.30	BLACK		STYLE A
65486-037LF	3	.455/11.56	.300/7.62	BLACK	*	STYLE A
65486-038LF	6	.905/22.99	.750/19.05	BLACK	*	STYLE A
65486-039LF	6	.905/22.99	.750/19.05	BLACK		STYLE B
65486-040LF	4	.605/15.37	.450/11.43	BLACK		STYLE C

NONE

- NOTES:
- MOLDING MATERIAL: BLUE-MODIFIED POLYPHENYLENE OXIDE, MEETING UL 94V-1.
 - PIN LENGTH TO BE .210/5.33 MIN. RECOMMENDED PIN LENGTH IS .225±.015[5.72±0.38].
 - TO LATCH TERMINAL PUSH AS SHOWN IN FIGURE 1. BE SURE THAT LATCH SNAPS DOWN.
 - TO REMOVE TERMINAL, PUSH TERMINAL FORWARD, LIFT LATCH WITH HAND TOOL AS SHOWN IN FIGURES 2 & 3. DAMAGE TO LATCH MAY OCCUR IF LIFTED MORE THAN A 25° ANGLE TO TOP OF HOUSING.
 - MAX. WIRE CRIMP AND WIRE STRANDS ARE SHOWN IN FIG. 4. IF THIS IS EXCEEDED, LATCHING WILL NOT BE SATISFACTORY. SEE MINI PV™ TERMINAL APPLICATION TA-75 FOR CORRECT CRIMP HEIGHT FOR EACH DIFFERENT WIRE SIZE. PRODUCT SPECIFICATION: BUS-12-067.
 - THIS HOUSING IS INTENDED FOR USE WITH MINI PV™ TERMINAL WITH 20-32 GAUGE WIRE. MEETING SPECIFICATIONS SHOWN IN FIGURE 4.
 - PART NO. AND OR LOGO WILL APPEAR IN THIS AREA IF SIZE PERMITS UNLESS NOTED OTHERWISE PER MARKING STYLE. MARKING WILL BE "6 POINT TYPE SET" (APPROX. AREA PER NUMERAL OR LETTER IS .056/1.42 WIDE X .070/1.78 HIGH).
 - PRODUCT MEETS EUROPEAN UNION DIRECTIVES AND OTHER COUNTRY REGULATIONS AS DESCRIBED IN GS-22-008.
 - THE PRODUCT IS NOT INTENDED TO BE EXPOSED TO MANUFACTURING SOLDER PROCESS.



mat'l code	SEE NOTE 1	surface	tolerance unless otherwise specified	projection	product family	PV HOUSINGS
lfr	ecn no	df	date	tolerances unless otherwise specified	INCH/MM	
angles	linear	xxxx.005/xxx.B	xxxx.002/xxx.051	scale	3:1	
df	G. HULL	1995-12-18		dwg no	sheet 2 of 2	size
engr	T. HANNA	1995-12-18		FCI	65486	
chr	T. BREWBAKER	1995-12-18		type	Product Customer Drawing	
appt	T. HANNA	1995-12-18		revision	Sheet	Index

X-ON Electronics

Largest Supplier of Electrical and Electronic Components

Click to view similar products for [Headers & Wire Housings](#) category:

Click to view products by [Amphenol](#) manufacturer:

Other Similar products are found below :

[95000-104TRLF](#) [10135584-644402LF](#) [DF62W-EP2022PCA](#) [95000-106TRLF](#) [DF62W-2022SCA](#) [DF62W-EP2022PC](#) [2203348](#) [DF62W-2022SC](#) [1084018](#) [1029039](#) [1084017](#) [802-10-012-10-002000](#) [1112640](#) [1112639](#) [891-007-9SS-BST1T](#) [000-34000](#) [0008550134](#) [0009482033](#) [0009507031](#) [57102-F02-18ULF](#) [57102-S06-03LF](#) [57202-S52-04LF](#) [PCN6-15S-2.5E](#) [0039019024](#) [58102-G61-06LF](#) [582553-1](#) [0009485154](#) [0009508121](#) [009176003701906](#) [0022285053](#) [0050291907](#) [018731A](#) [LY20-4P-DT1-P1E-BR](#) [02.125.8002.8](#) [60101931](#) [60598-1 \(Cut Strip\)](#) [M1625-3R/100](#) [61062-3](#) [61082-181009](#) [CSU011177004](#) [636-1427](#) [638009-1](#) [641938-9](#) [641991-4](#) [644168-1](#) [644827-2](#) [647662-1](#) [65039-019ELF](#) [65692-001LF](#) [65781-018](#)