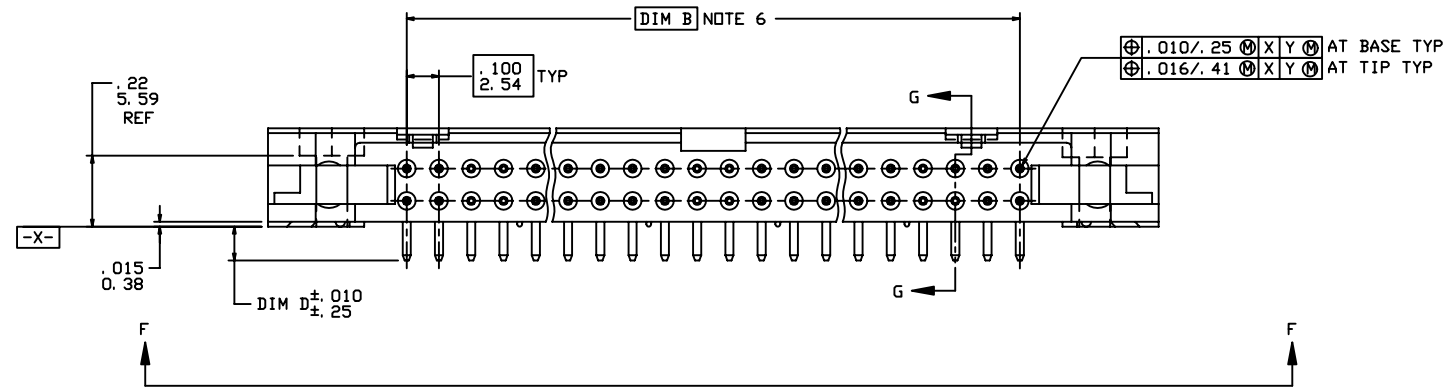
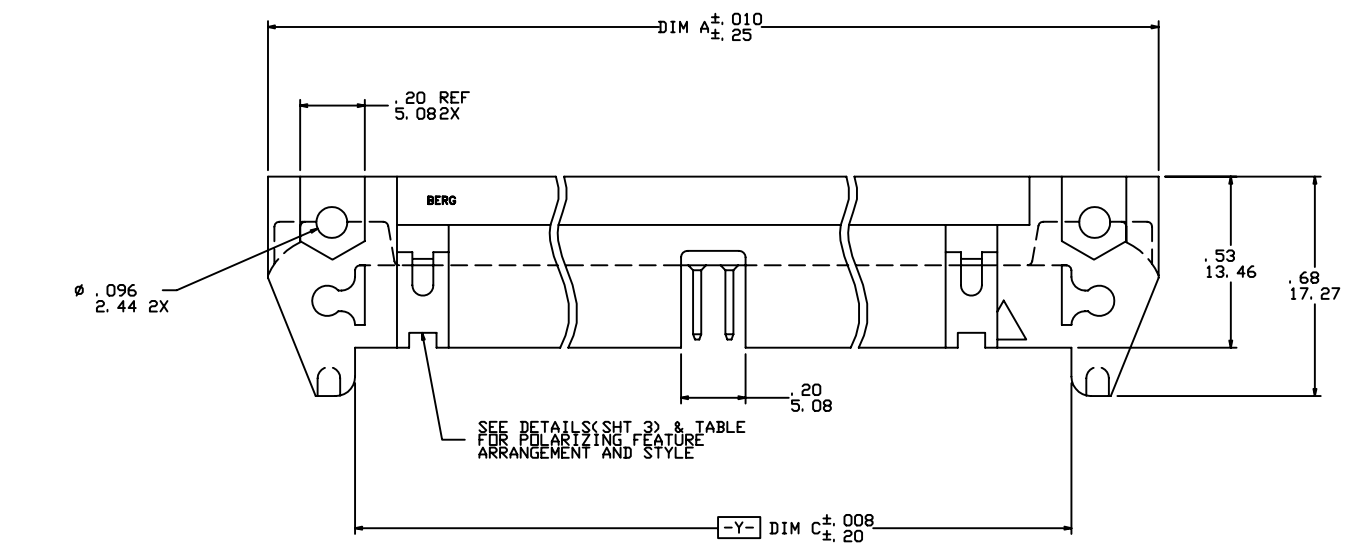


Tous droits strictement reserves. Reproduction ou communication a des tiers interitee sous quelque forme que ce soit sans autorisation ecrite du proprietaire. Propriete de c FCI. Droits de reproduction FCI.



All rights strictly reserved. Reproduction or issue to third parties in any form whatever is not permitted without written authority from the proprietor. Property of FCI. Copyright FCI.

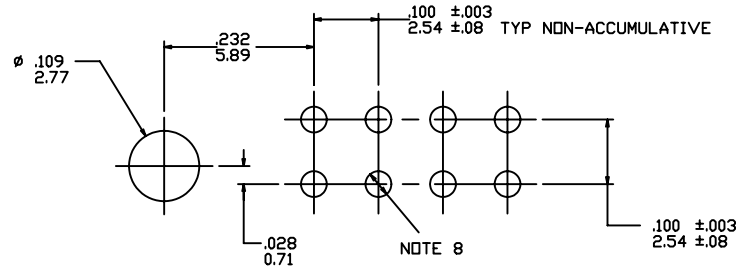


mat'l. code				tolerances unless otherwise specified				CUSTOMER COPY				FCI www.fciconnect.com				
ltr	ecn no	dr	date	linear	.XX±.01/.X±.3				projection				title HEADER, QUICKIE SEA, HORSE, RIGHT ANGLE			
AC	140002	LSS	07/22/94		.XXX±.005/.XX±.13				⊕ ⊖							
AD	N05-0129	ZC	5/20/05	angles	.XXX±.0020/.XXX±.051				INCH/MM				product family QUICKIE			
AE	N05-0151	WG	7/31/07		0°±2°				← →				code -			
AF	N08-0175	R.B	2008/08/22	dr	J. SHREINER	1/16/90	scale				size A					
				engr	M. SMYK	1/16/90	5:1				sheet 1 of 21					
				chr	M. SMYK	1/16/90										
				appd	M. SMYK	1/16/90										
AE	sheet index	revision sheet	AF AF	AF AF AF AF AF AF AF AF	AF AF AF AF AF AF AF AF	AF AF AF AF AF AF AF AF	AF AF AF AF AF AF AF AF	AF AF AF AF AF AF AF AF	AF AF AF AF AF AF AF AF	AF AF AF AF AF AF AF AF	AF AF AF AF AF AF AF AF	AF AF AF AF AF AF AF AF	AF AF AF AF AF AF AF AF	AF AF AF AF AF AF AF AF	AF AF AF AF AF AF AF AF	
21			1 2	3 4 5 6 7 8 9 10 11 12 13 14 15 16 17 18 19 20												

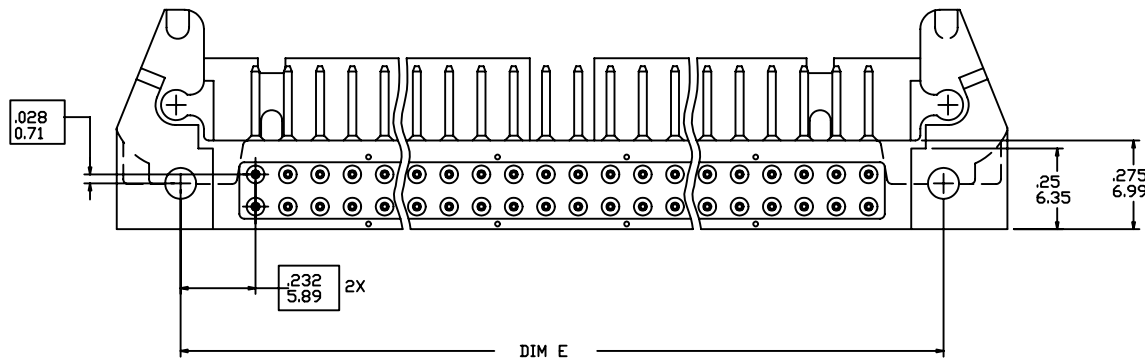
PDM: Rev:AF

STATUS: Released

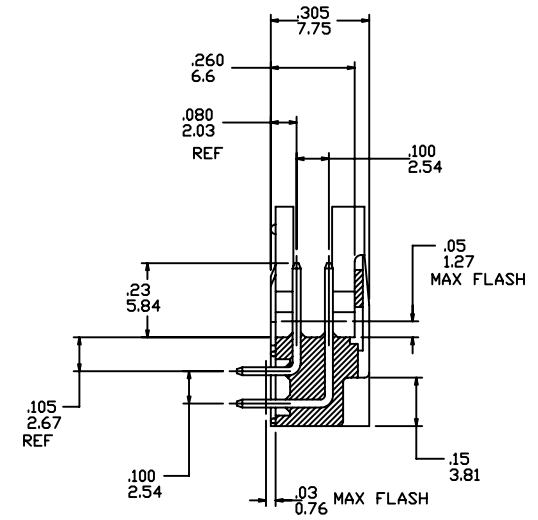
Printed: Apr 12, 2011



RECOMMENDED HOLE PATTERN
SCALE 10:1



VIEW F-F



SECTION G-G
ROTATED 90°CW

mat'l. code				tolerances unless otherwise specified		CUSTOMER COPY	FCI www.fciconnect.com			
ltr	ecn no	dr	date	linear	.XX±.01/.X±.3	projection	title			
AF					.XXX±.005/.XX±.13			HEADER, QUICKIE		
				angles	.XXX±.0020/.XXX±.051	INCH/MM		SEA, HORSE, RIGHT ANGLE		
				dr	0°±2°		scale	product family	code	
				engr	J. SHREINER 1/16/90	5:1		size	—	
				chr	M. SMYK 1/16/90			A	65823	sheet
				appd	M. SMYK 1/16/90				2 of 21	

sheet index	revision sheet																		
21																			

1 | 2

3

4

LP LATCH 66177-001
STD LATCH 65824-001
NOTE 7

HEADER WITH LATCHES

2X5
STYLE A

2X5
STYLE B

2X7
STYLE C

2X8 THRU 2X30
(2X10 SHOWN)
STYLE D

ALL SIZES
STYLE E

NOTES:

1. RECOMMENDED MOUNTING SCREW SIZE: #2-56 FILLISTER HD MACH SCREW, 3/8" LG FOR 1/16" & 3/32" BOARD, 7/16" LG FOR 1/8" BOARD.
2. MOLDING MAT'L: 30% GLASS FILLED POLYESTER, FLAME RETARDANT PER UL-94V-0, COLOR: BLUE.
3. PIN MAT'L: 3/4 HARD PHOS BRONZE ALLDY UNS C-51000.
4. 1° MAX DRAFT PERMISSIBLE ON ALL SURFACES UNLESS OTHERWISE SPECIFIED.
5. PLATING ON LEAD-IN PORTION OF PIN IS MANUFACTURING OPTION.
6. **B** BASIC DIM SHALL BE LOCATED SYMMETRICAL TO DATUM -Y-.
7. LOW PROFILE LATCHES TO BE USED WITH FEMALE CONNECTOR WITHOUT STRAIN RELIEF. STANDARD LATCHES TO BE USED WITH FEMALE CONNECTOR WITH STRAIN RELIEF.
8. .040±.003/1.02±.08 DIA HOLE TYP FOR SQ PINS, .035±.003/.89±.08 DIA HOLE TYP FOR RND PINS.
9. A. RETENTION FEATURE AVAILABLE ON CONNECTORS WITH .105/2.67, .120/3.05, OR .150/3.81 TAIL LENGTH. RETENTION P/N INCLUDES THE LETTER "R" AFTER THE EXISTING P/N.
EXAMPLE: 65823-XXX FOR EXISTING P/N
65823-XXXR FOR RETENTION P/N
RETENTION FEATURE LOCATION IS MANUFACTURERS OPTION.
B. ROUND PINS HAVE 15 LBS/6.8 KGS MAX INSERTION AND .25 LB/.1 KG MIN RETENTION FORCE WHEN USED IN .035±.003/.89±.08 DIA HOLES AND .062/1.57 THICK PC BOARD.
C. SQUARE PINS HAVE A 15 LBS/6.8 KG MAX INSERTION AND .5 LB/.2 KG MIN RETENTION FORCE WHEN USED IN .040±.003/1.02±.08 DIA HOLES AND .062/1.57 THICK PC BOARD.
10. 65496-***LF IS JUST A LEAD FREE PRODUCT.
11. THE HOUSING OF XXXX-XYLFF WILL WITHSTAND EXPOSURE TO 260°C PEAK TEMPERATURE FOR 10 SECONDS IN A WAVE SOLDER PROCESS.
12. PLATING OPTION: MAYBE EITHER GOLD OR GXT PLATING AT MANUFACTURER'S OPTION .

Tous droits strictement reserves. Reproduction ou communication a des tiers interdite sous quelque forme que ce soit sans autorisation ecrite du propriétaire. Propriete de c FCI. Droits de reproduction FCI.

All rights strictly reserved. Reproduction or issue to third parties in any form whatever is not permitted without written authority from the proprietor. Property of FCI. Copyright FCI.

mat'l. code		tolerances unless otherwise specified		CUSTOMER COPY	 www.fciconnect.com
ltr	ecn no	dr	date	linear	
AF				.XX±.01/.X±.3	projection
				.XXX±.005/.XX±.13	
				.XXX±.0020/.XXX±.051	
				angles	INCH/MM
				dr J. SHREINER 1/16/90	product family QUICKIE
				enr M. SMYK 1/16/90	code
				chr M. SMYK 1/16/90	size
				appd M. SMYK 1/16/90	scale
					5:1
					A
					65823
					sheet 3 of 21

sheet index	revision sheet																			
21																				

1

2

PDM: Rev:AF

3

STATUS Released

Printed: Apr 12, 2011

4



	SIZE	LATCHES NOTE 7	PIN SHAPE	DIM A	DIM B	DIM C	DIM D	DIM E	TERMINAL PLATING NOTE 12	STYLE
65823-001(LF)	2x5	ND	RND	1.260/32.00	.400/10.16	.720/18.29	.105/2.67	.86/21.8	30u" / .76 Au OVER 50u" / 1.27uNi	A
-002(LF)			SQ				.105/2.67		150u" / 3.81u Sn	
-003(LF)			RND				.150/3.81		30u" / .76 Au OVER 50u" / 1.27uNi	
-004(LF)			SQ				.150/3.81		150u" / 3.81u Sn	
-005(LF)			SQ				.675/17.15		30u" / .76 Au OVER 50u" / 1.27uNi	
-006(LF)	2x5		SQ	1.260/32.00	.400/10.16	.720/18.29	.675/17.15	.86/21.8	150u" / 3.81u Sn	A
-007(LF)	2x7		RND	1.460/37.08	.600/15.24	.920/23.37	.105/2.67	1.06/26.9	30u" / .76 Au OVER 50u" / 1.27uNi	C
-008(LF)			SQ				.105/2.67		150u" / 3.81u Sn	
-009(LF)			RND				.150/3.81		30u" / .76 Au OVER 50u" / 1.27uNi	
-010(LF)			SQ				.150/3.81		150u" / 3.81u Sn	
-011(LF)			SQ				.675/17.15		30u" / .76 Au OVER 50u" / 1.27uNi	
-012(LF)	2x7		SQ	1.460/37.08	.600/15.24	.920/23.37	.675/17.15	1.06/26.9	150u" / 3.81u Sn	C
-013(LF)	2x8		RND	1.560/39.62	.700/17.78	1.020/25.91	.105/2.67	1.16/29.4	30u" / .76 Au OVER 50u" / 1.27uNi	D
-014(LF)			SQ				.105/2.67		150u" / 3.81u Sn	
-015(LF)			RND				.150/3.81		30u" / .76 Au OVER 50u" / 1.27uNi	
-016(LF)			SQ				.150/3.81		150u" / 3.81u Sn	
-017(LF)			SQ				.675/17.15		30u" / .76 Au OVER 50u" / 1.27uNi	
-018(LF)	2x8		SQ	1.560/39.62	.700/17.78	1.020/25.91	.675/17.15	1.16/29.4	150u" / 3.81u Sn	
-019(LF)	2x10		RND	1.760/44.70	.900/22.86	1.220/30.99	.105/2.67	1.36/34.5	30u" / .76 Au OVER 50u" / 1.27uNi	
-020(LF)			SQ				.105/2.67		150u" / 3.81u Sn	
-021(LF)			RND				.150/3.81		30u" / .76 Au OVER 50u" / 1.27uNi	
-022(LF)			SQ				.150/3.81		150u" / 3.81u Sn	
-023(LF)			SQ				.675/17.15		30u" / .76 Au OVER 50u" / 1.27uNi	
-024(LF)	2x10		SQ	1.760/44.70	.900/22.86	1.220/30.99	.675/17.15	1.36/34.5	150u" / 3.81u Sn	
-025(LF)	2x13		RND	2.060/52.32	1.200/30.48	1.520/38.61	.105/2.67	1.66/42.1	30u" / .76 Au OVER 50u" / 1.27uNi	
-026(LF)			SQ				.105/2.67		150u" / 3.81u Sn	
-027(LF)			RND				.150/3.81		30u" / .76 Au OVER 50u" / 1.27uNi	
-028(LF)			SQ				.150/3.81		150u" / 3.81u Sn	
-029(LF)			SQ				.675/17.15		30u" / .76 Au OVER 50u" / 1.27uNi	
-030(LF)	2x13		SQ	2.060/52.32	1.200/30.48	1.520/38.61	.675/17.15	1.66/42.1	150u" / 3.81u Sn	
-031(LF)	2x17		RND	2.460/62.48	1.600/40.64	1.920/48.77	.105/2.67	2.06/52.3	30u" / .76 Au OVER 50u" / 1.27uNi	
-032(LF)			SQ				.105/2.67		150u" / 3.81u Sn	
-033(LF)			RND				.150/3.81		30u" / .76 Au OVER 50u" / 1.27uNi	
-034(LF)			SQ				.150/3.81		150u" / 3.81u Sn	
-035(LF)			SQ				.675/17.15		30u" / .76 Au OVER 50u" / 1.27uNi	
65823-036(LF)	2x17	ND	SQ	2.460/62.48	1.600/40.64	1.920/48.77	.675/17.15	2.06/52.3	150u" / 3.81u Sn	D

mat'l. code		tolerances unless otherwise specified		CUSTOMER COPY	 www.fciconnect.com
ltr	ecn no	dr	date	linear	
AF				linear	projection
				angles	
				dr	J. SHREINER 1/16/90
				engr	M. SMYK 1/16/90
				chr	M. SMYK 1/16/90
				appd	M. SMYK 1/16/90
					INCH/MM
					scale
					5:1
sheet index		revision sheet		title	
21				HEADER, QUICKIE SEA, HORSE, RIGHT ANGLE	
				product family	code
				size	—
				dwg no	sheet
				A	4 of 21
				65823	

Tous droits strictement réservés. Reproduction ou communication a des tiers interdite sous quelque forme que ce soit sans autorisation écrite du propriétaire. Propriete de c FCI. Droits de reproduction FCI.



strictly reserved. Reproduction or issue to third parties in any form is not permitted without written authority from the proprietor. FCI. Copyright FCI.

1 | 2

3 |

4

	SIZE	LATCHES NOTE 7	PIN SHAPE	DIM A	DIM B	DIM C	DIM D	DIM E	TERMINAL PLATING NOTE 12	STYLE
65823-037(LF)	2x20	ND	RND	2.760/70.10	1.900/48.26	2.220/56.39	.105/2.67	2.36/59.9	30u"/.76u Au OVER 50u"/1.27u Ni	D
-038(LF)			SQ				.105/2.67		150u"/3.81u Sn	
-039(LF)			RND				.150/3.81		30u"/.76u Au OVER 50u"/1.27u Ni	
-040(LF)			SQ				.150/3.81		150u"/3.81u Sn	
-041(LF)			SQ				.675/17.15		30u"/.76u Au OVER 50u"/1.27u Ni	
-042(LF)	2x20		SQ	2.760/70.10	1.900/48.26	2.220/56.39	.675/17.15	2.36/59.9	150u"/3.81u Sn	
-043(LF)	2x25		RND	3.260/82.80	2.400/60.96	2.720/69.09	.105/2.67	2.86/72.6	30u"/.76u Au OVER 50u"/1.27u Ni	
-044(LF)			SQ				.105/2.67		150u"/3.81u Sn	
-045(LF)			RND				.150/3.81		30u"/.76u Au OVER 50u"/1.27u Ni	
-046(LF)			SQ				.150/3.81		150u"/3.81u Sn	
-047(LF)			SQ				.675/17.15		30u"/.76u Au OVER 50u"/1.27u Ni	
-048(LF)	2x25	ND	SQ	3.260/82.80	2.400/60.96	2.720/69.09	.675/17.15	2.86/72.6	150u"/3.81u Sn	D
-049(LF)	2x5	STD	RND	1.260/32.00	.400/10.16	.720/18.29	.105/2.67	.86/21.8	30u"/.76u Au OVER 50u"/1.27u Ni	A
-050(LF)			SQ				.105/2.67		150u"/3.81u Sn	
-051(LF)			RND				.150/3.81		30u"/.76u Au OVER 50u"/1.27u Ni	
-052(LF)			SQ				.150/3.81		150u"/3.81u Sn	
-053(LF)			SQ				.675/17.15		30u"/.76u Au OVER 50u"/1.27u Ni	
-054(LF)	2x5		SQ	1.260/32.00	.400/10.16	.720/18.29	.675/17.15	.86/21.8	150u"/3.81u Sn	A
-055(LF)	2x7		RND	1.460/37.08	.600/15.24	.920/23.37	.105/2.67	1.06/26.9	30u"/.76u Au OVER 50u"/1.27u Ni	C
-056(LF)			SQ				.105/2.67		150u"/3.81u Sn	
-057(LF)			RND				.150/3.81		30u"/.76u Au OVER 50u"/1.27u Ni	
-058(LF)			SQ				.150/3.81		150u"/3.81u Sn	
-059(LF)			SQ				.675/17.15		30u"/.76u Au OVER 50u"/1.27u Ni	
-060(LF)	2x7		SQ	1.460/37.08	.600/15.24	.920/23.37	.675/17.15	1.06/26.9	150u"/3.81u Sn	C
-061(LF)	2x8		RND	1.560/39.62	.700/17.78	1.020/25.91	.105/2.67	1.16/29.4	30u"/.76u Au OVER 50u"/1.27u Ni	D
-062(LF)			SQ				.105/2.67		150u"/3.81u Sn	
-063(LF)			RND				.150/3.81		30u"/.76u Au OVER 50u"/1.27u Ni	
-064(LF)			SQ				.150/3.81		150u"/3.81u Sn	
-065(LF)			SQ				.675/17.15		30u"/.76u Au OVER 50u"/1.27u Ni	
-066(LF)	2x8		SQ	1.560/39.62	.700/17.78	1.020/25.91	.675/17.15	1.16/29.4	150u"/3.81u Sn	
-067(LF)	2x10		RND	1.760/44.70	.900/22.86	1.220/30.99	.105/2.67	1.36/34.5	30u"/.76u Au OVER 50u"/1.27u Ni	
-068(LF)			SQ				.105/2.67		150u"/3.81u Sn	
-069(LF)			RND				.150/3.81		30u"/.76u Au OVER 50u"/1.27u Ni	
-070(LF)			SQ				.150/3.81		150u"/3.81u Sn	
-071(LF)			SQ				.675/17.15		30u"/.76u Au OVER 50u"/1.27u Ni	
65823-072(LF)	2x10	STD	SQ	1.760/44.70	.900/22.86	1.220/30.99	.675/17.15	1.36/34.5	150u"/3.81u Sn	D

mat'l. code				tolerances unless otherwise specified			CUSTOMER COPY	 www.fciconnect.com				
ltr	ecn no	dr	date	linear	.XX±.01/.X±.3		projection		title			
AF					.XXX±.005/.XX±.13						product family	code
					.XXX±.0020/.XXX±.051							
				angles	0°±2'		INCH/MM	size	dwg no			
				dr	J. SHREINER	1/16/90	scale	5:1	65823			
				enr	M. SMYK	1/16/90	STATUS	Released	5 of 21			
				appd	M. SMYK	1/16/90	Printed:	Apr 12, 2011				

Tous droits strictement reserves. Reproduction ou communication a des tiers interdite sous quelque forme que ce soit sans autorisation écrite du propriétaire. Propriete de c FCI. Droits de reproduction FCI.



All rights strictly reserved. Reproduction or issue to third parties in any form whatever is not permitted without written authority from the proprietor. Property of FCI. Copyright FCI.

	SIZE	LATCHES NOTE 7	PIN SHAPE	DIM A	DIM B	DIM C	DIM D	DIM E	TERMINAL PLATING NOTE 12	STYLE
65823-073 (LF)	2x13	STD	RND	2.060/52.32	1.200/30.48	1.520/38.61	.105/2.67	1.66/42.1	30u" / .76u Au OVER 50u" / 1.27u Ni	D
-074 (LF)			SQ				.105/2.67		150u" / 3.81u 1/27u Ni	
-075 (LF)			RND				.150/3.81		30u" / .76u Au OVER 50u" / 1.27u Ni	
-076 (LF)			SQ				.150/3.81		150u" / 3.81u 1/27u Ni	
-077 (LF)			SQ				.675/17.15		30u" / .76u Au OVER 50u" / 1.27u Ni	
-078 (LF)	2x13		SQ	2.060/52.32	1.200/30.48	1.520/38.61	.675/17.15	1.66/42.1	150u" / 3.81u 1/27u Ni	
-079 (LF)	2x17		RND	2.460/62.48	1.600/40.64	1.920/48.77	.105/2.67	2.06/52.3	30u" / .76u Au OVER 50u" / 1.27u Ni	
-080 (LF)			SQ				.105/2.67		150u" / 3.81u 1/27u Ni	
-081 (LF)			RND				.150/3.81		30u" / .76u Au OVER 50u" / 1.27u Ni	
-082 (LF)			SQ				.150/3.81		150u" / 3.81u 1/27u Ni	
-083 (LF)			SQ				.675/17.15		30u" / .76u Au OVER 50u" / 1.27u Ni	
-084 (LF)	2x17		SQ	2.460/62.48	1.600/40.64	1.920/48.77	.675/17.15	2.06/52.3	150u" / 3.81u 1/27u Ni	
-085 (LF)	2x20		RND	2.760/70.10	1.900/48.26	2.220/56.39	.105/2.67	2.36/59.9	30u" / .76u Au OVER 50u" / 1.27u Ni	
-086 (LF)			SQ				.105/2.67		150u" / 3.81u 1/27u Ni	
-087 (LF)			RND				.150/3.81		30u" / .76u Au OVER 50u" / 1.27u Ni	
-088 (LF)			SQ				.150/3.81		150u" / 3.81u 1/27u Ni	
-089 (LF)			SQ				.675/17.15		30u" / .76u Au OVER 50u" / 1.27u Ni	
-090 (LF)	2x20		SQ	2.760/70.10	1.900/48.26	2.220/56.39	.675/17.15	2.36/59.9	150u" / 3.81u 1/27u Ni	
-091 (LF)	2x25		RND	3.260/82.80	2.400/60.96	2.720/69.09	.105/2.67	2.86/72.6	30u" / .76u Au OVER 50u" / 1.27u Ni	
-092 (LF)			SQ				.105/2.67		150u" / 3.81u 1/27u Ni	
-093 (LF)			RND				.150/3.81		30u" / .76u Au OVER 50u" / 1.27u Ni	
-094 (LF)			SQ				.150/3.81		150u" / 3.81u 1/27u Ni	
-095 (LF)			SQ				.675/17.15		30u" / .76u Au OVER 50u" / 1.27u Ni	
-096 (LF)	2x25	STD	SQ	3.260/82.80	2.400/60.96	2.720/69.09	.675/17.15	2.86/72.6	150u" / 3.81u 1/27u Ni	
-097 (LF)	2x30	ND	RND	3.760/95.50	2.900/73.66	3.220/81.79	.105/2.67	3.36/85.3	30u" / .76u Au OVER 50u" / 1.27u Ni	
-098 (LF)			SQ				.105/2.67		150u" / 3.81u 1/27u Ni	
-099 (LF)			RND				.150/3.81		30u" / .76u Au OVER 50u" / 1.27u Ni	
-100 (LF)			SQ				.150/3.81		150u" / 3.81u 1/27u Ni	
-101 (LF)			SQ				.675/17.15		30u" / .76u Au OVER 50u" / 1.27u Ni	
-102 (LF)		ND	SQ				.675/17.15		150u" / 3.81u 1/27u Ni	
-103 (LF)		STD	RND				.105/2.67		30u" / .76u Au OVER 50u" / 1.27u Ni	
-104 (LF)			SQ				.105/2.67		150u" / 3.81u 1/27u Ni	
-105 (LF)			RND				.150/3.81		30u" / .76u Au OVER 50u" / 1.27u Ni	
-106 (LF)			SQ				.150/3.81		150u" / 3.81u 1/27u Ni	
-107 (LF)			SQ				.675/17.15		30u" / .76u Au OVER 50u" / 1.27u Ni	
65823-108 (LF)	2x30	STD	SQ	3.760/95.50	2.900/73.66	3.220/81.79	.675/17.15	3.36/85.3	150u" / 3.81u 1/27u Ni	D

mat'l. code				tolerances unless otherwise specified				CUSTOMER COPY		 www.fciconnect.com	
ltr	ecn no	dr	date	linear	.XX±.01/.X±.3			projection	 title HEADER, QUICKIE SEA, HORSE, RIGHT ANGLE		
AF					.XXX±.005/.XX±.13						
					.XXX±.0020/.XXX±.051						
					angles	0°±2°					
					dr	J. SHREINER	1/16/90				
				enr	M. SMYK	1/16/90	INCH/MM		product family QUICKIE		
				chr	M. SMYK	1/16/90	←		code -		
				appd	M. SMYK	1/16/90	→		size		
sheet index				revision sheet				scale		sheet	
21								5:1		6 of 21	



	SIZE	LATCHES NOTE 7	PIN SHAPE	DIM A	DIM B	DIM C	DIM D	DIM E	TERMINAL PLATING NOTE 12	STYLE
65823-145 (LF)	2x5	LP	RND	1.260/32.00	.400/10.16	.720/18.29	.105/2.67	.86/21.8	30u" / .76u Au DVER 50u" / 1.27u Ni	A
-146 (LF)			SQ				.105/2.67		150u" / 3.81u Sn	
-147 (LF)			RND				.150/3.81		30u" / .76u Au DVER 50u" / 1.27u Ni	
-148 (LF)			SQ				.150/3.81		150u" / 3.81u Sn	
-149 (LF)			SQ				.675/17.15		30u" / .76u Au DVER 50u" / 1.27u Ni	
-150 (LF)	2x5		SQ	1.260/32.00	.400/10.16	.720/18.29	.675/17.15	.86/21.8	150u" / 3.81u Sn	A
-151 (LF)	2x7		RND	1.460/37.08	.600/15.24	.920/23.37	.105/2.67	1.06/26.9	30u" / .76u Au DVER 50u" / 1.27u Ni	C
-152 (LF)			SQ				.105/2.67		150u" / 3.81u Sn	
-153 (LF)			RND				.150/3.81		30u" / .76u Au DVER 50u" / 1.27u Ni	
-154 (LF)			SQ				.150/3.81		150u" / 3.81u Sn	
-155 (LF)			SQ				.675/17.15		30u" / .76u Au DVER 50u" / 1.27u Ni	
-156 (LF)	2x7		SQ	1.460/37.08	.600/15.24	.920/23.37	.675/17.15	1.06/26.9	150u" / 3.81u Sn	C
-157 (LF)	2x8		RND	1.560/39.62	.700/17.78	1.020/25.91	.105/2.67	1.16/29.4	30u" / .76u Au DVER 50u" / 1.27u Ni	D
-158 (LF)			SQ				.105/2.67		150u" / 3.81u Sn	
-159 (LF)			RND				.150/3.81		30u" / .76u Au DVER 50u" / 1.27u Ni	
-160 (LF)			SQ				.150/3.81		150u" / 3.81u Sn	
-161 (LF)			SQ				.675/17.15		30u" / .76u Au DVER 50u" / 1.27u Ni	
-162 (LF)	2x8		SQ	1.560/39.62	.700/17.78	1.020/25.91	.675/17.15	1.16/29.4	150u" / 3.81u Sn	
-163 (LF)	2x10		RND	1.760/44.70	.900/22.86	1.220/30.99	.105/2.67	1.36/34.5	30u" / .76u Au DVER 50u" / 1.27u Ni	
-164 (LF)			SQ				.105/2.67		150u" / 3.81u Sn	
-165 (LF)			RND				.150/3.81		30u" / .76u Au DVER 50u" / 1.27u Ni	
-166 (LF)			SQ				.150/3.81		150u" / 3.81u Sn	
-167 (LF)			SQ				.675/17.15		30u" / .76u Au DVER 50u" / 1.27u Ni	
-168 (LF)	2x10		SQ	1.760/44.70	.900/22.86	1.220/30.99	.675/17.15	1.36/34.5	150u" / 3.81u Sn	
-169 (LF)	2x13		RND	2.060/52.32	1.200/30.48	1.520/38.61	.105/2.67	1.66/42.1	30u" / .76u Au DVER 50u" / 1.27u Ni	
-170 (LF)			SQ				.105/2.67		150u" / 3.81u Sn	
-171 (LF)			RND				.150/3.81		30u" / .76u Au DVER 50u" / 1.27u Ni	
-172 (LF)			SQ				.150/3.81		150u" / 3.81u Sn	
-173 (LF)			SQ				.675/17.15		30u" / .76u Au DVER 50u" / 1.27u Ni	
-174 (LF)	2x13		SQ	2.060/52.32	1.200/30.48	1.520/38.61	.675/17.15	1.66/42.1	150u" / 3.81u Sn	
-175 (LF)	2x17		RND	2.460/62.48	1.600/40.64	1.920/48.77	.105/2.67	2.06/52.3	30u" / .76u Au DVER 50u" / 1.27u Ni	
-176 (LF)			SQ				.105/2.67		150u" / 3.81u Sn	
-177 (LF)			RND				.150/3.81		30u" / .76u Au DVER 50u" / 1.27u Ni	
-178 (LF)			SQ				.150/3.81		150u" / 3.81u Sn	
-179 (LF)			SQ				.675/17.15		30u" / .76u Au DVER 50u" / 1.27u Ni	
65823-180 (LF)	2x17	LP	SQ	2.460/62.48	1.600/40.64	1.920/48.77	.675/17.15	2.06/52.3	150u" / 3.81u Sn	D

mat'l. code				tolerances unless otherwise specified			CUSTOMER COPY		FCI www.fciconnect.com	
ltr	ecn no	dr	date	linear	.XX±.01/.X±.3		projection	title HEADER, QUICKIE SEA, HORSE, RIGHT ANGLE		
AF					.XXX±.005/.XX±.13					
					.XXX±.0020/.XXX±.051					
				angles	0°±2°		INCH/MM	product family QUICKIE		
				dr	J. SHREINER	1/16/90		code		
				engr	M. SMYK	1/16/90		-		
				chr	M. SMYK	1/16/90	scale 5:1	sizer dwg no		
				appd	M. SMYK	1/16/90		A 65823		
sheet index		revision sheet								
21										



	SIZE	LATCHES NOTE 7	PIN SHAPE	DIM A	DIM B	DIM C	DIM D	DIM E	TERMINAL PLATING NOTE 12	STYLE
65823-181(LF)	2x20	LP	RND	2.760/70.10	1.900/48.26	2.220/56.39	.105/2.67	2.36/59.9	30u"/.76u DVER 50u"/1.27u Ni	D
-182(LF)			SQ				.105/2.67		150u"/3.81u Sn	
-183(LF)			RND				.150/3.81		30u"/.76u DVER 50u"/1.27u Ni	
-184(LF)			SQ				.150/3.81		150u"/3.81u Sn	
-185(LF)			SQ				.675/17.15		30u"/.76u DVER 50u"/1.27u Ni	
-186(LF)	2x20		SQ	2.760/70.10	1.900/48.26	2.220/56.39	.675/17.15	2.36/59.9	150u"/3.81u Sn	
-187(LF)	2x25		RND	3.260/82.80	2.400/60.96	2.720/69.09	.105/2.67	2.86/72.6	30u"/.76u DVER 50u"/1.27u Ni	
-188(LF)			SQ				.105/2.67		150u"/3.81u Sn	
-189(LF)			RND				.150/3.81		30u"/.76u DVER 50u"/1.27u Ni	
-190(LF)			SQ				.150/3.81		150u"/3.81u Sn	
-191(LF)			SQ				.675/17.15		30u"/.76u DVER 50u"/1.27u Ni	
-192(LF)	2x25		SQ	3.260/82.80	2.400/60.96	2.720/69.09	.675/17.15	2.86/72.6	150u"/3.81u Sn	
-193(LF)	2x30		RND	3.760/95.50	2.900/73.66	3.220/81.79	.105/2.67	3.36/85.3	30u"/.76u DVER 50u"/1.27u Ni	
-194(LF)			SQ				.105/2.67		150u"/3.81u Sn	
-195(LF)			RND				.150/3.81		30u"/.76u DVER 50u"/1.27u Ni	
-196(LF)			SQ				.150/3.81		150u"/3.81u Sn	
-197(LF)			SQ				.675/17.15		30u"/.76u DVER 50u"/1.27u Ni	
-198(LF)	2x30			3.760/95.50	2.900/73.66	3.220/81.79	.675/17.15	3.36/85.3	150u"/3.81u Sn	D
-199(LF)	2x5			1.260/32.00	.400/10.16	.720/18.29	.105/2.67	.86/21.8	30u"/.76u DVER 50u"/1.27u Ni	A
-200(LF)	2x7			1.460/37.08	.600/15.24	.920/23.37		1.06/26.9		C
-201(LF)	2x8			1.560/39.62	.700/17.78	1.020/25.91		1.16/29.4		D
-202(LF)	2x10			1.760/44.70	.900/22.86	1.220/30.99		1.36/34.5		
-203(LF)	2x13			2.060/52.32	1.200/30.48	1.520/38.61		1.66/42.1		
-204(LF)	2x17			2.460/62.48	1.600/40.64	1.920/48.77		2.06/52.3		
-205(LF)	2x20			2.760/70.10	1.900/48.26	2.220/56.39		2.36/59.9		
-206(LF)	2x25			3.260/82.80	2.400/60.96	2.720/69.09		2.86/72.6		
-207(LF)	2x30		SQ	3.760/95.50	2.900/73.66	3.220/81.79	.105/2.67	3.36/85.3	30u"/.76u DVER 50u"/1.27u Ni	D
-208(LF)	2x5		RND	1.260/32.00	.400/10.16	.720/18.29	.150/3.81	.86/21.8	30u"/.76u GXT/GOLD FLASH	A
-209(LF)	2x7			1.460/37.08	.600/15.24	.920/23.37		1.06/26.9		C
-210(LF)	2x8			1.560/39.62	.700/17.78	1.020/25.91		1.16/29.4		D
-211(LF)	2x10			1.760/44.70	.900/22.86	1.220/30.99		1.36/34.5		
-212(LF)	2x13			2.060/52.32	1.200/30.48	1.520/38.61		1.66/42.1		
-213(LF)	2x17			2.460/62.48	1.600/40.64	1.920/48.77		2.06/52.3		
-214(LF)	2x20			2.760/70.10	1.900/48.26	2.220/56.39		2.36/59.9		
-215(LF)	2x25			3.260/82.80	2.400/60.96	2.720/69.09		2.86/72.6		
65823-216(LF)	2x30	LP	RND	3.760/95.50	2.900/73.66	3.220/81.79	.150/3.81	3.36/85.3	30u"/.76u GXT/GOLD FLASH	D

mat'l. code				tolerances unless otherwise specified			CUSTOMER COPY		FCI www.fciconnect.com	
ltr	ecn no	dr	date	linear	.XX±.01/.X±.3		projection	title HEADER, QUICKIE SEA, HORSE, RIGHT ANGLE		
AF					.XXX±.005/.XX±.13					
					.XXX±.0020/.XXX±.051					
				angles	0°±2°		INCH/MM	product family QUICKIE		
				dr	J. SHREINER	1/16/90		code		
				enrg	M. SMYK	1/16/90		sheet		
				chr	M. SMYK	1/16/90	scale 5:1	size dwg no		
				appd	M. SMYK	1/16/90		A 65823		
sheet index		revision sheet								
21										

Tous droits strictement reserves. Reproduction ou communication a des tiers interalite sous quelle forme que ce soit sans autorisation ecrite du propriétaire. Propriete de c FCI. Droits de reproduction FCI.



All rights strictly reserved. Reproduction or issue to third parties in any form whatever is not permitted without written authority from the proprietor. Property of FCI. Copyright FCI.

	SIZE	LATCHES NOTE 7	PIN SHAPE	DIM A	DIM B	DIM C	DIM D	DIM E	TERMINAL PLATING NOTE 12	STYLE
65823-217(LF)	2x5	ND	RND	1.260/32.00	.400/10.16	.720/18.29	.105/2.67	.86/21.8	30u" / .76u GXT/GOLD FLASH	A
-218(LF)	2x7			1.460/37.08	.600/15.24	.920/23.37		1.06/26.9		C
-219(LF)	2x8			1.560/39.62	.700/17.78	1.020/25.91		1.16/29.4		D
-220(LF)	2x10			1.760/44.70	.900/22.86	1.220/30.99		1.36/34.5		
-221(LF)	2x13			2.060/52.32	1.200/30.48	1.520/38.61		1.66/42.1		
-222(LF)	2x17			2.460/62.48	1.600/40.64	1.920/48.77		2.06/52.3		
-223(LF)	2x20			2.760/70.10	1.900/48.26	2.220/56.39		2.36/59.9		
-224(LF)	2x25			3.260/82.80	2.400/60.96	2.720/69.09		2.86/72.6		
-225(LF)	2x30		RND	3.760/95.50	2.900/73.66	3.220/81.79	.105/2.67	3.36/85.3		D
-226(LF)	2x5		SQ	1.260/32.00	.400/10.16	.720/18.29	.675/17.15	.86/21.8		A
-227(LF)	2x7			1.460/37.08	.600/15.24	.920/23.37		1.06/26.9		C
-228(LF)	2x8			1.560/39.62	.700/17.78	1.020/25.91		1.16/29.4		D
-229(LF)	2x10			1.760/44.70	.900/22.86	1.220/30.99		1.36/34.5		
-230(LF)	2x13			2.060/52.32	1.200/30.48	1.520/38.61		1.66/42.1		
-231(LF)	2x17			2.460/62.48	1.600/40.64	1.920/48.77		2.06/52.3		
-232(LF)	2x20			2.760/70.10	1.900/48.26	2.220/56.39		2.36/59.9		
-233(LF)	2x25			3.260/82.80	2.400/60.96	2.720/69.09		2.86/72.6		
-234(LF)	2x30	ND	SQ	3.760/95.50	2.900/73.66	3.220/81.79	.675/17.15	3.36/85.3		D
-235(LF)	2x5	STD	RND	1.260/32.00	.400/10.16	.720/18.29	.105/2.67	.86/21.8		A
-236(LF)	2x7			1.460/37.08	.600/15.24	.920/23.37		1.06/26.9		C
-237(LF)	2x8			1.560/39.62	.700/17.78	1.020/25.91		1.16/29.4		D
-238(LF)	2x10			1.760/44.70	.900/22.86	1.220/30.99		1.36/34.5		
-239(LF)	2x13			2.060/52.32	1.200/30.48	1.520/38.61		1.66/42.1		
-240(LF)	2x17			2.460/62.48	1.600/40.64	1.920/48.77		2.06/52.3		
-241(LF)	2x20			2.760/70.10	1.900/48.26	2.220/56.39		2.36/59.9		
-242(LF)	2x25			3.260/82.80	2.400/60.96	2.720/69.09		2.86/72.6		
-243(LF)	2x30		RND	3.760/95.50	2.900/73.66	3.220/81.79	.105/2.67	3.36/85.3		D
-244(LF)	2x5		SQ	1.260/32.00	.400/10.16	.720/18.29	.150/3.81	.86/21.8		A
-245(LF)	2x7			1.460/37.08	.600/15.24	.920/23.37		1.06/26.9		C
-246(LF)	2x8			1.560/39.62	.700/17.78	1.020/25.91		1.16/29.4		D
-247(LF)	2x10			1.760/44.70	.900/22.86	1.220/30.99		1.36/34.5		
-248(LF)	2x13			2.060/52.32	1.200/30.48	1.520/38.61		1.66/42.1		
-249(LF)	2x17			2.460/62.48	1.600/40.64	1.920/48.77		2.06/52.3		
-250(LF)	2x20			2.760/70.10	1.900/48.26	2.220/56.39		2.36/59.9		
-251(LF)	2x25			3.260/82.80	2.400/60.96	2.720/69.09		2.86/72.6		
65823-252(LF)	2x30	STD	SQ	3.760/95.50	2.900/73.66	3.220/81.79	.150/3.81	3.36/85.3	30u" / .76u GXT/GOLD FLASH	D

mat'l. code		tolerances unless otherwise specified		CUSTOMER COPY		 www.fciconnect.com	
ltr	ecn no	dr	date	linear	.XX±.01/.X±.3	projection	
AF					.XXX±.005/.XX±.13		
				angles	.XXX±.0020/.XXX±.051	INCH/MM	title HEADER, QUICKIE SEA, HORSE, RIGHT ANGLE
				dr	0°±2'		
				enr	J. SHREINER 1/16/90	scale	product family QUICKIE
				chr	M. SMYK 1/16/90		
				appd	M. SMYK 1/16/90		
	sheet index	revision sheet				5:1	size 65823
	21						code -
							sheet 10 of 21

Tous droits strictement reserves. Reproduction ou communication a des tiers interdite sous quelque forme que ce soit sans autorisation ecrite du propriétaire. Propriete de c FCI. Droits de reproduction FCI.



All rights strictly reserved. Reproduction or issue to third parties in any form whatever is not permitted without written authority from the proprietor. Property of FCI. Copyright FCI.

	SIZE	LATCHES NOTE 7	PIN SHAPE	DIM A	DIM B	DIM C	DIM D	DIM E	TERMINAL PLATING NOTE 12	STYLE
65823-253(LF)	2x5	LP	RND	1.260/32.00	.400/10.16	.720/18.29	.105/2.67	.86/21.8	30u"/.76u GXT/GOLD FLASH	A
-254(LF)	2x7			1.460/37.08	.600/15.24	.920/23.37		1.06/26.9		C
-255(LF)	2x8			1.560/39.62	.700/17.78	1.020/25.91		1.16/29.4		D
-256(LF)	2x10			1.760/44.70	.900/22.86	1.220/30.99		1.36/34.5		
-257(LF)	2x13			2.060/52.32	1.200/30.48	1.520/38.61		1.66/42.1		
-258(LF)	2x17			2.460/62.48	1.600/40.64	1.920/48.77		2.06/52.3		
-259(LF)	2x20			2.760/70.10	1.900/48.26	2.220/56.39		2.36/59.9		
-260(LF)	2x25			3.260/82.80	2.400/60.96	2.720/69.09		2.86/72.6		
-261(LF)	2x30		RND	3.760/95.50	2.900/73.66	3.220/81.79	.105/2.67	3.36/85.3		D
-262(LF)	2x5		SQ	1.260/32.00	.400/10.16	.720/18.29	.675/17.15	.86/21.8		A
-263(LF)	2x7			1.460/37.08	.600/15.24	.920/23.37		1.06/26.9		C
-264(LF)	2x8			1.560/39.62	.700/17.78	1.020/25.91		1.16/29.4		D
-265(LF)	2x10			1.760/44.70	.900/22.86	1.220/30.99		1.36/34.5		
-266(LF)	2x13			2.060/52.32	1.200/30.48	1.520/38.61		1.66/42.1		
-267(LF)	2x17			2.460/62.48	1.600/40.64	1.920/48.77		2.06/52.3		
-268(LF)	2x20			2.760/70.10	1.900/48.26	2.220/56.39		2.36/59.9		
-269(LF)	2x25			3.260/82.80	2.400/60.96	2.720/69.09		2.86/72.6		
-270(LF)	2x30	LP	SQ	3.760/95.50	2.900/73.66	3.220/81.79	.675/17.15	3.36/85.3	30u"/.76u GXT/GOLD FLASH	D
-271(LF)	2x5	ND	RND	1.260/32.00	.400/10.16	.720/18.29	.105/2.67	.86/21.8	15u"/.38u Au OVER 50u"/1.27u Ni	A
-272(LF)	2x7			1.460/37.08	.600/15.24	.920/23.37		1.06/26.9		C
-273(LF)	2x8			1.560/39.62	.700/17.78	1.020/25.91		1.16/29.4		D
-274(LF)	2x10			1.760/44.70	.900/22.86	1.220/30.99		1.36/34.5		
-275(LF)	2x13			2.060/52.32	1.200/30.48	1.520/38.61		1.66/42.1		
-276(LF)	2x17			2.460/62.48	1.600/40.64	1.920/48.77		2.06/52.3		
-277(LF)	2x20			2.760/70.10	1.900/48.26	2.220/56.39		2.36/59.9		
-278(LF)	2x25			3.260/82.80	2.400/60.96	2.720/69.09		2.86/72.6		
-279(LF)	2x30			3.760/95.50	2.900/73.66	3.220/81.79	.105/2.67	3.36/85.3		D
-280(LF)	2x5			1.260/32.00	.400/10.16	.720/18.29	.150/3.81	.86/21.8		A
-281(LF)	2x7			1.460/37.08	.600/15.24	.920/23.37		1.06/26.9		C
-282(LF)	2x8			1.560/39.62	.700/17.78	1.020/25.91		1.16/29.4		D
-283(LF)	2x10			1.760/44.70	.900/22.86	1.220/30.99		1.36/34.5		
-284(LF)	2x13			2.060/52.32	1.200/30.48	1.520/38.61		1.66/42.1		
-285(LF)	2x17			2.460/62.48	1.600/40.64	1.920/48.77		2.06/52.3		
-286(LF)	2x20			2.760/70.10	1.900/48.26	2.220/56.39		2.36/59.9		
-287(LF)	2x25			3.260/82.80	2.400/60.96	2.720/69.09		2.86/72.6		
65823-288(LF)	2x30	ND	RND	3.760/95.50	2.900/73.66	3.220/81.79	.150/3.81	3.36/85.3	15u"/.38u Au OVER 50u"/1.27u Ni	D

mat'l. code				tolerances unless otherwise specified				CUSTOMER COPY		 www.fciconnect.com				
ltr	ecn no	dr	date	linear	.XX±.01/.X±.3			projection	 INCH/MM		title			
AF					.XXX±.005/.XX±.13						HEADER, QUICKIE			
					.XXX±.0020/.XXX±.051						SEA, HORSE, RIGHT ANGLE			
					angles	0°±2'					product family		code	
					dr	J. SHREINER	1/16/90				QUICKIE		-	
				enr	M. SMYK	1/16/90		size		sheet				
				chr	M. SMYK	1/16/90		scale		11 of 21				
				appd	M. SMYK	1/16/90		5:1						
sheet index		revision sheet												
21														

Tous droits strictement reserves. Reproduction ou communication a des tiers interalite sous quelque forme que ce soit sans autorisation ecrite du propriétaire. Propriete de c FCI. Droits de reproduction FCI.



All rights strictly reserved. Reproduction or issue to third parties in any form whatever is not permitted without written authority from the proprietor. Property of FCI. Copyright FCI.

	SIZE	LATCHES NOTE 7	PIN SHAPE	DIM A	DIM B	DIM C	DIM D	DIM E	TERMINAL PLATING NOTE 12	STYLE
65823-289(LF)	2x5	ND	SQ	1.260/32.00	.400/10.16	.720/18.29	.105/2.67	.86/21.8	15u".38u Au OVER 50u"/1.27u Ni	A
-290(LF)	2x7			1.460/37.08	.600/15.24	.920/23.37		1.06/26.9		C
-291(LF)	2x8			1.560/39.62	.700/17.78	1.020/25.91		1.16/29.4		D
-292(LF)	2x10			1.760/44.70	.900/22.86	1.220/30.99		1.36/34.5		
-293(LF)	2x13			2.060/52.32	1.200/30.48	1.520/38.61		1.66/42.1		
-294(LF)	2x17			2.460/62.48	1.600/40.64	1.920/48.77		2.06/52.3		
-295(LF)	2x20			2.760/70.10	1.900/48.26	2.220/56.39		2.36/59.9		
-296(LF)	2x25			3.260/82.80	2.400/60.96	2.720/69.09		2.86/72.6		
-297(LF)	2x30	ND	SQ	3.760/95.50	2.900/73.66	3.220/81.79	.105/2.67	3.36/85.3		D
-298(LF)	2x5	STD	RND	1.260/32.00	.400/10.16	.720/18.29	.675/17.15	.86/21.8		A
-299(LF)	2x7			1.460/37.08	.600/15.24	.920/23.37		1.06/26.9		C
-300(LF)	2x8			1.560/39.62	.700/17.78	1.020/25.91		1.16/29.4		D
-301(LF)	2x10			1.760/44.70	.900/22.86	1.220/30.99		1.36/34.5		
-302(LF)	2x13			2.060/52.32	1.200/30.48	1.520/38.61		1.66/42.1		
-303(LF)	2x17			2.460/62.48	1.600/40.64	1.920/48.77		2.06/52.3		
-304(LF)	2x20			2.760/70.10	1.900/48.26	2.220/56.39		2.36/59.9		
-305(LF)	2x25			3.260/82.80	2.400/60.96	2.720/69.09		2.86/72.6		
-306(LF)	2x30			3.760/95.50	2.900/73.66	3.220/81.79	.675/17.15	3.36/85.3		D
-307(LF)	2x5			1.260/32.00	.400/10.16	.720/18.29	.105/2.67	.86/21.8		A
-308(LF)	2x7			1.460/37.08	.600/15.24	.920/23.37		1.06/26.9		C
-309(LF)	2x8			1.560/39.62	.700/17.78	1.020/25.91		1.16/29.4		D
-310(LF)	2x10			1.760/44.70	.900/22.86	1.220/30.99		1.36/34.5		
-311(LF)	2x13			2.060/52.32	1.200/30.48	1.520/38.61		1.66/42.1		
-312(LF)	2x17			2.460/62.48	1.600/40.64	1.920/48.77		2.06/52.3		
-313(LF)	2x20			2.760/70.10	1.900/48.26	2.220/56.39		2.36/59.9		
-314(LF)	2x25			3.260/82.80	2.400/60.96	2.720/69.09		2.86/72.6		
-315(LF)	2x30		RND	3.760/95.50	2.900/73.66	3.220/81.79	.105/2.67	3.36/85.3		D
-316(LF)	2x5		SQ	1.260/32.00	.400/10.16	.720/18.29	.150/3.81	.86/21.8		A
-317(LF)	2x7			1.460/37.08	.600/15.24	.920/23.37		1.06/26.9		C
-318(LF)	2x8			1.560/39.62	.700/17.78	1.020/25.91		1.16/29.4		D
-319(LF)	2x10			1.760/44.70	.900/22.86	1.220/30.99		1.36/34.5		
-320(LF)	2x13			2.060/52.32	1.200/30.48	1.520/38.61		1.66/42.1		
-311(LF)	2x17			2.460/62.48	1.600/40.64	1.920/48.77		2.06/52.3		
-312(LF)	2x20			2.760/70.10	1.900/48.26	2.220/56.39		2.36/59.9		
-313(LF)	2x25			3.260/82.80	2.400/60.96	2.720/69.09		2.86/72.6		
65823-313(LF)	2x30	STD	SQ	3.760/95.50	2.900/73.66	3.220/81.79	.150/3.81	3.36/85.3	15u".38u Au OVER 50u"/1.27u Ni	D

mat'l. code				tolerances unless otherwise specified				CUSTOMER COPY		FCI www.fciconnect.com		
ltr	ecn no	dr	date	linear	.XX±.01/.X±.3			projection	title			
AF					.XXX±.005/.XX±.13				HEADER, QUICKIE			
					.XXX±.0020/.XXX±.051				SEA, HORSE, RIGHT ANGLE			
					angles	0°±2°			product family QUICKIE			
					dr	J. SHREINER	1/16/90		INCH/MM		code	
				enr	M. SMYK	1/16/90	← INCH/MM →		size			
				chr	M. SMYK	1/16/90	scale		sheet			
				appd	M. SMYK	1/16/90	5:1		12 of 21			
sheet index		revision sheet										
21												

Tous droits strictement reserves. Reproduction ou communication a des tiers interdite sous quelque forme que ce soit sans autorisation ecrite du propriétaire. Propriete de c FCI. Droits de reproduction FCI.



All rights strictly reserved. Reproduction or issue to third parties in any form whatever is not permitted without written authority from the proprietor. Property of FCI. Copyright FCI.

	SIZE	LATCHES NOTE 7	PIN SHAPE	DIM A	DIM B	DIM C	DIM D	DIM E	TERMINAL PLATING NOTE 12	STYLE
65823-325 (LF)	2x5	LP	RND	1.260/32.00	.400/10.16	.720/18.29	.105/2.67	.86/21.8	15u"/.38u Au DVER 50u"/1.27u Ni	A
-326 (LF)	2x7			1.460/37.08	.600/15.24	.920/23.37		1.06/26.9		C
-327 (LF)	2x8			1.560/39.62	.700/17.78	1.020/25.91		1.16/29.4		D
-328 (LF)	2x10			1.760/44.70	.900/22.86	1.220/30.99		1.36/34.5		
-329 (LF)	2x13			2.060/52.32	1.200/30.48	1.520/38.61		1.66/42.1		
-330 (LF)	2x17			2.460/62.48	1.600/40.64	1.920/48.77		2.06/52.3		
-331 (LF)	2x20			2.760/70.10	1.900/48.26	2.220/56.39		2.36/59.9		
-332 (LF)	2x25			3.260/82.80	2.400/60.96	2.720/69.09		2.86/72.6		
-333 (LF)	2x30			3.760/95.50	2.900/73.66	3.220/81.79	.105/2.67	3.36/85.3		D
-334 (LF)	2x5			1.260/32.00	.400/10.16	.720/18.29	.150/3.81	.86/21.8		A
-335 (LF)	2x7			1.460/37.08	.600/15.24	.920/23.37		1.06/26.9		C
-336 (LF)	2x8			1.560/39.62	.700/17.78	1.020/25.91		1.16/29.4		D
-337 (LF)	2x10			1.760/44.70	.900/22.86	1.220/30.99		1.36/34.5		
-338 (LF)	2x13			2.060/52.32	1.200/30.48	1.520/38.61		1.66/42.1		
-339 (LF)	2x17			2.460/62.48	1.600/40.64	1.920/48.77		2.06/52.3		
-340 (LF)	2x20			2.760/70.10	1.900/48.26	2.220/56.39		2.36/59.9		
-341 (LF)	2x25			3.260/82.80	2.400/60.96	2.720/69.09		2.86/72.6		
-342 (LF)	2x30		RND	3.760/95.50	2.900/73.66	3.220/81.79	.150/3.81	3.36/85.3		D
-343 (LF)	2x5		SQ	1.260/32.00	.400/10.16	.720/18.29	.675/17.15	.86/21.8		A
-344 (LF)	2x7			1.460/37.08	.600/15.24	.920/23.37		1.06/26.9		C
-345 (LF)	2x8			1.560/39.62	.700/17.78	1.020/25.91		1.16/29.4		D
-346 (LF)	2x10			1.760/44.70	.900/22.86	1.220/30.99		1.36/34.5		
-347 (LF)	2x13			2.060/52.32	1.200/30.48	1.520/38.61		1.66/42.1		
-348 (LF)	2x17			2.460/62.48	1.600/40.64	1.920/48.77		2.06/52.3		
-349 (LF)	2x20			2.760/70.10	1.900/48.26	2.220/56.39		2.36/59.9		
-350 (LF)	2x25			3.260/82.80	2.400/60.96	2.720/69.09		2.86/72.6		
-351 (LF)	2x30	LP	SQ	3.760/95.50	2.900/73.66	3.220/81.79	.675/17.15	3.36/85.3	15u"/.38u Au DVER 50u"/1.27u Ni	
-352 (LF)	2x25	66258	RND	3.260/82.80	2.400/60.96	2.720/69.09	.105/2.67	2.86/72.6	30u"/.76u Au DVER 50u"/1.27u Ni	D
-353 (LF)	2x7	ND		1.460/37.08	.600/15.24	.920/23.37		1.06/26.9		C
-354 (LF)	2x8			1.560/39.62	.700/17.78	1.020/25.91		1.16/29.4		D
-355 (LF)	2x10			1.760/44.70	.900/22.86	1.220/30.99		1.36/34.5		
-356 (LF)	2x13			2.060/52.32	1.200/30.48	1.520/38.61		1.66/42.1		
-357 (LF)	2x17			2.460/62.48	1.600/40.64	1.920/48.77		2.06/52.3		
-358 (LF)	2x20			2.760/70.10	1.900/48.26	2.220/56.39		2.36/59.9		
-359 (LF)	2x25			3.260/82.80	2.400/60.96	2.720/69.09		2.86/72.6		
65823-360 (LF)	2x30	ND	RND	3.760/95.50	2.900/73.66	3.220/81.79	.105/2.67	3.36/85.3	30u"/.76u Au DVER 50u"/1.27u Ni	D

*CUSTOMER SPECIAL

mat'l. code				tolerances unless otherwise specified		CUSTOMER COPY	 www.fciconnect.com	
ltr	ecn no	dr	date	linear	.XX±.01/.X±.3	projection	title	
AF					.XXX±.005/.XX±.13		 HEADER, QUICKIE	
				angles	0°±2°	INCH/MM	product family	
				dr	J. SHREINER 1/16/90		QUICKIE	
				enr	M. SMYK 1/16/90	scale	size	
				chr	M. SMYK 1/16/90		dwg no	
				appd	M. SMYK 1/16/90		65823	
sheet index		revision sheet				5:1	A	code
21								sheet
								13 of 21

Tous droits strictement reserves. Reproduction ou communication a des tiers interdite sous quelque forme que ce soit sans autorisation écrite du propriétaire. Propriete de c FCI. Droits de reproduction FCI.



All rights strictly reserved. Reproduction or issue to third parties in any form whatever is not permitted without written authority from the proprietor. Property of FCI. Copyright FCI.

	SIZE	LATCHES NOTE 7	PIN SHAPE	DIM A	DIM B	DIM C	DIM D	DIM E	TERMINAL PLATING NOTE 12	STYLE
65823-361(LF)	2x5	ND	RND	1.260/32.00	.400/10.16	.720/18.29	.105/2.67	.86/21.8	30u"/.76u Au OVER 50u"/.1.27u Ni	A
-362(LF)		ND	RND						30u"/.76u Au OVER 50u"/.1.27u Ni	B
-363(LF)		ND	RND						15"/.38u Au OVER 50u"/.1.27u Ni	
-364(LF)		ND	RND						30u"/.76u GXT/GOLD FLASH	
-365(LF)		ND	SQ						150u"/3.81u Sn	
-366(LF)		STD	RND						30u"/.76u Au OVER 50u"/.1.27u Ni	
-367(LF)		STD	RND						15"/.38u Au OVER 50u"/.1.27u Ni	
-368(LF)		STD	RND						30u"/.76u GXT/GOLD FLASH	
-369(LF)		STD	SQ						150u"/3.81u Sn	
-370(LF)		LP	RND						30u"/.76u Au OVER 50u"/.1.27u Ni	
-371(LF)		LP	RND						15"/.38u Au OVER 50u"/.1.27u Ni	
-372(LF)		LP	RND						30u"/.76u GXT/GOLD FLASH	
-373(LF)		LP	SQ				.105/2.67		150u"/3.81u Sn	
-374(LF)		ND	RND				.150/3.81		30u"/.76u Au OVER 50u"/.1.27u Ni	
-375(LF)		ND	RND						15"/.38u Au OVER 50u"/.1.27u Ni	
-376(LF)		ND	RND						30u"/.76u GXT/GOLD FLASH	
-377(LF)		ND	SQ						150u"/3.81u Sn	
-378(LF)		STD	RND						30u"/.76u Au OVER 50u"/.1.27u Ni	
-379(LF)		STD	RND						15"/.38u Au OVER 50u"/.1.27u Ni	
-380(LF)		STD	RND						30u"/.76u GXT/GOLD FLASH	
-381(LF)		STD	SQ						150u"/3.81u Sn	
-382(LF)		LP	RND						30u"/.76u Au OVER 50u"/.1.27u Ni	
-383(LF)		LP	RND						15"/.38u Au OVER 50u"/.1.27u Ni	
-384(LF)		LP	RND						30u"/.76u GXT/GOLD FLASH	
-385(LF)		LP	SQ				.150/3.81		150u"/3.81u Sn	
-386(LF)		ND	SQ				.675/17.15		30u"/.76u Au OVER 50u"/.1.27u Ni	
-387(LF)		ND							15"/.38u Au OVER 50u"/.1.27u Ni	
-388(LF)		ND							30u"/.76u GXT/GOLD FLASH	
-389(LF)		ND							150u"/3.81u Sn	
-390(LF)		STD							30u"/.76u Au OVER 50u"/.1.27u Ni	
-391(LF)		STD							15"/.38u Au OVER 50u"/.1.27u Ni	
-392(LF)		STD							30u"/.76u GXT/GOLD FLASH	
-393(LF)		STD							150u"/3.81u Sn	
-394(LF)		LP							30u"/.76u Au OVER 50u"/.1.27u Ni	
-395(LF)		LP							15"/.38u Au OVER 50u"/.1.27u Ni	
65823-396(LF)	2x5	LP	SQ	1.260/32.00	.400/10.16	.720/18.29	.675/17.15	.86/21.8	30u"/.76u GXT/GOLD FLASH	B

*CUSTOMER SPECIAL

mat'l. code				tolerances unless otherwise specified				CUSTOMER COPY		FCI www.fciconnect.com	
ltr	ecn no	dr	date	linear	.XX±.01/.X±.3			projection	title		
AF					.XXX±.005/.XX±.13				HEADER, QUICKIE		
				angles	.XXX±.0020/.XXX±.051			INCH/MM	SEA, HORSE, RIGHT ANGLE		
					0°±2°				product family QUICKIE		
				dr	J. SHREINER	1/16/90	scale	5:1	size		code
				enr	M. SMYK	1/16/90			dwg no		-
				chr	M. SMYK	1/16/90			A		sheet
				appd	M. SMYK	1/16/90			65823		14of 21
21	sheet index	revision sheet									

Tous droits strictement reserves. Reproduction ou communication a des tiers interdite sous quelque forme que ce soit sans autorisation ecrite du propriétaire. Propriete de c FCI. Droits de reproduction FCI.



All rights strictly reserved. Reproduction or issue to third parties in any form whatever is not permitted without written authority from the proprietor. Property of FCI. Copyright FCI.

	SIZE	LATCHES NOTE 7	PIN SHAPE	DIM A	DIM B	DIM C	DIM D	DIM E	TERMINAL PLATING NOTE 12	STYLE
65823-397(LF)	2x5	LP	SQ	1.260/32.00	.400/10.16	.720/18.29	.675/17.15	.86/21.8	150u"/3.81u Sn	B
-398(LF)	2x10	66258-001	RND	1.760/44.70	.900/22.86	1.220/30.99	.105/2.67	1.36/34.5	30u"/.76u Au OVER 50u"/1.27u Ni	D
-399(LF)	2x5	ND	SQ	1.260/32.00	.400/10.16	.720/18.29	.105/2.67	.86/21.8	15u"/.38u Au OVER 50u"/1.27u Ni	A
-400(LF)		STD					.105/2.67			
-401(LF)		LP					.105/2.67			
-402(LF)		ND					.150/3.81			
-403(LF)		STD					.150/3.81			
-404(LF)		LP					.150/3.81			A
-405(LF)		ND					.105/2.67			B
-406(LF)		STD					.105/2.67			
-407(LF)		LP					.105/2.67			
-408(LF)		ND					.150/3.81			
-409(LF)		STD					.150/3.81			
-410(LF)	2x5	LP		1.260/32.00	.400/10.16	.720/18.29	.150/3.81	.86/21.8		B
-411(LF)	2x7	ND		1.460/37.08	.600/15.24	.920/23.37	.105/2.67	1.06/26.9		C
-412(LF)		STD					.105/2.67			
-413(LF)		LP					.105/2.67			
-414(LF)		ND					.150/3.81			
-415(LF)		STD					.150/3.81			
-416(LF)	2x7	LP		1.460/37.08	.600/15.24	.920/23.37	.150/3.81	1.06/26.9		C
-417(LF)	2x8	ND		1.560/39.62	.700/17.78	1.020/25.91	.105/2.67	1.16/29.4		D
-418(LF)		STD					.105/2.67			
-419(LF)		LP					.105/2.67			
-420(LF)		ND					.150/3.81			
-421(LF)		STD					.150/3.81			
-422(LF)	2x8	LP		1.560/39.62	.700/17.78	1.020/25.91	.150/3.81	1.16/29.4		
-423(LF)	2x10	ND		1.760/44.70	.900/22.86	1.220/30.99	.105/2.67	1.36/34.5		
-424(LF)		STD					.105/2.67			
-425(LF)		LP					.105/2.67			
-426(LF)		ND					.150/3.81			
-427(LF)		STD					.150/3.81			
-428(LF)	2x10	LP		1.760/44.70	.900/22.86	1.220/30.99	.150/3.81	1.36/34.5		
-429(LF)	2x13	ND		2.060/52.32	1.200/30.48	1.520/38.61	.105/2.67	1.66/42.1		
-430(LF)		STD					.105/2.67			
-431(LF)		LP					.105/2.67			
65823-432(LF)	2x13	ND	SQ	2.060/52.32	1.200/30.48	1.520/38.61	.150/3.81	1.66/42.1	15u"/.38u Au OVER 50u"/1.27u Ni	D

mat'l. code		tolerances unless otherwise specified		CUSTOMER COPY	 www.fciconnect.com
ltr	ecn no	dr	date	linear	
AF				.XX±.01/.X±.3	projection
				.XXX±.005/.XX±.13	
				.XXX±.0020/.XXX±.051	INCH/MM
				angles 0°±2'	
				dr J. SHREINER 1/16/90	product family QUICKIE size dwg no code - sheet 15 of 21
				enr M. SMYK 1/16/90	
				chr M. SMYK 1/16/90	
				appd M. SMYK 1/16/90	
	sheet index	revision sheet		scale 5:1	A
21					65823



	SIZE	LATCHES NOTE 7	PIN SHAPE	DIM A	DIM B	DIM C	DIM D	DIM E	TERMINAL PLATING NOTE 12	STYLE
65823-433(LF)	2x13	STD	SQ	2.060/52.32	1.200/30.48	1.520/38.61	.150/3.81	1.66/42.1	15u" / .38u Au OVER 50u" / 1.27u Ni	D
-434(LF)	2x13	LP		2.060/52.32	1.200/30.48	1.520/38.61	.150/3.81	1.66/42.1		
-435(LF)	2x17	ND		2.460/62.48	1.600/40.64	1.920/48.77	.105/2.67	2.06/52.3		
-436(LF)		STD					.105/2.67			
-437(LF)		LP					.105/2.67			
-438(LF)		ND					.150/3.81			
-439(LF)		STD					.150/3.81			
-440(LF)	2x17	LP		2.460/62.48	1.600/40.64	1.920/48.77	.150/3.81	2.06/52.3		
-441(LF)	2x20	ND		2.760/70.10	1.900/48.26	2.220/56.39	.105/2.67	2.36/59.9		
-442(LF)		STD					.105/2.67			
-443(LF)		LP					.105/2.67			
-444(LF)		ND					.150/3.81			
-445(LF)		STD					.150/3.81			
-446(LF)	2x20	LP		2.760/70.10	1.900/48.26	2.220/56.39	.150/3.81	2.36/59.9		
-447(LF)	2x25	ND		3.260/82.80	2.400/60.96	2.720/69.09	.105/2.67	2.86/72.6		
-448(LF)		STD					.105/2.67			
-449(LF)		LP					.105/2.67			
-450(LF)		ND					.150/3.81			
-451(LF)		STD					.150/3.81			
-452(LF)	2x25	LP		3.260/82.80	2.400/60.96	2.720/69.09	.150/3.81	2.86/72.6		
-453(LF)	2x30	ND		3.760/95.50	2.900/73.66	3.220/81.79	.105/2.67	3.36/85.3		
-454(LF)		STD					.105/2.67			
-455(LF)		LP					.105/2.67			
-456(LF)		ND					.150/3.81			
-457(LF)		STD					.150/3.81			
-458(LF)	2x30	LP	SQ	3.760/95.50	2.900/73.66	3.220/81.79	.150/3.81	3.36/85.3		
-459(LF)	2x12	ND	RND	1.960/49.80	1.100/27.94	1.420/36.07	.105/2.67	1.56/39.6		
-460(LF)		STD								
-461(LF)		LP							15u" / .38u Au OVER 50u" / 1.27u Ni	
-462(LF)		ND							30u" / .76u Au OVER 50u" / 1.27u Ni	
-463(LF)		STD							30u" / .76u Au OVER 50u" / 1.27u Ni	
-464(LF)		LP							30u" / .76u Au OVER 50u" / 1.27u Ni	
-465(LF)		ND							30u" / .76u GXT/GOLD FLASH	
-466(LF)		STD							30u" / .76u GXT/GOLD FLASH	
-467(LF)		LP	RND						30u" / .76u GXT/GOLD FLASH	
65823-468(LF)	2x12	ND	SQ	1.960/49.80	1.100/27.94	1.420/36.07	.105/2.67	1.56/39.6	150u" / 3.81u Sn	D

mat'l. code				tolerances unless otherwise specified		CUSTOMER COPY		FCI www.fciconnect.com		
ltr	ecn no	dr	date	linear	.XX±.01/.X±.3		projection ⊕	title HEADER, QUICKIE		
AF					.XXX±.005/.XX±.13			SEA, HORSE, RIGHT ANGLE		
					.XXX±.0020/.XXX±.051			product family QUICKIE		
				angles	0°±2'		INCH/MM ←→	code -		
				dr	J. SHREINER	1/16/90		scale 5:1	product size A	
				enr	M. SMYK	1/16/90			sheet 16 of 21	
				chr	M. SMYK	1/16/90				
				appd	M. SMYK	1/16/90				
sheet index		revision sheet								
21										

Tous droits strictement reserves. Reproduction ou communication a des tiers interalite sous quelque forme que ce soit sans autorisation ecrite du propriétaire. Propriete de c FCI. Droits de reproduction FCI.



All rights strictly reserved. Reproduction or issue to third parties in any form whatever is not permitted without written authority from the proprietor. Property of FCI. Copyright FCI.

	SIZE	LATCHES NOTE 7	PIN SHAPE	DIM A	DIM B	DIM C	DIM D	DIM E	TERMINAL PLATING NOTE 12	STYLE
65823-469(LF)	2x12	STD	SQ	1.960/49.80	1.100/27.94	1.420/36.07	.105/2.67	1.56/39.62	150u"/3.81u TIN	D
-470(LF)		LP	SQ				.105/2.67		150u"/3.81u TIN	
-471(LF)		ND	RND				.150/3.81		15u"/.38u Au OVER 50u"/1.27u Ni	
-472(LF)		STD							15u"/.38u Au OVER 50u"/1.27u Ni	
-473(LF)		LP							15u"/.38u Au OVER 50u"/1.27u Ni	
-474(LF)		ND							30u"/.76u Au OVER 50u"/1.27u Ni	
-475(LF)		STD							30u"/.76u Au OVER 50u"/1.27u Ni	
-476(LF)		LP							30u"/.76u Au OVER 50u"/1.27u Ni	
-477(LF)		ND							30u"/.76u GXT/GOLD FLASH	
-478(LF)		STD							30u"/.76u GXT/GOLD FLASH	
-479(LF)		LP	RND						30u"/.76u GXT/GOLD FLASH	
-480(LF)		ND	SQ						150u"/3.81u TIN	
-481(LF)		STD							150u"/3.81u TIN	
-482(LF)		LP					.150/3.81		150u"/3.81u TIN	
-483(LF)		ND					.105/2.67		15u"/.38u Au OVER 50u"/1.27u Ni	
-484(LF)		STD							15u"/.38u Au OVER 50u"/1.27u Ni	
-485(LF)		LP							15u"/.38u Au OVER 50u"/1.27u Ni	
-486(LF)		ND							30u"/.76u Au OVER 50u"/1.27u Ni	
-487(LF)		STD							30u"/.76u Au OVER 50u"/1.27u Ni	
-488(LF)		LP							30u"/.76u Au OVER 50u"/1.27u Ni	
-489(LF)		ND							15u"/.38u Au OVER 50u"/1.27u Ni	
-490(LF)		STD							15u"/.38u Au OVER 50u"/1.27u Ni	
-491(LF)		LP					.105/2.67		15u"/.38u Au OVER 50u"/1.27u Ni	
-492(LF)		ND					.675/17.15		15u"/.38u Au OVER 50u"/1.27u Ni	
-493(LF)		STD							15u"/.38u Au OVER 50u"/1.27u Ni	
-494(LF)		LP							15u"/.38u Au OVER 50u"/1.27u Ni	
-495(LF)		ND							30u"/.76u Au OVER 50u"/1.27u Ni	
-496(LF)		STD							30u"/.76u Au OVER 50u"/1.27u Ni	
-497(LF)		LP							30u"/.76u Au OVER 50u"/1.27u Ni	
-498(LF)		ND							30u"/.76u GXT/GOLD FLASH	
-499(LF)		STD							30u"/.76u GXT/GOLD FLASH	
-500(LF)		LP							30u"/.76u GXT/GOLD FLASH	
-501(LF)		ND							150u"/3.81u TIN	
-502(LF)		STD							150u"/3.81u TIN	
-503(LF)	2x12	LP	SQ	1.960/49.80	1.100/27.94	1.420/36.07	.675/17.15	1.56/39.62	150u"/3.81u TIN	
65823-504(LF)	2x15	ND	RND	2.260/57.40	1.400/35.56	1.720/43.69	.105/2.67	1.86/47.24	15u"/.38u Au OVER 50u"/1.27u Ni	D

mat'l. code				tolerances unless otherwise specified				CUSTOMER COPY		FCI www.fciconnect.com		
ltr	ecn no	dr	date	linear	.XX±.01/.X±.3			projection	title			
AF					.XXX±.005/.XX±.13				HEADER, QUICKIE			
					.XXX±.0020/.XXX±.051				SEA, HORSE, RIGHT ANGLE			
					angles	0°±2°			INCH/MM		product family QUICKIE	
					dr	J. SHREINER	1/16/90		scale		code	
				enr	M. SMYK	1/16/90	5:1		size			
				chr	M. SMYK	1/16/90	A		65823			
				appd	M. SMYK	1/16/90			sheet			
sheet index		revision sheet								17 of 21		
21												

Tous droits strictement reserves. Reproduction ou communication a des tiers interdite sous quelque forme que ce soit sans autorisation ecrite du propriétaire. Propriete de c FCI. Droits de reproduction FCI.



All rights strictly reserved. Reproduction or issue to third parties in any form whatever is not permitted without written authority from the proprietor. Property of FCI. Copyright FCI.

1 | 2

3

4

	SIZE	LATCHES NOTE 7	PIN SHAPE	DIM A	DIM B	DIM C	DIM D	DIM E	TERMINAL PLATING NOTE 12	STYLE
65823-505(LF)	2x15	STD	RND	2.260/57.40	1.400/35.56	1.720/43.69	.105/2.67	1.86/47.2	15u"/.38u Au OVER 50u"/1.27u Ni	D
-506(LF)		LP							15u"/.38u Au OVER 50u"/1.27u Ni	
-507(LF)		ND							30u"/.76u Au OVER 50u"/1.27u Ni	
-508(LF)		STD							30u"/.76u Au OVER 50u"/1.27u Ni	
-509(LF)		LP							30u"/.76u Au OVER 50u"/1.27u Ni	
-510(LF)		ND							30u"/.76u GXT GOLD FLASH	
-511(LF)		STD							30u"/.76u GXT GOLD FLASH	
-512(LF)		LP	RND						30u"/.76u GXT GOLD FLASH	
-513(LF)		ND	SQ						150u"/3.81u TIN	
-514(LF)		STD	SQ						150u"/3.81u TIN	
-515(LF)		LP	SQ				.105/2.67		150u"/3.81u TIN	
-516(LF)		ND	RND				.150/3.81		15u"/.38u Au OVER 50u"/1.27u Ni	
-517(LF)		STD							15u"/.38u Au OVER 50u"/1.27u Ni	
-518(LF)		LP							15u"/.38u Au OVER 50u"/1.27u Ni	
-519(LF)		ND							30u"/.76u Au OVER 50u"/1.27u Ni	
-520(LF)		STD							30u"/.76u Au OVER 50u"/1.27u Ni	
-521(LF)		LP							30u"/.76u Au OVER 50u"/1.27u Ni	
-522(LF)		ND							30u"/.76u GXT GOLD FLASH	
-523(LF)		STD							30u"/.76u GXT GOLD FLASH	
-524(LF)		LP	RND						30u"/.76u GXT GOLD FLASH	
-525(LF)		ND	SQ						150u"/3.81u TIN	
-526(LF)		STD							150u"/3.81u TIN	
-527(LF)		LP					.150/3.81		150u"/3.81u TIN	
-528(LF)		ND					.105/2.67		15u"/.38u Au OVER 50u"/1.27u Ni	
-529(LF)		STD							15u"/.38u Au OVER 50u"/1.27u Ni	
-530(LF)		LP							15u"/.38u Au OVER 50u"/1.27u Ni	
-531(LF)		ND							30u"/.76u Au OVER 50u"/1.27u Ni	
-532(LF)		STD							30u"/.76u Au OVER 50u"/1.27u Ni	
-533(LF)		LP					.105/2.67		30u"/.76u Au OVER 50u"/1.27u Ni	
-534(LF)		ND					.150/3.81		15u"/.38u Au OVER 50u"/1.27u Ni	
-535(LF)		STD					.150/3.81		15u"/.38u Au OVER 50u"/1.27u Ni	
-536(LF)		LP					.150/3.81		15u"/.38u Au OVER 50u"/1.27u Ni	
-537(LF)		ND					.675/17.15		15u"/.38u Au OVER 50u"/1.27u Ni	
-538(LF)		STD							15u"/.38u Au OVER 50u"/1.27u Ni	
-539(LF)		LP							15u"/.38u Au OVER 50u"/1.27u Ni	
65823-540(LF)	2x15	ND	SQ	2.260/57.40	1.400/35.56	1.720/43.69	.675/17.15	1.86/47.2	30u"/.76u Au OVER 50u"/1.27u Ni	D

mat'l. code				tolerances unless otherwise specified		CUSTOMER COPY	 www.fciconnect.com
ltr	ecn no	dr	date	linear	.XX±.01/.X±.3	projection	
AF					.XXX±.005/.XX±.13	 INCH/MM	title
				angles	.XXX±.0020/.XXX±.051		0°±2'
				dr	J. SHREINER 1/16/90	scale 5:1	product family
				enr	M. SMYK 1/16/90		QUICKIE
				chr	M. SMYK 1/16/90		code
				appd	M. SMYK 1/16/90		-
sheet index	revision sheet						size
21							dwg no
							65823
							sheet
							18 of 21

1

2

PDM: Rev:AF

3

STATUS Released

Printed: Apr 12, 2011

4



	SIZE	LATCHES NOTE 7	PIN SHAPE	DIM A	DIM B	DIM C	DIM D	DIM E	TERMINAL PLATING NOTE 12	STYLE
65823-541(LF)	2x15	STD	SQ	2.260/57.40	1.400/35.56	1.720/48.69	.675/17.15	1.86/47.2	30u" / .76u Au OVER 50u" / 1.27u Ni	D
-542(LF)		LP							30u" / .76u Au OVER 50u" / 1.27u Ni	
-543(LF)		ND							30u" / .76u GXT/GOLD FLASH	
-544(LF)		STD							30u" / .76u GXT/GOLD FLASH	
-545(LF)		LP							30u" / .76u GXT/GOLD FLASH	
-546(LF)		ND							150u" / 3.81u TIN	
-547(LF)		STD							150u" / 3.81u TIN	
-548(LF)	2x15	LP	SQ	2.260/57.40	1.400/35.56	1.720/43.69	.675/17.15	1.86/47.2	150u" / 3.81u TIN	
-549(LF)	2x22	ND	RND	2.960/75.20	2.100/53.34	2.420/61.47	.105/2.67	2.56/65.0	15u" / .38u Au OVER 50u" / 1.27u Ni	
-550(LF)		STD							15u" / .38u Au OVER 50u" / 1.27u Ni	
-551(LF)		LP							15u" / .38u Au OVER 50u" / 1.27u Ni	
-552(LF)		ND							30u" / .76u Au OVER 50u" / 1.27u Ni	
-553(LF)		STD							30u" / .76u Au OVER 50u" / 1.27u Ni	
-554(LF)		LP							30u" / .76u Au OVER 50u" / 1.27u Ni	
-555(LF)		ND							30u" / .76u GXT/GOLD FLASH	
-556(LF)		STD							30u" / .76u GXT/GOLD FLASH	
-557(LF)		LP	RND						30u" / .76u GXT/GOLD FLASH	
-558(LF)		ND	SQ						150u" / 3.81u TIN	
-559(LF)		STD	SQ						150u" / 3.81u TIN	
-560(LF)		LP	SQ				.105/2.67		150u" / 3.81u TIN	
-561(LF)		ND	RND				.150/3.81		15u" / .38u Au OVER 50u" / 1.27u Ni	
-562(LF)		STD							15u" / .38u Au OVER 50u" / 1.27u Ni	
-563(LF)		LP							15u" / .38u Au OVER 50u" / 1.27u Ni	
-564(LF)		ND							30u" / .76u Au OVER 50u" / 1.27u Ni	
-565(LF)		STD							30u" / .76u Au OVER 50u" / 1.27u Ni	
-566(LF)		LP							30u" / .76u Au OVER 50u" / 1.27u Ni	
-567(LF)		ND							30u" / .76u GXT/GOLD FLASH	
-568(LF)		STD							30u" / .76u GXT/GOLD FLASH	
-569(LF)		LP	RND						30u" / .76u GXT/GOLD FLASH	
-570(LF)		ND	SQ						150u" / 3.81u TIN	
-571(LF)		STD							150u" / 3.81u TIN	
-572(LF)		LP					.150/3.81		150u" / 3.81u TIN	
-573(LF)		ND					.105/2.67		15u" / .38u Au OVER 50u" / 1.27u Ni	
-574(LF)		STD							15u" / .38u Au OVER 50u" / 1.27u Ni	
-575(LF)		LP							15u" / .38u Au OVER 50u" / 1.27u Ni	
65823-576(LF)	2x22	ND	SQ	2.960/75.20	2.100/53.34	2.420/61.47	.105/2.67	2.56/65.0	30u" / .76u Au OVER 50u" / 1.27u Ni	D

mat'l. code				tolerances unless otherwise specified		CUSTOMER COPY	 www.fciconnect.com
ltr	ecn no	dr	date	linear	.XX±.01/.X±.3	projection	
AF					.XXX±.005/.XX±.13	 INCH/MM	title
				angles	.XXX±.0020/.XXX±.051		SEA, HORSE, RIGHT ANGLE
				dr	J. SHREINER 1/16/90	scale	product family
				enr	M. SMYK 1/16/90		QUICKIE
				chr	M. SMYK 1/16/90		code
				appd	M. SMYK 1/16/90		sheet
	sheet index	revision sheet				5:1	size A 65823 19 of 21

Tous droits strictement reserves. Reproduction ou communication a des tiers interdite sous quelque forme que ce soit sans autorisation ecrite du propriétaire. Propriete de c FCI. Droits de reproduction FCI.

All rights strictly reserved. Reproduction or issue to third parties in any form whatever is not permitted without written authority from the proprietor. Property of FCI. Copyright FCI.



	SIZE	LATCHES NOTE 7	PIN SHAPE	DIM A	DIM B	DIM C	DIM D	DIM F	TERMINAL PLATING NOTE 12	STYLE
65823-609 (LF)	2X5	-	RND	32.00	10.16	18.29	2.67	7.24	50u"/1.27 u Au OVER 50u"/1.27u Ni	A
-610 (LF)	2X5	-	↑	32.00	10.16	18.29	↑	↑	↑	B
-611 (LF)	2X7	-	↑	37.00	15.24	23.37	↑	↑	↑	C
-612 (LF)	2X8	-	↑	39.60	17.18	25.91	↑	↑	↑	D
-613 (LF)	2X10	-	↑	44.70	22.86	30.99	↑	↑	↑	↑
-614 (LF)	2X13	-	↑	52.30	30.48	38.61	↑	↑	↑	↑
-615 (LF)	2X17	-	↑	62.40	40.64	48.77	↑	↑	↑	↑
-616 (LF)	2X20	-	↑	70.10	48.26	56.39	↑	↑	↑	↓
-617 (LF)	2X25	-	↑	82.80	60.96	69.09	↑	↑	↑	D
-618 (LF)	2X30	-	↑	95.50	76.66	81.79	↑	↑	↑	D
-619 (LF)	2X5	STD	↑	32.00	10.16	18.29	↑	↑	↑	A
-620 (LF)	2X5	↑	↑	32.00	10.16	18.29	↑	↑	↑	B
-621 (LF)	2X7	↑	↑	37.00	15.24	23.37	↑	↑	↑	C
-622 (LF)	2X8	↑	↑	39.60	17.18	25.91	↑	↑	↑	D
-623 (LF)	2X10	↑	↑	44.70	22.86	30.99	↑	↑	↑	↑
-624 (LF)	2X13	↑	↑	52.30	30.48	38.61	↑	↑	↑	↑
-625 (LF)	2X17	↑	↑	62.40	40.64	48.77	↑	↑	↑	↑
-626 (LF)	2X20	↑	↑	70.10	48.26	56.39	↑	↑	↑	↑
-627 (LF)	2X25	↑	↑	82.80	60.96	69.09	↑	↑	↑	↑
-628 (LF)	2X30	STD	RND	95.50	76.66	81.79	2.67	7.24	50u"/1.27 u Au OVER 50u"/1.27u Ni	D

mat'l. code				tolerances unless otherwise specified			CUSTOMER COPY		FCI www.fciconnect.com	
ltr	ecn no	dr	date	linear	.XX±.01/.X±.3		projection ⊕ ↗	title HEADER, QUICKIE SEA, HORSE, RIGHT ANGLE		
AF					.XXX±.005/.XX±.13					
					.XXX±.0020/.XX±.051					
				angles	0°±2°		INCH/MM ↔	product family QUICKIE		code
				dr	J. SHREINER	1/16/90		size/ dwg no		-
				enr	M. SMYK	1/16/90		A 65823		sheet
				chr	M. SMYK	1/16/90	scale 5:1		21 of 21	
				appd	M. SMYK	1/16/90				
sheet index		revision sheet								
21										

X-ON Electronics

Largest Supplier of Electrical and Electronic Components

Click to view similar products for [Headers & Wire Housings](#) category:

Click to view products by [Amphenol](#) manufacturer:

Other Similar products are found below :

[95000-104TRLF](#) [10135584-644402LF](#) [DF62W-EP2022PCA](#) [95000-106TRLF](#) [DF62W-2022SCA](#) [DF62W-EP2022PC](#) [2203348](#) [DF62W-2022SC](#) [1084018](#) [1029039](#) [1084017](#) [802-10-012-10-002000](#) [1112640](#) [1112639](#) [891-007-9SS-BST1T](#) [000-34000](#) [0008550134](#) [0009482033](#) [0009507031](#) [57102-F02-18ULF](#) [57102-S06-03LF](#) [57202-S52-04LF](#) [PCN6-15S-2.5E](#) [0039019024](#) [58102-G61-06LF](#) [582553-1](#) [0009485154](#) [0009508121](#) [0022285053](#) [0050291907](#) [018731A](#) [LY20-4P-DT1-P1E-BR](#) [02.125.8002.8](#) [60101931](#) [60598-1 \(Cut Strip\)](#) [M1625-3R/100](#) [61062-3](#) [61082-181009](#) [CSU011177004](#) [636-1427](#) [638009-1](#) [641938-9](#) [641991-4](#) [644168-1](#) [644827-2](#) [647662-1](#) [65039-019ELF](#) [65692-001LF](#) [65781-018](#) [65781-047](#)