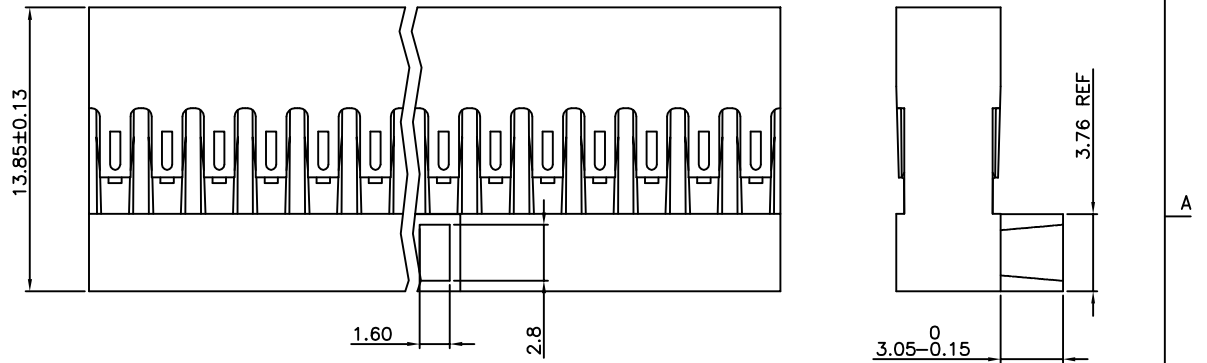


PRODUCT NUMBER  
65846-OXX(E)LF

PIN STYLE  
SEE SHEET 2

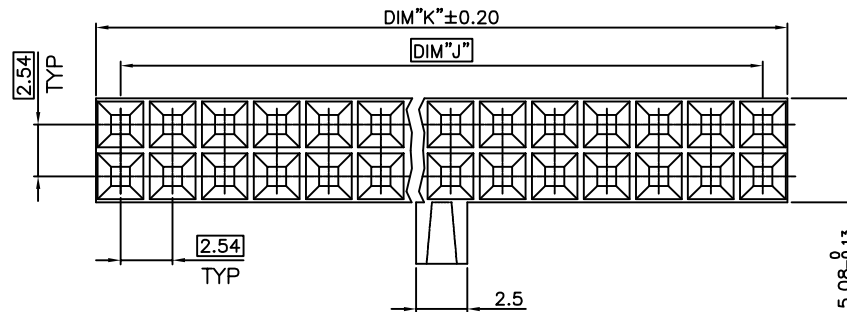
INDICATES THE PRODUCT IS RoHS  
COMPLIANT, SEE NOTE 6

65846-YXXLF OR 65846-YXXELF ARE  
EXACTLY THE SAME PRODUCTS.  
EXTENSION "E" JUST FOR OLD EUROPEAN  
DESIGN AND MANUFACTURING SITE



NOTES:

1. MOLDING MATERIAL : MODIFIED POLYPHELYNENE  
COLOR BLACK, UL 94 V0
2. LATCH MUST WITHSTAND 18N MIN PULL OUT FORCE
3. STANDARD PACKAGING IN POLYBAGS
4. TERMINALS MUST BE CRIMPED PROPERLY FOR  
SATISFACTORY LATCHING :  
- FOR CRIMPING INSTRUCTIONS, SEE TA-75 AND TA-295  
- FOR TERMINAL APPLICATION SEE TA-531.  
PRODUCT SPECIFICATION: BUS-12-067.
5. THIS HOUSING IS INTENDED FOR USE WITH  
MINI PV TERMINAL WITH 22-36 GAUGE WIRE
6. RoHs COMPLIANT PRODUCT SPECIFICATIONS :  
- MEETS PACKAGING SPECS AS PER GS-14-920  
- PRODUCT MEETS EUROPEAN UNION DIRECTIVES  
AND OTHER COUNTRY REGULATIONS AS  
DESCRIBED IN GS-22-008.  
- THE PRODUCT IS NOT INTENDED TO BE EXPOSED  
TO A MANUFACTURING SOLDER PROCESS.



mat'l. code SEE NOTES		surface ISO 1302	tolerance ISO 406 ISO 1101	projection	product family BERCONN
ltr	ecn no	dr	date	tolerances unless otherwise specified	title
Y	F12-0064	LMU	12.06.08	linear	MINI LATCH DR
AA	B-14321	LMU	13.03.21	linear	POLARIZED HSG 2.54mm
				linear	dwg no
				linear	sheet 1 of 2
				linear	size
				linear	A3
				linear	type
				linear	CUSTOMER Drawing
sheet	revision	AA	Y		
index	sheet	1	2		

PIN STYLE	No. OF POS.	DIM J	DIM K
01	2x12	27.94	30.33
02	2x15	35.56	37.95
03	2x19	45.72	48.11
04	2x22	53.34	55.73
05	2x27	66.04	68.43
06	2x10	22.86	25.25
07	2x07	15.24	17.63
08	2x09	20.32	22.71
09	2x32	78.74	81.13
10	2x05	10.16	12.55
11	2x08	17.78	20.17
12	2x25	60.96	63.35
13	2x30	73.66	76.05
14	2x02	2.54	4.93
15	2x03	5.08	7.47
16	2x04	7.62	10.01
17	2x06	12.70	15.09
18	2x11	25.40	27.79
19	2x13	30.48	32.87
20	2x14	33.02	35.41
21	2x16	38.10	40.49
22	2x17	40.64	43.03
23	2x18	43.18	45.57
24	2x20	48.26	50.65
25	2x21	50.80	53.19
26	2x23	55.88	58.27
27	2x24	58.42	60.81
28	2x26	63.50	65.89
29	2x28	68.58	70.97
30	2x29	71.12	73.51
31	2x31	76.20	78.59
32	2x33	81.28	83.67
33	2x34	83.82	86.21
34	2x35	86.36	88.75
35	2x36	88.90	91.29



FCIconnect.com

Copyright FCI

mat'l. code		surface		tolerance		projection		product family	
		ISO 1302 <input checked="" type="checkbox"/>		ISO 406 <input type="checkbox"/> ISO 1101 <input type="checkbox"/>				BERCONN	
ltr		ecn no		date		tolerances unless otherwise specified		title	
Y		F12-0064		LMU 12.06.08		linear		mm	
						.X ±0.3		scale 5:1	
						.XX ±0.13		sheet 2 of	
						.XXX ±0.05		size	
		dr		L.MULIN		11.01.10		65846	
		enr		L.MULIN		11.01.10		A3	
		chr						type	
		appd		L.MU		11.01.10		CUSTOMER Drawing	
sheet index		revision sheet							



## X-ON Electronics

Largest Supplier of Electrical and Electronic Components

*Click to view similar products for [Headers & Wire Housings](#) category:*

*Click to view products by [Amphenol](#) manufacturer:*

Other Similar products are found below :

[892-18-020-10-001101](#) [58102-G61-06LF](#) [582553-1](#) [0009485154](#) [009176003701906](#) [0050291907](#) [LY20-4P-DT1-P1E-BR](#) [02.125.8002.8](#)  
[609-3404](#) [61062-3](#) [622-0430](#) [622-3653LF](#) [63453-116](#) [636-1030](#) [636-1427](#) [636-3427](#) [636-4007](#) [641938-9](#) [641991-4](#) [644827-2](#) [65817-010LF](#)  
[65817-015LF](#) [65863-015LF](#) [66207-023LF](#) [67095-007LF](#) [67601157](#) [68648-049](#) [70.362.1628.0](#) [70-4210](#) [70-4226B](#) [70-4853B](#) [707-5020](#) [707-](#)  
[5028](#) [71.350.2428.0](#) [71918-208LF](#) [71961-016LF](#) [733-134](#) [733-162](#) [754199-000](#) [760-3052](#) [787-8014-00](#) [79531-3000](#) [FCN-360C032-B](#) [FCN-](#)  
[367T-T012/H](#) [FCN-723D010/2](#) [80.063.4001.1](#) [800-90-001-10-001000](#) [800-90-010-10-002000](#) [801-43-002-10-013000](#) [801-43-006-10-002000](#)