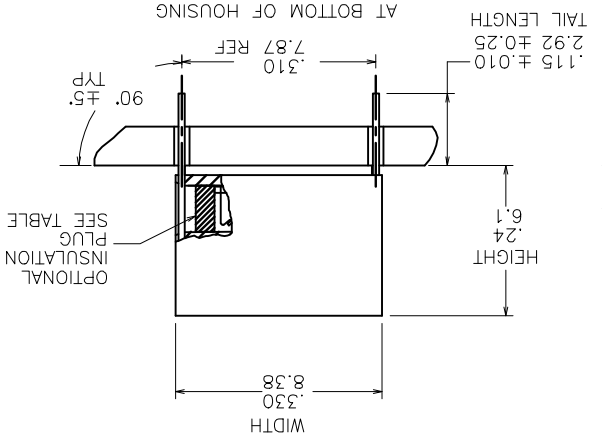
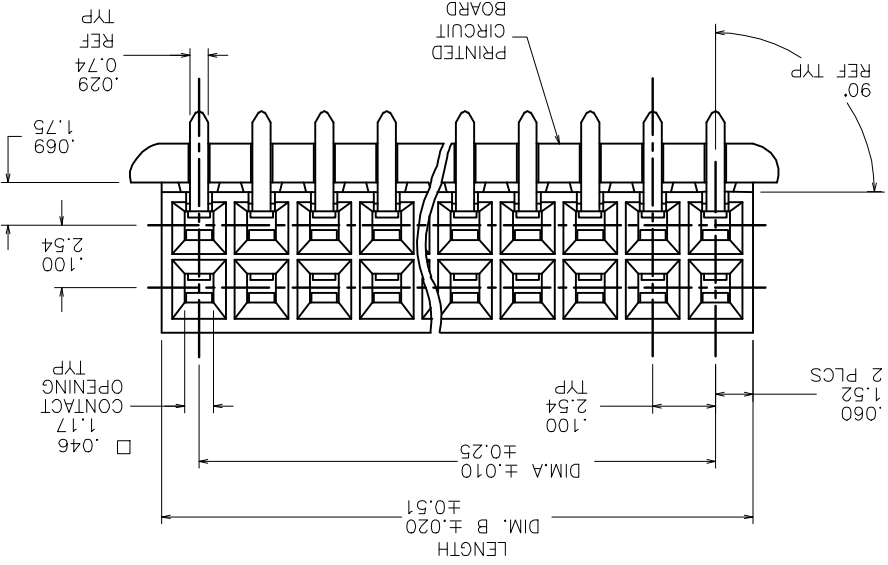
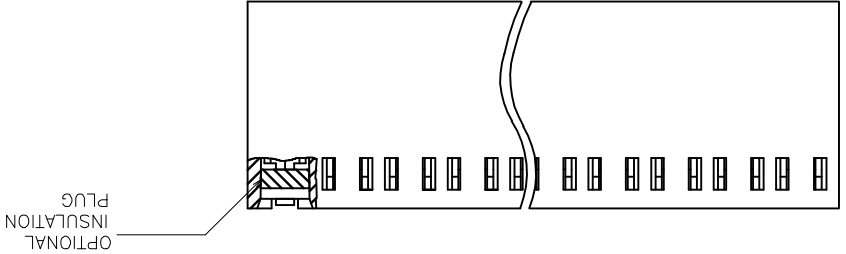


PRODUCT NO. SEE TABLE



mat'l code	
surface	ISO 1302
tolerance	ISO 406 ISO 101
projection	ISO 1011
product family	CARD CONN.
title	CARD CONN.
INCH/MM	0.010/0.254
linear	0.001/0.025
angles	0.001/0.025
0.2	0.002/0.050
scale	4:1
dwg no	66925
type	Product Customer Drawing
sheet	1 of 7
size	A3

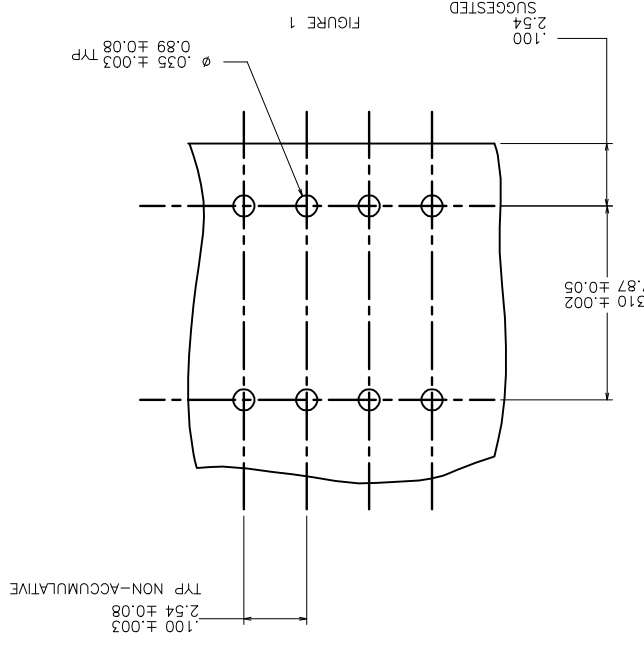
Sheet	Revision	Sheet	Index
S M09-0093	MHT 6/22/09	S S S S S S S S	
R M08-0232	MHT 8/14/08	ctr	
P M07-0137	MHT 2/26/07	engr	
N M05-0245	MHT 11/23/05	dr	
M M05-0243	AZ 10/25/00		
L V70994	JM 10/19/97		
K V70746	EPK 4/24/97		
itr	ecn no	dp	date

J. SHREINER	3/23/90	3/23/90	
M. HAHN	3/23/90	3/23/90	
M. HAHN	3/23/90	3/23/90	
M. HAHN	3/23/90	3/23/90	
M. HAHN	3/23/90	3/23/90	
M. HAHN	3/23/90	3/23/90	
M. HAHN	3/23/90	3/23/90	
M. HAHN	3/23/90	3/23/90	

Copyright FCJ
FCJconnect.com



PRODUCT NO.
SEE TABLE



NOTES:

1. HOUSING MATERIAL.
FILLED HIGH TEMPERATURE NYLON.
PER UL 94V-0
COLOR: BLACK
2. TERMINAL MATERIAL.
BODY: BRASS .010/0.25 THICK.
SPRING: BE-CU; HEAT TREATED.
BODY PLATING:
30 MICRONS/0.76 MICRON GOLD OR GXT OVER 50 MICRONS
NICKEL/1.27 MICRON IN CONTACT AREA.
SOLDER TAIL: 100u" PURE TIN (NOTE 9) OVER .050u" NICKEL.
SPRING PLATING: GOLD FLASH
3. MARK "FCI" PART NUMBER AND DATE CODE
LEGIBLE ON TUBE LABEL.
4. APPLICATION INFORMATION.
A. RECOMMENDED MOUNTING HOLE PATTERN IS SHOWN IN FIG. "1".
B. ALL MATING PINS TO BE .025/0.64 SQUARE ON TRUE CENTER OF GIVEN TERMINAL SPACINGS WITHIN .015/0.38 DIA.
C. SUGGESTED MATING PIN LENGTH .350±.020/.89±.051.
5. SOLDER TAIL TO HAVE GOLD FLASH OVER .050u" NICKEL.
6. ADD "L" SUFFIX AT THE END OF PART NUMBER FOR LEAD FREE OPTION.
7. THESE PRODUCT MEETS EUROPEAN UNION DIRECTIVES AND OTHER COUNTRY REGULATIONS AS DESCRIBED IN GS-22-008
8. THIS PART WILL WITHSTAND EXPOSURE TO 260°C PEAK TEMPERATURE FOR 20 SECONDS IN A WAVE SOLDER, INFRA-RED OR VAPOR PHASE SOLDER PROCESSES.
9. THIS PRODUCT HAS 100% TIN PLATING IN THE INTERFACE AND HAS NOT BEEN TESTED FOR WISKER GROWTH IN ALL INTERCONNECT REQUIREMENTS.
10. PLATING OPTIONS:
MAY BE EITHER GOLD OR GXT PLATED AT MANUFACTURER'S OPTION.

mat'l code		ISO 1902		surface		tolerance		ISO 406		ISO 101		ISO 101	
lit		ecn no		dp		date		iterases unless otherwise specified		inches		.0010/.0013	
S		angles		linear		0 ± .2		XXX 1.000/.0013		XXX 1.000/.0013		scale 4:1	
title		product family		CARD CONN.		CARD CONN.		projection		drawing no		66925	
Sheet		Revision		Sheet		Index		Type		Product Customer Drawing		Drawing no	
3		1		4		5		A3		Sheet 2 of 7		Size	

PRODUCT NUMBER	NO. OF POS.	DIM. A	DIM. B	INSULATION PLUG	LEAD FREE OPTION
66925-001	2X1-	.00/.0	-.129/3.05	-	UNASSIGNED
-002	2X2-	.10/.5	-.220/5.59	-	UNASSIGNED
-003	2X3-	.20/5.0	-.320/8.13	-	UNASSIGNED
-004	2X4-	.30/7.6	-.420/10.67	-	OBSOLETE
-005	2X5-	.40/10.1	.520/13.21	-	OBSOLETE
-006	2X6-	.50/12.7	.620/15.75	-	
-007	2X7-	.60/15.2	.720/18.27	-	
-008	2X8-	.70/17.7	.820/20.83	-	
-009	2X9-	.80/20.3	.920/23.37	-	
-010	2X10-	.90/22.8	1.020/25.91	-	
-011	2X11	1.00/25.4	1.120/28.45	-	
-012	2X12	1.10/27.9	1.220/30.99	-	
-013	2X13	1.20/30.4	1.320/33.53	-	
-014	2X14	1.30/33.0	1.420/36.07	-	
-015	2X15	1.40/35.5	1.520/38.61	-	
-016	2X16	1.50/38.1	1.620/41.15	-	
-017	2X17	1.60/40.6	1.720/43.69	-	
-018	2X18	1.70/43.1	1.820/46.23	-	
-019	2X19	1.80/45.7	1.920/48.77	-	
-020	2X20	1.90/48.2	2.020/51.31	-	
-021	2X21	2.00/50.8	2.120/53.85	-	
-022	2X22	2.10/53.3	2.220/56.39	-	
-023	2X23	2.20/55.8	2.320/58.93	-	
-024	2X24	2.30/58.4	2.420/61.47	-	
-025	2X25	2.40/60.9	2.520/64.01	-	
-026	2X26	2.50/63.5	2.620/66.55	-	
-027	2X27	2.60/66.0	2.720/69.09	-	
-028	2X28	2.70/68.5	2.820/71.63	-	
-029	2X29	2.80/71.1	2.920/74.17	-	
-030	2X30	2.90/73.6	3.020/76.71	-	
-031	2X31	3.00/76.2	3.120/79.25	-	
-032	2X32	3.10/78.7	3.220/81.79	-	
-033	2X33	3.20/81.2	3.320/84.33	-	
-034	2X34	3.30/83.8	3.420/86.87	-	
-035	2X35	3.40/86.3	3.520/89.41	-	
-036	2X36	3.50/88.9	3.620/91.95	-	
-037	2X37	3.60/91.4	3.720/94.49	-	
-038	2X38	3.70/93.9	3.820/97.03	-	
-039	2X39	3.80/96.5	3.920/99.57	-	
66925-040	2X40	3.90/99.0	4.020/102.11	-	

NOTE 6.7

mat'l. code	ISO 1001	ISO 406	ISO 101	surface tolerance unless otherwise specified	projection	product family	CARD CONN.	title	CARD CONN.
ISO 1001	ISO 406	ISO 101	surface tolerance unless otherwise specified	projection	product family	CARD CONN.	title	CARD CONN.	
	linear	XXX.X/XXX.X	XXX.X/XXX.X	angles	linear	XXX.X/XXX.X	XXX.X/XXX.X	inches/mm	inches/mm
	XXX.X/XXX.X	XXX.X/XXX.X	XXX.X/XXX.X	angles	linear	XXX.X/XXX.X	XXX.X/XXX.X	inches/mm	inches/mm
	XXX.X/XXX.X	XXX.X/XXX.X	XXX.X/XXX.X	angles	linear	XXX.X/XXX.X	XXX.X/XXX.X	inches/mm	inches/mm
	XXX.X/XXX.X	XXX.X/XXX.X	XXX.X/XXX.X	angles	linear	XXX.X/XXX.X	XXX.X/XXX.X	inches/mm	inches/mm
	XXX.X/XXX.X	XXX.X/XXX.X	XXX.X/XXX.X	angles	linear	XXX.X/XXX.X	XXX.X/XXX.X	inches/mm	inches/mm
	XXX.X/XXX.X	XXX.X/XXX.X	XXX.X/XXX.X	angles	linear	XXX.X/XXX.X	XXX.X/XXX.X	inches/mm	inches/mm
	XXX.X/XXX.X	XXX.X/XXX.X	XXX.X/XXX.X	angles	linear	XXX.X/XXX.X	XXX.X/XXX.X	inches/mm	inches/mm
	XXX.X/XXX.X	XXX.X/XXX.X	XXX.X/XXX.X	angles	linear	XXX.X/XXX.X	XXX.X/XXX.X	inches/mm	inches/mm
	XXX.X/XXX.X	XXX.X/XXX.X	XXX.X/XXX.X	angles	linear	XXX.X/XXX.X	XXX.X/XXX.X	inches/mm	inches/mm
	XXX.X/XXX.X	XXX.X/XXX.X	XXX.X/XXX.X	angles	linear	XXX.X/XXX.X	XXX.X/XXX.X	inches/mm	inches/mm

6 5 4 3 2 1 0

A B C D

6 5 4 3 2 1 0

Copyright PD
FCI
Falcone.com



mat'l code		ISO 1502	surface	tolerance	ISO 406 ISO 406 ISO 1001	projection	product family	CARD CONN.	title	CARD CONN.					
lfr	ecn no	dp	date	tolerances unless otherwise specified											
S	angles	linear	XXXX.005/XXXX.013	XXXX.010/XXXX.013	INCH/MM	scale	4:1								
	dp	J. SHREINER	3/23/90	dp	M. HAHN	3/23/90	engr	M. HAHN	3/23/90	ctf	M. HAHN	3/23/90	appd	M. HAHN	3/23/90
Sheet	revision	Sheet													
Index	Sheet	Index													

NO. OF POS.	DIM. A	DIM. B	INSULATION PLUG	LEAD FREE OPTION	PRODUCT NUMBER
2X41	4.00/101.6	4.120/104.65	NO	NO	66925-041
2X42	4.10/104.1	4.220/107.19			-042
2X43	4.20/106.6	4.320/109.73			-043
2X44	4.30/109.2	4.420/112.27			-044
2X45	4.40/111.7	4.520/114.81			-045
2X46	4.50/114.3	4.620/117.35			-046
2X47	4.60/116.8	4.720/119.89			-047
2X48	4.70/119.3	4.820/122.43			-048
2X49	4.80/121.9	4.920/124.97			-049
2X50	4.90/124.4	5.020/127.51			-050
2X51	5.00/127.0	5.120/130.05			-051
2X52	5.10/129.5	5.220/132.59			-052
2X53	5.20/132.0	5.320/135.15			-053
2X54	5.30/134.6	5.420/137.67			-054
2X55	5.40/137.1	5.520/140.21			-055
2X56	5.50/139.7	5.620/142.76			-056
2X57	5.60/142.2	5.720/145.29			-057
2X58	5.70/144.7	5.820/147.83			-058
2X59	5.80/147.3	5.920/150.37			-059
2X60	5.90/149.8	6.020/152.91			-060
2X61	6.00/152.4	6.120/155.45			-061
2X62	6.10/154.9	6.220/157.99			-062
2X63	6.20/157.4	6.320/160.53			-063
2X64	6.30/160.0	6.420/163.07			-064
2X65	6.40/162.5	6.520/165.61			66925-065
					066 THRU
					109

NOTE 6,7
 ↓
 OBSOLETE

6 5 4 3 2 1 0

6 5 4 3 2 1 0

mat'l code		surface		ISO 1502		tolerance		ISO 406		ISO 1001		projection		product family		CARD CONN.		title		CARD CONN.			
litr		ecn no		date		tolerances unless otherwise specified		linear		XXX4.006/XXX4.013		XXX4.006/XXX4.013		INCH/MM		scale		4:1		FCI			
dp		engr		cltr		appt		M. HAHN		3/23/90		M. HAHN		3/23/90		J. SHREINER		3/23/90		66925		A3	
sheet		revision		sheet		index		sheet		revision		sheet		index		sheet		revision		sheet		index	

PRODUCT NUMBER	POS.	DIM. A	DIM. B	INSULATION	LEAD FREE	OPTION
66925-501	2X1	.00/.0	.129/3.05	---	---	---
-502	2X2	.10/2.5	.229/5.59	---	---	---
-503	2X3	.20/5.0	.329/8.13	---	---	---
-504	2X4	.30/7.5	.429/10.67	---	---	---
-505	2X5	.40/10.1	.529/13.21	---	---	---
-506	2X6	.50/12.7	.629/15.75	---	---	---
-507	2X7	.60/15.2	.729/18.27	---	---	---
-508	2X8	.70/17.7	.829/20.83	---	---	---
-509	2X9	.80/20.3	.929/23.37	---	---	---
-510	2X10	.90/22.8	1.029/25.91	---	---	---
-511	2X11	1.00/25.4	1.129/28.45	---	---	---
-512	2X12	1.10/27.9	1.229/30.99	---	---	---
-513	2X13	1.20/30.4	1.329/33.53	---	---	---
-514	2X14	1.30/33.0	1.429/36.07	---	---	---
-515	2X15	1.40/35.5	1.529/38.61	---	---	---
-516	2X16	1.50/38.1	1.629/41.15	---	---	---
-517	2X17	1.60/40.6	1.729/43.69	---	---	---
-518	2X18	1.70/43.1	1.829/46.23	---	---	---
-519	2X19	1.80/45.7	1.929/48.77	---	---	---
-520	2X20	1.90/48.2	2.029/51.31	---	---	---
-521	2X21	2.00/50.8	2.129/53.85	---	---	---
-522	2X22	2.10/53.3	2.229/56.39	---	---	---
-523	2X23	2.20/55.8	2.329/58.93	---	---	---
-524	2X24	2.30/58.4	2.429/61.47	---	---	---
-525	2X25	2.40/60.9	2.529/64.01	---	---	---
-526	2X26	2.50/63.5	2.629/66.55	---	---	---
-527	2X27	2.60/66.0	2.729/69.09	---	---	---
-528	2X28	2.70/68.5	2.829/71.63	---	---	---
-529	2X29	2.80/71.1	2.929/74.17	---	---	---
-530	2X30	2.90/73.6	3.029/76.71	---	---	---
-531	2X31	3.00/76.2	3.129/79.25	---	---	---
-532	2X32	3.10/78.7	3.229/81.79	---	---	---
-533	2X33	3.20/81.2	3.329/84.33	---	---	---
-534	2X34	3.30/83.8	3.429/86.87	---	---	---
-535	2X35	3.40/86.3	3.529/89.41	---	---	---
-536	2X36	3.50/88.9	3.629/91.95	---	---	---
-537	2X37	3.60/91.4	3.729/94.49	---	---	---
-538	2X38	3.70/93.9	3.829/97.03	---	---	---
-539	2X39	3.80/96.5	3.929/99.57	---	---	---
66925-540	2X40	3.90/99.0	4.029/102.11	---	---	---

UNASSIGNED
UNASSIGNED
OBSOLETE
OBSOLETE

NOTE 6,7

NOTE 6,7

Form A3

Copyright PD

FCI
FCImotion.com

mat'l code		ISO 1302	surface	ISO 406 ISO 496 ISO 1001	projection	product family	CARD CONN.	title	CARD CONN.
litr	ecn no	dp	date	tolerances unless otherwise specified					
S		angles	linear	XXX.X/XXX.X XXX.X/XXX.X	INCH/MM	HORIZ. CARD CONN. D/R .100/2.54 CL			
		0 ±.2		XXX.X/XXX.X XXX.X/XXX.X	scale	4:1			
		dp	J. SHREINER	3/23/90	dwg no	66925			
		engr	M. HAHN	3/23/90	sheet	6 of 7 size			
		ctr	M. HAHN	3/23/90	type	Product Customer Drawing			
		appd	M. HAHN	3/23/90					
Sheet	revision								
Index	Sheet								

PRODUCT NUMBER	POS.	DIM. A	DIM. B	INSULATION PLUG	LEAD FREE OPTION
66925-541	2X41	4.00/101.6	4.120/104.65	YES	
-542	2X42	4.10/104.1	4.220/107.19		
-543	2X43	4.20/106.6	4.320/109.73		
-544	2X44	4.30/109.2	4.420/112.27		
-545	2X45	4.40/111.7	4.520/114.81		
-546	2X46	4.50/114.3	4.620/117.35		
-547	2X47	4.60/116.8	4.720/119.89		
-548	2X48	4.70/119.3	4.820/122.43		
-549	2X49	4.80/121.9	4.920/124.97		
-550	2X50	4.90/124.4	5.020/127.51		
-551	2X51	5.00/127.0	5.120/130.05		
-552	2X52	5.10/129.5	5.220/132.59		
-553	2X53	5.20/132.0	5.320/135.15		
-554	2X54	5.30/134.6	5.420/137.67		
-555	2X55	5.40/137.1	5.520/140.21		
-556	2X56	5.50/139.7	5.620/142.76		
-557	2X57	5.60/142.2	5.720/145.29		
-558	2X58	5.70/144.7	5.820/147.83		
-559	2X59	5.80/147.3	5.920/150.37		
-560	2X60	5.90/149.8	6.020/152.91		
-561	2X61	6.00/152.4	6.120/155.45		
-562	2X62	6.10/154.9	6.220/157.99		
-563	2X63	6.20/157.4	6.320/160.53		
-564	2X64	6.30/160.0	6.420/163.07		
66925-565	2X65	6.40/162.5	6.520/165.61	YES	

NOTE 6,7

NOTE 6,7

OBSOLETE

6

C

B

A

6

5

5

4

4

3

2

2

1

1



PRODUCT NUMBER	NO. OF POS.	DIM.A	DIM. B	INSUL. PLUG	SPECIAL MARKING	CUST. RESTR.	LEAD FREE OPTION	66925-800	2X50	4.90/124.4	5.02/127.5	NO	66925-800 104100110 DATE CODE	YES.	NOTE 6,7
								66925-801	2X100	9.90/251.4	10.02/254.5	NO	66925-801 10410111 DATE CODE	YES.	
66925-802	2X4	.30/7.6	.42/10.6	NO	FCI	YES.	OBSOLETE	OBSOLETE	NOTE 6,7						
66925-803	2X6	.50/12.7	.62/15.7	NO	FCI	YES.									

mat'l code	surface	ISO 1302	tolerance	ISO 406 ISO 101	projection	product family	CARD CONN.	title	CARD CONN.
lit	ec'n no	dp	date	tolerances unless otherwise specified	projection	product family	CARD CONN.	title	CARD CONN.
S	angles	linear	XXXX.000/XXXX.000	XXXX.000/XXXX.000	INCH/MM	scale	4:1	dwg no	66925
dp	J. SHREINER	3/23/90	engr	M. HAHN	3/23/90	ctf	M. HAHN	3/23/90	appd
dp	M. HAHN	3/23/90	engr	M. HAHN	3/23/90	ctf	M. HAHN	3/23/90	appd
dp	M. HAHN	3/23/90	engr	M. HAHN	3/23/90	ctf	M. HAHN	3/23/90	appd
Sheet	revision	Sheet	revision	Sheet	revision	Sheet	revision	Sheet	revision
Index	Sheet	Index	Sheet	Index	Sheet	Index	Sheet	Index	Sheet

6 5 4 3 2 1 A B C D

X-ON Electronics

Largest Supplier of Electrical and Electronic Components

Click to view similar products for [Headers & Wire Housings](#) category:

Click to view products by [Amphenol](#) manufacturer:

Other Similar products are found below :

[95000-104TRLF](#) [10135584-644402LF](#) [DF62W-EP2022PCA](#) [95000-106TRLF](#) [DF62W-2022SCA](#) [DF62W-EP2022PC](#) [2203348](#) [DF62W-2022SC](#) [1084018](#) [1029039](#) [1084017](#) [802-10-012-10-002000](#) [1112640](#) [1112639](#) [000-34000](#) [0008550134](#) [0009482033](#) [0009507031](#) [57102-F02-18ULF](#) [57102-S06-03LF](#) [57202-S52-04LF](#) [PCN6-15S-2.5E](#) [0039019024](#) [58102-G61-06LF](#) [582553-1](#) [0009485154](#) [0009508121](#) [009176003701906](#) [0022285053](#) [0050291907](#) [018731A](#) [LY20-4P-DT1-P1E-BR](#) [02.125.8002.8](#) [60101931](#) [60598-1 \(Cut Strip\)](#) [M1625-3R/100](#) [61062-3](#) [61082-181009](#) [CSU011177004](#) [636-1427](#) [638009-1](#) [641938-9](#) [641991-4](#) [644168-1](#) [644827-2](#) [647662-1](#) [65039-019ELF](#) [65692-001LF](#) [65781-018](#) [65781-047](#)