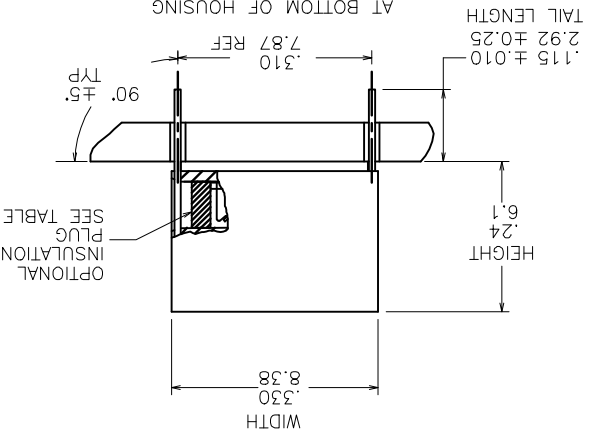
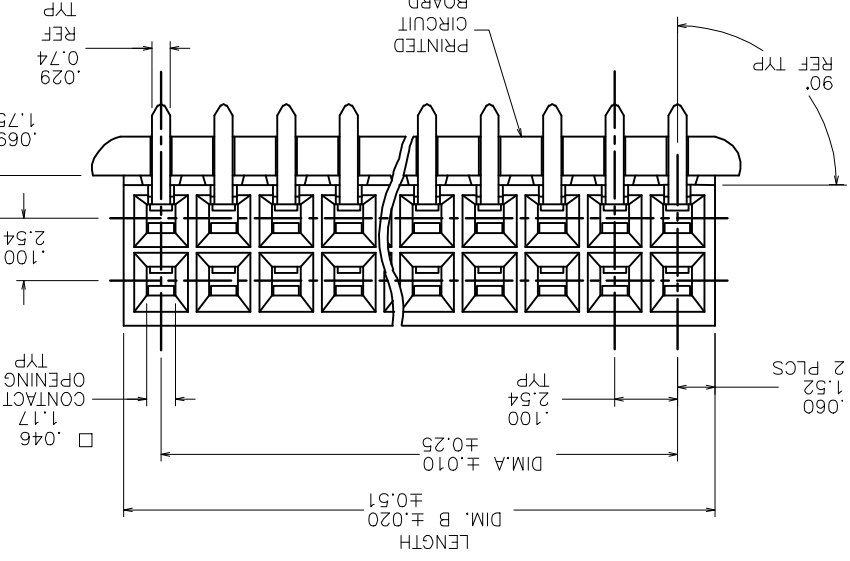
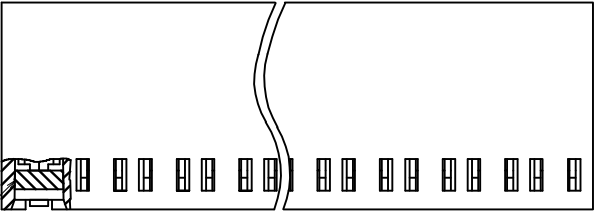


PRODUCT NO.
SEE TABLE

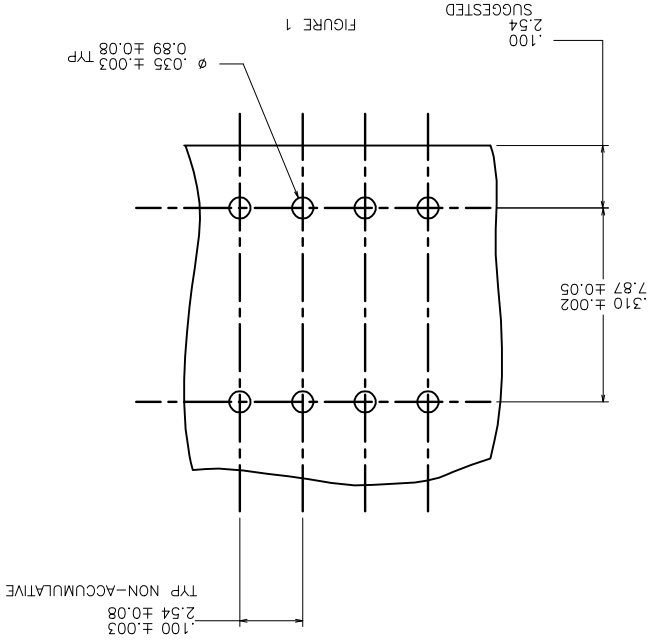
OPTIONAL
INSULATION
PLUG



mat'l code	ISO 1302	surface	tolerance	ISO 406	projection	product family	CARD CONN.
lit'r	ec'n no	dp	date	ISO 101	tolerances unless otherwise specified	title	CARD CONN.
K	V70746	EPK	4/24/97		linear	INCH/MM	
L	V70994	JM	10/19/97		linear	INCH/MM	
M	V02523	AZ	10/25/00		linear	INCH/MM	
N	M05-0245	MHT	11/23/05	XXX .002/.002/XXX	scale 4:1		
P	M07-0137	MHT	2/26/07	XXX+.005/XXX.13			
R	M08-0232	MHT	8/14/08	XXX+.005/XXX.13			
S	M09-0093	MHT	6/22/09				
Revision	Sheet	FCI Product Customer Drawing 66925 Sheet 1 of 7 Size A3 Scale 4:1 HORIZ. CARD CONN. D/R .100/2.54 CL.					
Sheet	Revision						
1	1						
2	2						
3	3						
4	4						
5	5						
6	6						
7	7						
8	8						
9	9						
10	10						



PRODUCT NO.
SEE TABLE



NOTES:

1. HOUSING MATERIAL, FILLED HIGH TEMPERATURE NYLON. PER UL 94V-0 COLOR, BLACK.
2. TERMINAL MATERIAL, BODY, BRASS .010/0.25 THICK. SPRING, BE-CU, HEAT TREATED. 30 MICRONS/0.76 MICRON GOLD OR GXT OVER 50 MICRONS NICKEL/1.27 MICRON IN CONTACT AREA. SOLDER TAIL: 100U" PURE TIN (NOTE 9) OVER .050U" NICKEL. SPRING PLATING, GOLD FLASH
3. MARK "FCI" PART NUMBER AND DATE CODE LEGIBLE ON TUBE LABEL.
4. APPLICATION INFORMATION, A. RECOMMENDED MOUNTING HOLE PATTERN IS SHOWN IN FIG. "1". B. ALL MATING PINS TO BE .025/0.64 SQUARE ON TRUE CENTER OF GIVEN TERMINAL SPACINGS WITHIN .015/0.38 DIA. C. SUGGESTED MATING PIN LENGTH .350±.020/8.89±0.51. 5. SOLDER TAIL TO HAVE GOLD FLASH OVER .050U" NICKEL.
6. ADD "L" SUFFIX AT THE END OF PART NUMBER FOR LEAD FREE OPTION.
7. THESE PRODUCT MEETS EUROPEAN UNION DIRECTIVES AND OTHER COUNTRY REGULATIONS AS DESCRIBED IN GS-22-008
8. THIS PART WILL WITHSTAND EXPOSURE TO 260°C PEAK TEMPERATURE FOR 20 SECONDS IN A WAVE SOLDER, INFRA-RED OR VAPOR PHASE SOLDER PROCESSES.
9. THIS PRODUCT HAS 100% TIN PLATING IN THE INTERFACE AND HAS NOT BEEN TESTED FOR WISKER GROWTH IN ALL INTERCONNECT REQUIREMENTS.
10. PLATING OPTIONS: MAY BE EITHER GOLD OR GXT PLATED AT MANUFACTURER'S OPTION.

mat'l code		ISO 1302	surface	tolerance	ISO 406	ISO 1001	ISO 1001
lit	ec'n no	dp	date	tolerances unless otherwise specified			
S			angles	linear	XXX ±.005/XX.013	XXX ±.002/XX.013	0 ±.2
			dp	J. SHREINER	3/23/90		
			eng	M. HAHN	3/23/90		
			ctr	M. HAHN	3/23/90		
			appd	M. HAHN	3/23/90		
Sheet	revision	Sheet	Index				

product family	CARD CONN.	product family	CARD CONN.
title	HORIZ. CARD CONN.	title	CARD CONN.
INCH/MM	4:1	INCH/MM	4:1
angles	linear	angles	linear
XXX ±.005/XX.013	XXX ±.002/XX.013	XXX ±.005/XX.013	XXX ±.002/XX.013
0 ±.2	0 ±.2	0 ±.2	0 ±.2
dp	J. SHREINER	dp	J. SHREINER
3/23/90	3/23/90	3/23/90	3/23/90
eng	M. HAHN	eng	M. HAHN
3/23/90	3/23/90	3/23/90	3/23/90
ctr	M. HAHN	ctr	M. HAHN
3/23/90	3/23/90	3/23/90	3/23/90
appd	M. HAHN	appd	M. HAHN
3/23/90	3/23/90	3/23/90	3/23/90

type Product Customer Drawing
 66925
 sheet 2 of 7 size A3



mat'l code		ISO 1502	surface	tolerance	ISO 406 ISO 406 ISO 1001	projection	product family	CARD CONN.	title	CARD CONN.
lfr	ecn no	dp	date	tolerances unless otherwise specified						
S	angles	linear	XXXX.005/XXXX.013	XXXX.005/XXXX.013	INCH/MM	4:1	HORIZ. CARD CONN.			
	dp	J. SHREINER	3/23/90	dp	J. SHREINER	3/23/90	dwg no	66925	sheet	4 of 7
	engr	M. HAHN	3/23/90	engr	M. HAHN	3/23/90	type	Product Customer Drawing	A3	
	chr	M. HAHN	3/23/90	chr	M. HAHN	3/23/90				
	appd	M. HAHN	3/23/90	appd	M. HAHN	3/23/90				
Sheet	revision			Sheet	revision					
Index				Index						

PRODUCT NUMBER	NO. OF POS.	DIM. A	DIM. B	INSULATION PLUG	LEAD FREE OPTION
66925-041	2X41	4.00/101.6	4.120/104.65	NO	NO
-042	2X42	4.10/104.1	4.220/107.19		
-043	2X43	4.20/106.6	4.320/109.73		
-044	2X44	4.30/109.2	4.420/112.27		
-045	2X45	4.40/111.7	4.520/114.81		
-046	2X46	4.50/114.3	4.620/117.35		
-047	2X47	4.60/116.8	4.720/119.89		
-048	2X48	4.70/119.3	4.820/122.43		
-049	2X49	4.80/121.9	4.920/124.97		
-050	2X50	4.90/124.4	5.020/127.51		
-051	2X51	5.00/127.0	5.120/130.05		
-052	2X52	5.10/129.5	5.220/132.59		
-053	2X53	5.20/132.0	5.320/135.15		
-054	2X54	5.30/134.6	5.420/137.67		
-055	2X55	5.40/137.1	5.520/140.21		
-056	2X56	5.50/139.7	5.620/142.76		
-057	2X57	5.60/142.2	5.720/145.29		
-058	2X58	5.70/144.7	5.820/147.83		
-059	2X59	5.80/147.3	5.920/150.37		
-060	2X60	5.90/149.8	6.020/152.91		
-061	2X61	6.00/152.4	6.120/155.45		
-062	2X62	6.10/154.9	6.220/157.99		
-063	2X63	6.20/157.4	6.320/160.53		
-064	2X64	6.30/160.0	6.420/163.07		
66925-065	2X65	6.40/162.5	6.520/165.61		
066 THRU					
109					

NOTE 6,7
 ↓
 OBSOLETE

6 5 4 3 2 1 0

PRODUCT NUMBER	POS.	DIM. A	DIM. B	INSULATION PLUG	LEAD FREE OPTION
66925-501	2X1	.00/.0	.129/3.05	YES	UNASSIGNED
-502	2X2	.10/2.5	.229/5.59	YES	UNASSIGNED
-503	2X3	.20/5.0	.329/8.13	YES	UNASSIGNED
-504	2X4	.30/7.5	.429/10.67	YES	UNASSIGNED
-505	2X5	.40/10.1	.529/13.21	YES	UNASSIGNED
-506	2X6	.50/12.7	.629/15.75	YES	UNASSIGNED
-507	2X7	.60/15.2	.729/18.27	YES	UNASSIGNED
-508	2X8	.70/17.7	.829/20.83	YES	UNASSIGNED
-509	2X9	.80/20.3	.929/23.37	YES	UNASSIGNED
-510	2X10	.90/22.8	1.029/25.91	YES	UNASSIGNED
-511	2X11	1.00/25.4	1.129/28.45	YES	UNASSIGNED
-512	2X12	1.10/27.9	1.229/30.99	YES	UNASSIGNED
-513	2X13	1.20/30.4	1.329/33.53	YES	UNASSIGNED
-514	2X14	1.30/33.0	1.429/36.07	YES	UNASSIGNED
-515	2X15	1.40/35.5	1.529/38.61	YES	UNASSIGNED
-516	2X16	1.50/38.1	1.629/41.15	YES	UNASSIGNED
-517	2X17	1.60/40.6	1.729/43.69	YES	UNASSIGNED
-518	2X18	1.70/43.1	1.829/46.23	YES	UNASSIGNED
-519	2X19	1.80/45.7	1.929/48.77	YES	UNASSIGNED
-520	2X20	1.90/48.2	2.029/51.31	YES	UNASSIGNED
-521	2X21	2.00/50.8	2.129/53.85	YES	UNASSIGNED
-522	2X22	2.10/53.3	2.229/56.39	YES	UNASSIGNED
-523	2X23	2.20/55.8	2.329/58.93	YES	UNASSIGNED
-524	2X24	2.30/58.4	2.429/61.47	YES	UNASSIGNED
-525	2X25	2.40/60.9	2.529/64.01	YES	UNASSIGNED
-526	2X26	2.50/63.5	2.629/66.55	YES	UNASSIGNED
-527	2X27	2.60/66.0	2.729/69.09	YES	UNASSIGNED
-528	2X28	2.70/68.5	2.829/71.63	YES	UNASSIGNED
-529	2X29	2.80/71.1	2.929/74.17	YES	UNASSIGNED
-530	2X30	2.90/73.6	3.029/76.71	YES	UNASSIGNED
-531	2X31	3.00/76.2	3.129/79.25	YES	UNASSIGNED
-532	2X32	3.10/78.7	3.229/81.79	YES	UNASSIGNED
-533	2X33	3.20/81.2	3.329/84.33	YES	UNASSIGNED
-534	2X34	3.30/83.8	3.429/86.87	YES	UNASSIGNED
-535	2X35	3.40/86.3	3.529/89.41	YES	UNASSIGNED
-536	2X36	3.50/88.9	3.629/91.95	YES	UNASSIGNED
-537	2X37	3.60/91.4	3.729/94.49	YES	UNASSIGNED
-538	2X38	3.70/93.9	3.829/97.03	YES	UNASSIGNED
-539	2X39	3.80/96.5	3.929/99.57	YES	UNASSIGNED
66925-540	2X40	3.90/99.0	4.029/102.11	YES	UNASSIGNED

NOTE 6,7

matl. code	
surface	ISO 1302
tolerance	ISO 406 ISO 1001
projection	
product family	CARD CONN.
title	CARD CONN.
angles	linear XXX4.06/XX4.13
0°±2'	XXX4.062/XXX4.065
scale	4:1
dwg no	66925
sheet 5 of 7 size	A3
type	Product Customer Drawing
Sheet	Revision
appd	M. HAHN 3/23/90
chr	M. HAHN 3/23/90
engr	M. HAHN 3/23/90
dr	J. SHREINER 3/23/90



mat'l code		ISO 1502	surface	tolerance	projection	product family	CARD CONN.
litr	ecm no	dp	date	tolerances unless otherwise specified			
S	angles	linear	xxx.01/xx0.3	xxx.05/xx0.13	INCH/MM	title	
	0±.2		xxx.002/xxx0.005	xxx.005/xxx0.005	scale 4:1		
	dp	J. SHREINER	3/23/90			dwg no	66925
	engr	M. HAHN	3/23/90			sheet	6 of 7 size
	ctr	M. HAHN	3/23/90			type	Product Customer Drawing
	appd	M. HAHN	3/23/90				
Sheet	revision						
Index	Sheet						

PRODUCT NUMBER	POS.	DIM. A	DIM. B	INSULATION PLUG	LEAD FREE OPTION
66925-541	2X41	4.00/101.6	4.120/104.65	YES	
-542	2X42	4.10/104.1	4.220/107.19		
-543	2X43	4.20/106.6	4.320/109.73		
-544	2X44	4.30/109.2	4.420/112.27		
-545	2X45	4.40/111.7	4.520/114.81		
-546	2X46	4.50/114.3	4.620/117.35		
-547	2X47	4.60/116.8	4.720/119.89		
-548	2X48	4.70/119.3	4.820/122.43		
-549	2X49	4.80/121.9	4.920/124.97		
-550	2X50	4.90/124.4	5.020/127.51		
-551	2X51	5.00/127.0	5.120/130.05		
-552	2X52	5.10/129.5	5.220/132.59		
-553	2X53	5.20/132.0	5.320/135.15		
-554	2X54	5.30/134.6	5.420/137.67		
-555	2X55	5.40/137.1	5.520/140.21		
-556	2X56	5.50/139.7	5.620/142.76		
-557	2X57	5.60/142.2	5.720/145.29		
-558	2X58	5.70/144.7	5.820/147.83		
-559	2X59	5.80/147.3	5.920/150.37		
-560	2X60	5.90/149.8	6.020/152.91		
-561	2X61	6.00/152.4	6.120/155.45		
-562	2X62	6.10/154.9	6.220/157.99		
-563	2X63	6.20/157.4	6.320/160.53		
-564	2X64	6.30/160.0	6.420/163.07		
66925-565	2X65	6.40/162.5	6.520/165.61	YES	
566 THRU					

OBSELETE

NOTE 6,7

6 5 4 3 2 1 0

0 1 2 3 4 5 6



PRODUCT NUMBER		NO. OF POS.	DIM.A	DIM. B	INSUL. PLUG	SPECIAL MARKING	CUST. RESTR.	LEAD FREE OPTION
66925-800	2X50	4.90/124.4	5.02/127.5	NO	66925-800 104100110 DATE CODE	YES.		
66925-801	2X100	9.90/251.4	10.02/254.5	NO	66925-801 10410111 DATE CODE	YES.		
66925-802	2X4	.30/7.6	.42/10.6	NO	FCI	YES		
66925-803	2X6	.50/12.7	.62/15.7	NO	FCI	YES		

NOTE 6,7
 OBSOLETE
 OBSOLETE
 NOTE 6,7

mat'l code	surface	ISO 1302	tolerance	ISO 406 ISO 101	projection	product family	CARD CONN.	title	CARD CONN.
lit	ec'n no	dp	date	tolerances unless otherwise specified					
S	angles	linear	XXX 101/XX0.3	XXX 005/XX0.3	INCH/MM	HORIZ. CARD CONN. D/R .100/2.54 CL			
	0 ±.2		XXX 1.000/XXX0.005	XXX 005/XX0.005	scale	4:1	dwg no		
	dp	J. SHREINER	3/23/90		66925				
	engr	M. HAHN	3/23/90		sheet 7 of 7 size				
	ctr	M. HAHN	3/23/90		A3				
	appd	M. HAHN	3/23/90		Product Customer Drawing				
Sheet	revision								
Index	Sheet								

6 5 4 3 2 1 0

X-ON Electronics

Largest Supplier of Electrical and Electronic Components

Click to view similar products for [Standard Card Edge Connectors](#) category:

Click to view products by [Amphenol](#) manufacturer:

Other Similar products are found below :

[6565204-6](#) [PKC-156](#) [1437274-4](#) [147889-1](#) [1489165-4](#) [EBT156-12B1X](#) [EBT15622B2X](#) [EBT156-22R2W](#) [1-582587-1](#) [1-582589-1](#) [2-6437275-9](#) [284-0102-12100](#) [306022901000000](#) [307-012-502-202](#) [307-024-526-201](#) [307-056-520-300](#) [307-080-526-208](#) [245-062-520-350](#) [287-0032-12101](#) [306-010-500-112](#) [306-028-525-102](#) [306-240-318](#) [307-036-502-202](#) [307-036-521-301](#) [307-072-526-202](#) [345-060-559-303](#) [368-004-520-201](#) [392-008-559-201](#) [534671-1](#) [5-530501-5](#) [341-240-317](#) [345-029-520-300](#) [345-030-500-301](#) [345-044-500-300](#) [345-220-058](#) [346-240-318](#) [357-030-526-201](#) [387-012-523-300](#) [395-044-520-300](#) [395-100-524-300](#) [50-12B-10](#) [50-6SN-5](#) [09-07-2032](#) [10035388-106LF](#) [10035388-802LF](#) [10122859-009LF](#) [10127905-B04B24BLF](#) [530555-1](#) [EBT156-15A2X](#) [2007209-1](#)