

D

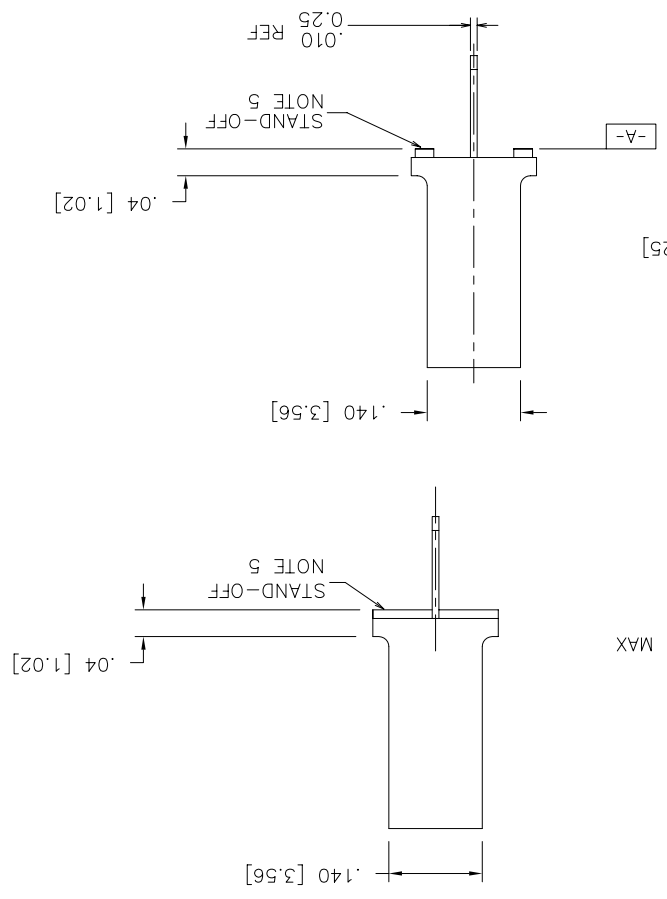
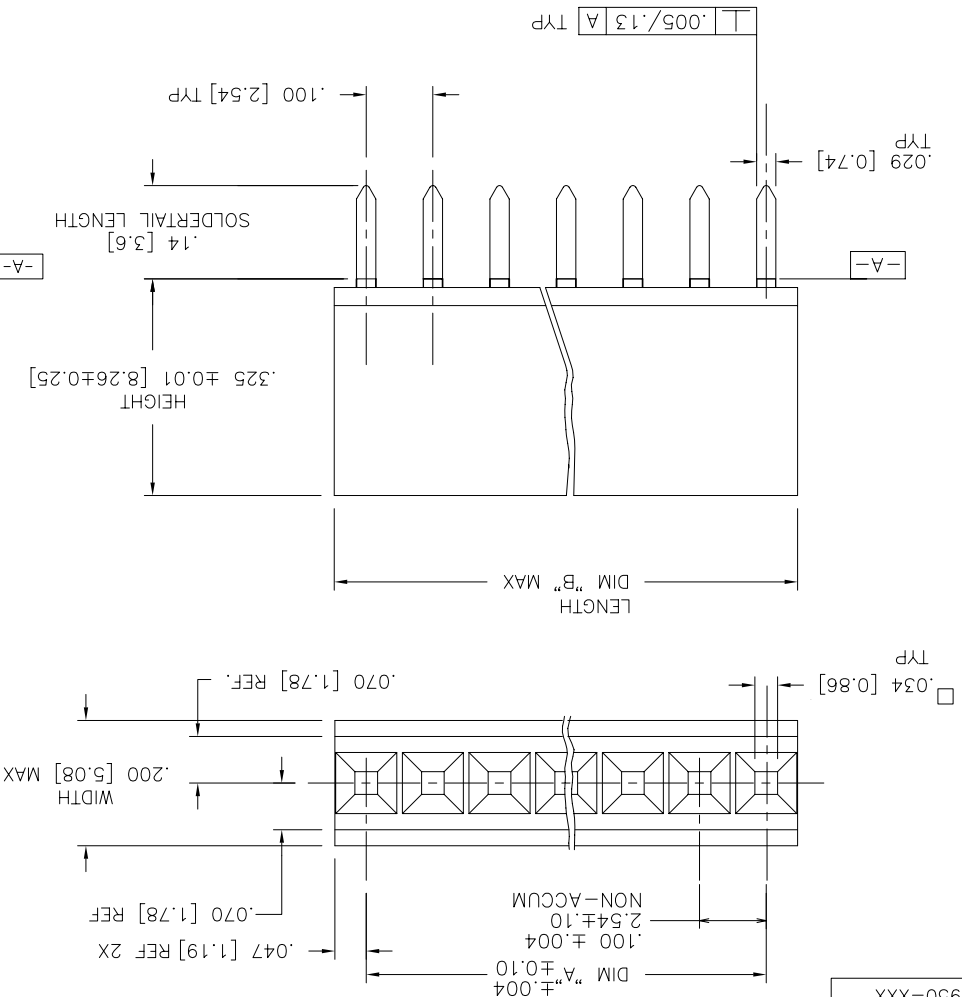
Copyright FCI

FCIconnect.com



A

PRODUCT NUMBER
66950-XXX



mat'l. code		surface		tolerance		projection		product family		CARD CONN	
NOTES 1 & 2		ISO 1502		ISO 406		ISO 1101		VERTICAL CARD CONN.		CARD CONN	
itr	ecn no	dr	date	tolerances unless otherwise specified		.xxx±.01/.xx±.3		INCH/MM		title	
D	V11848	JCS	7/12/91	angles		.xxx±.005/.xxx±.13		scale 1:4		VERTICAL CARD CONN.	
E	V23245	MRC	10/13/92	inclin		.xxx±.005/.xxx±.13		scale 1:4		VERTICAL CARD CONN.	
F	V70788	LSS	6/23/97	O.F.Z.		.xxx±.020/.xxx±.051		scale 1:4		VERTICAL CARD CONN.	
G	V94468	MDF	12/27/99	J.SHREINER		7/12/91		scale 1:4		VERTICAL CARD CONN.	
H	M05-0210	ERE	10/11/05	engr		7/12/91		scale 1:4		VERTICAL CARD CONN.	
J	M06-0210	MHT	6/03/06	chr		7/12/91		scale 1:4		VERTICAL CARD CONN.	
revision	J	J	J	pppd		M.HAHN		7/12/91		scale 1:4	
sheet	1	2	3	index		sheet		1		2	

6	5	4	3	2	1
6	5	4	3	2	1

6	5	4	3	2	1
6	5	4	3	2	1

6	5	4	3	2	1
6	5	4	3	2	1

6	5	4	3	2	1
6	5	4	3	2	1

6	5	4	3	2	1
6	5	4	3	2	1

6	5	4	3	2	1
6	5	4	3	2	1

6	5	4	3	2	1
6	5	4	3	2	1

6	5	4	3	2	1
6	5	4	3	2	1

6	5	4	3	2	1
6	5	4	3	2	1

6	5	4	3	2	1
6	5	4	3	2	1

6	5	4	3	2	1
6	5	4	3	2	1

6	5	4	3	2	1
6	5	4	3	2	1

6	5	4	3	2	1
6	5	4	3	2	1

6	5	4	3	2	1
6	5	4	3	2	1

6	5	4	3	2	1
6	5	4	3	2	1

6	5	4	3	2	1
6	5	4	3	2	1

6	5	4	3	2	1
6	5	4	3	2	1

6	5	4	3	2	1
6	5	4	3	2	1

6	5	4	3	2	1
6	5	4	3	2	1

6	5	4	3	2	1
6	5	4	3	2	1

6	5	4	3	2	1
6	5	4	3	2	1

6	5	4	3	2	1
6	5	4	3	2	1

6	5	4	3	2	1
6	5	4	3	2	1

6	5	4	3	2	1
6	5	4	3	2	1

6	5	4	3	2	1
6	5	4	3	2	1

6	5	4	3	2	1
6	5	4	3	2	1

6	5	4	3	2	1
6	5	4	3	2	1

6	5	4	3	2	1
6	5	4	3	2	1

6	5	4	3	2	1
6	5	4	3	2	1

6	5	4	3	2	1
6	5	4	3	2	1

6	5	4	3	2	1
6	5	4	3	2	1

6	5	4	3	2	1
6	5	4	3	2	1

6	5	4	3	2	1
6	5	4	3	2	1

6	5	4	3	2	1
6	5	4	3	2	1

6	5	4	3	2	1
6	5	4	3	2	1

6	5	4	3	2	1
6	5	4	3	2	1

6	5	4	3	2	1
6	5	4	3	2	1

6	5	4	3	2	1
6	5	4	3	2	1

6	5	4	3	2	1
6	5	4	3	2	1

6	5	4	3	2	1
6	5	4	3	2	1

6	5	4	3	2	1
6	5	4	3	2	1

6	5	4	3	2	1
6	5	4	3	2	1

6	5	4	3	2	1
6	5	4	3	2	1

6	5	4	3	2	1
6	5	4	3	2	1

6	5	4	3	2	1
6	5	4	3	2	1

6	5	4	3	2	1
6	5	4	3	2	1

6	5	4	3	2	1
6	5	4	3	2	1

6	5	4	3	2	1
6	5	4	3	2	1

6	5	4	3	2	1
6	5	4	3	2	1

6	5	4	3	2	1
6	5	4	3	2	1

6	5	4	3	2	1
6	5	4	3	2	1

6	5	4	3	2	1
6	5	4	3	2	1

6	5	4	3	2	1
6	5	4	3	2	1

6	5	4	3	2	1
6	5	4	3	2	1

6	5	4	3	2	1
6	5	4	3	2	1

6	5	4	3	2	1
6	5	4	3	2	1

6	5	4	3	2	1
6	5	4	3	2	1

6	5	4	3	2	1
6	5	4	3	2	1

6	5	4	3	2	1
6	5	4	3	2	1

6	5	4	3	2	1
6	5	4	3	2	1

6	5	4	3	2	1
6	5	4	3	2	1

6	5	4	3	2	1
6	5	4	3	2	1

6	5	4	3	2	1
6	5	4	3	2	1

6	5	4	3	2	1
6	5	4	3	2	1

6	5	4	3	2	1
6	5	4	3	2	1

6	5	4	3	2	1
6	5	4	3	2	1

6	5	4	3	2	1
6	5	4	3	2	1

6	5	4	3	2	1
6	5	4	3	2	1

6	5	4	3	2	1
6	5	4	3	2	1

6	5	4	3	2	1
6	5	4	3	2	1

6	5	4	3	2	1
6	5	4	3	2	1

6	5	4	3	2	1
6	5	4	3	2	1

6	5	4	3	2	1
6	5	4	3	2	1

6	5	4	3	2	1
6	5	4	3	2	1

6	5	4	3	2	1
6	5	4	3	2	1

6	5	4	3	2	1
6					

PRODUCT NUMBER	SEE TABLE
----------------	-----------

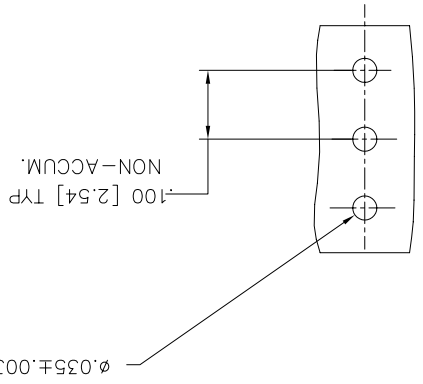


FIGURE "A"
SCALE 4:1

NOTES.

- ① HOUSING MATERIAL: FILLED POLYESTER, FLAME RETARDANT PER UL 94V-0. COLOR: BLACK.
- ② TERMINAL MATERIAL: BRASS BODY; BECU; HEAT TREATED SPRING: 15u" [.38u] Au OVER 50u" [1.27]u Ni IN CONTACT AREA SPRING PLATING: GOLD FLASH

3. MARKING: FCI PART NUMBER AND DATE CODE LEGIBLE ON TUBE LABEL.
4. APPLICATION INFORMATION:
 - A. RECOMMENDED MOUNTING HOLE PATTERN IS SHOWN IN FIGURE A.
 - B. ALL MATING PINS TO BE .025 [.64] SQUARE ON TRUE CENTER OF GIVEN TERMINAL SPACINGS, WITHIN .015 [.38] DIAMETER.
 - C. SUGGESTED MATING PIN LENGTH, .210 ±.020 [5.33 ±.51].
- ⑤ STAND-OFF CONFIGURATION BUMP OR RIB, AT MANUFACTURES' OPTION.
- ⑥ ADD "LF" SUFFIX AT THE END OF PART NUMBER FOR LEAD FREE OPTION.
- ⑦ THESE PRODUCTS MEET EUROPEAN UNION DIRECTIVES AND OTHER COUNTRY REGULATIONS AS DESCRIBED IN GS-22-008.
8. THIS PART WILL WITHSTAND EXPOSURE TO 260°C PEAK TEMPERATURE FOR 20 SECONDS IN WAVE SOLDER, INFRA-RED OR VAPOR PHASE SOLDER PROCESS.

matl. code		ISO 1302	ISO 406	ISO 1101	projection	product family	CARD CONN
surface	tolerance	ISO 1302	ISO 406	ISO 1101	projection	product family	CARD CONN
itr	ecn no	dr	date	tolerances unless otherwise specified	XX±.01/XX.3	INCH/MM	title
J				ingles	0°±.2	scale 1:4	VERTICAL CARD CONN.
				linogr	XXXX.005/XXX.13		100/2.54 CTR. SINGLE. ROW
				dr	J.SHREINER	7/12/91	sheet no
				engr	M.HAHN	7/12/91	sheet 2 of 3 size
				chr	M.HAHN	7/12/91	66950
				pppd	M.HAHN	7/12/91	A3
sheet	revision						
index	sheet						

D

Copyright FCI

FCI
FCIconnect.com

A

D

PRODUCT NO.	NO OF POSITIONS	DIM A	DIM B	LEAD FREE OPTION
66950-001	UNASSIGNED			
-002	1 X 2	100/2.54	200/5.08	
-003	1 X 3	200/5.08	300/7.62	
-004	1 X 4	300/7.62	400/10.16	
-005	1 X 5	400/10.16	500/12.70	
-006	1 X 6	500/12.70	600/15.24	
-007	1 X 7	600/15.24	700/17.78	
-008	1 X 8	700/17.78	800/20.32	
-009	1 X 9	800/20.32	900/22.86	
-010	1 X 10	900/22.86	1000/25.40	
-011	1 X 11	1000/25.40	1100/27.94	
-012	1 X 12	1100/27.94	1200/30.48	
-013	1 X 13	1200/30.48	1300/33.02	
-014	1 X 14	1300/33.02	1400/35.56	
-015	1 X 15	1400/35.56	1500/38.10	
-016	1 X 16	1500/38.10	1600/40.64	
-017	1 X 17	1600/40.64	1700/43.18	
-018	1 X 18	1700/43.18	1800/45.72	
-019	1 X 19	1800/45.72	1900/48.26	
-020	1 X 20	1900/48.26	2000/50.80	
-021	1 X 21	2000/50.80	2100/53.34	
-022	1 X 22	2100/53.34	2200/55.88	
-023	1 X 23	2200/55.88	2300/58.42	
-024	1 X 24	2300/58.42	2400/60.96	
-025	1 X 25	2400/60.96	2500/63.50	
-026	1 X 26	2500/63.50	2600/66.04	
-027	1 X 27	2600/66.04	2700/68.58	
-028	1 X 28	2700/68.58	2800/71.12	
-029	1 X 29	2800/71.12	2900/73.66	
-030	1 X 30	2900/73.66	3000/76.20	
-031	1 X 31	3000/76.20	3100/78.74	
-032	1 X 32	3100/78.74	3200/81.28	
-033	1 X 33	3200/81.28	3300/83.82	
-034	1 X 34	3300/83.82	3400/86.36	
-035	1 X 35	3400/86.36	3500/88.90	
66950-036	1 X 36	3500/88.90	3600/91.44	

NOTE 6,7

NOTE 6,7

DBS

matl. code		surface	ISO 1302	tolerance	ISO 406 ISO 1101	projection	product family	CARD CONN
itr	ecn no	dr	date	tolerances unless otherwise specified	XXXX.01/XX.3		title	VERTICAL CARD CONN
	ngles	indeg	XXXX.005/XXX.13					
	0°±2'		XXXX.0020/XXXX.051					
	scale 1:4							
dr	J.SHREINER	7/12/91					dwg no	66950
engr	M.HAHN	7/12/91					sheets of 3 size	A3
chr	M.HAHN	7/12/91					type	Product Customer Drawing
pppd	M.HAHN	7/12/91						
sheet	revision							
index								

C

B

A

D

X-ON Electronics

Largest Supplier of Electrical and Electronic Components

Click to view similar products for [Headers & Wire Housings](#) category:

Click to view products by [Amphenol](#) manufacturer:

Other Similar products are found below :

[95000-104TRLF](#) [10135584-644402LF](#) [DF62W-EP2022PCA](#) [95000-106TRLF](#) [DF62W-2022SCA](#) [DF62W-EP2022PC](#) [2203348](#) [DF62W-2022SC](#) [1084018](#) [1029039](#) [1084017](#) [802-10-012-10-002000](#) [1112640](#) [1112639](#) [891-007-9SS-BST1T](#) [000-34000](#) [0008550134](#) [0009482033](#) [0009507031](#) [57102-F02-18ULF](#) [57102-S06-03LF](#) [57202-S52-04LF](#) [PCN6-15S-2.5E](#) [0039019024](#) [58102-G61-06LF](#) [582553-1](#) [0009485154](#) [0009508121](#) [009176003701906](#) [0022285053](#) [0050291907](#) [018731A](#) [LY20-4P-DT1-P1E-BR](#) [02.125.8002.8](#) [60101931](#) [60598-1 \(Cut Strip\)](#) [M1625-3R/100](#) [61062-3](#) [61082-181009](#) [CSU011177004](#) [636-1427](#) [638009-1](#) [641938-9](#) [641991-4](#) [644168-1](#) [644827-2](#) [647662-1](#) [65039-019ELF](#) [65692-001LF](#) [65781-018](#)