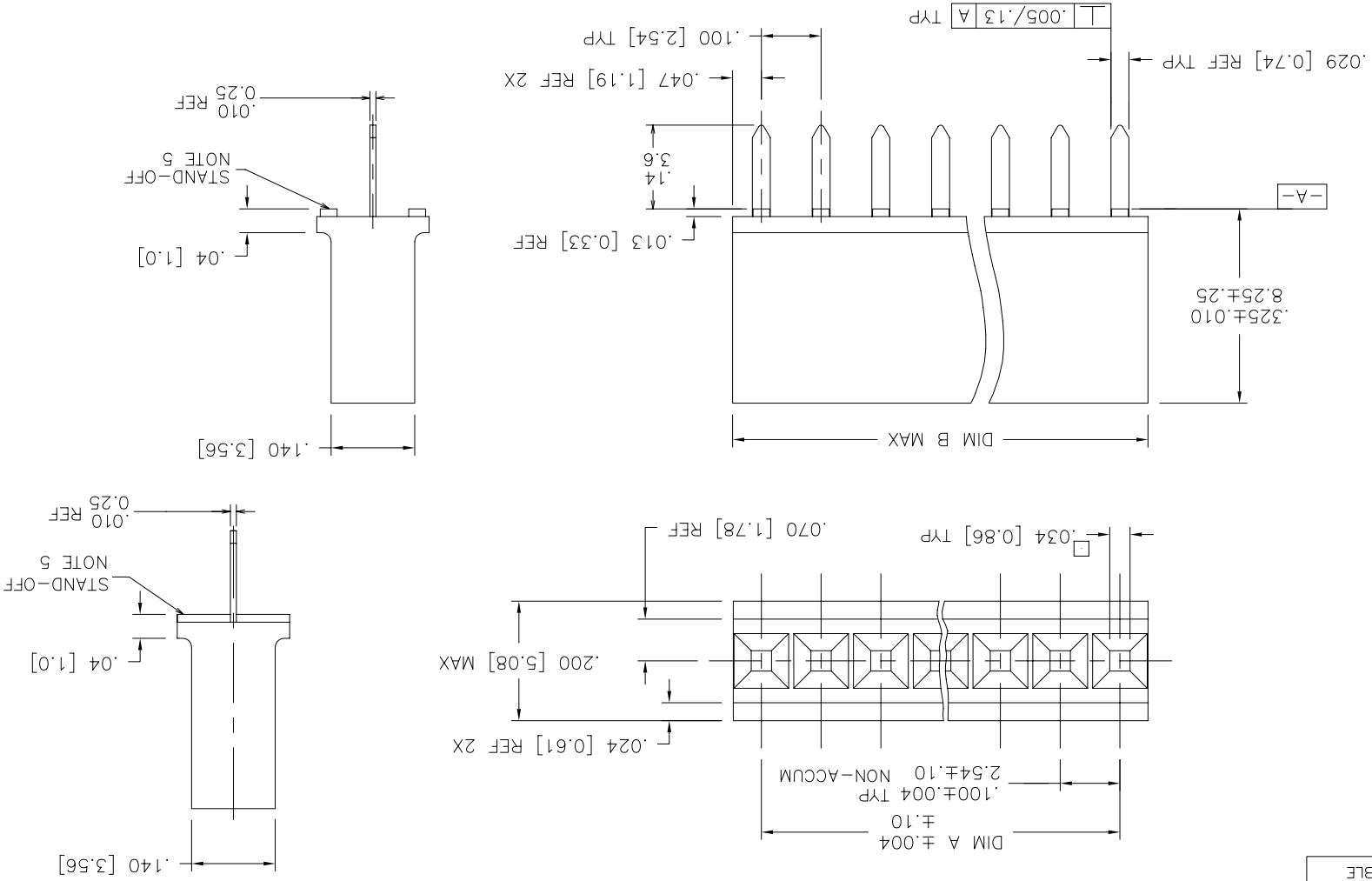
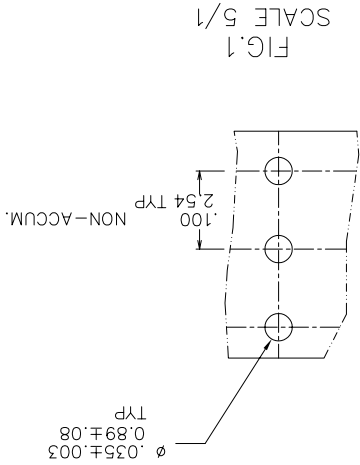


PRODUCT NUMBER
SEE TABLE

mat'l. code		surface		ISO 1302		ISO 406		ISO 1101		tolerance		projection		product family	
NOTES 1 & 2		ISO 1302		ISO 406		ISO 1101		tolerance		projection		product family		CARD CONN	
itr	ecn no	dr	date	tolerances unless otherwise specified								title		VERTICAL CARD CONNECTOR	
F	V11848	JCS	7/2/91	inches		mm		inches		mm		scale 4:1		100/2.54 CTR. SINGLE. ROW	
G	V23245	MRC	10/13/92	.xxx, .01/.xxx, .3		.xxx, .01/.xxx, .3		.xxx, .005/.xxx, .13		.xxx, .005/.xxx, .13		scale 4:1		100/2.54 CTR. SINGLE. ROW	
H	V70789	MDF	8/14/97	0".F.2"		0".F.2"		.xxx, .005/.xxx, .13		.xxx, .005/.xxx, .13		scale 4:1		100/2.54 CTR. SINGLE. ROW	
J	V94468	MDF	1/7/00	dr		J.SHREINER		12/11/90		12/11/90		12/11/90		12/11/90	
K	M05-0210	ERE	10/11/05	engr		M.HAHN		12/11/90		12/11/90		12/11/90		12/11/90	
L	M06-0210	MHT	6/03/06	chr		M.HAHN		12/11/90		12/11/90		12/11/90		12/11/90	
M	M07-0143	ERE	03/03/07	pppd		M.HAHN		12/11/90		12/11/90		12/11/90		12/11/90	
sheet revision		sheet		index		sheet		revision		sheet		index		sheet	
1		1		1		1		1		1		1		1	
2		2		2		2		2		2		2		2	
3		3		3		3		3		3		3		3	
4		4		4		4		4		4		4		4	
5		5		5		5		5		5		5		5	
6		6		6		6		6		6		6		6	





NOTES:
 ① HOUSING MATERIAL: FILLED POLYESTER, FLAME RETARDANT PER UL 94V-0.
 COLOR: BLACK.

② TERMINAL MATERIAL:
 BODY: BRASS
 SPRING: BeCu, HEAT TREATED
 BODY PLATING: 30u" / 76u Au OVER 50u" / 1.27u Ni IN CONTACT AREA.
 SPRING PLATING: GOLD FLASH
 100u" / 2.54u Sn (NOTE 9) OVER 50u" / 1.27u Ni ON SOLDERTAIL.

3. MARKED FCI PART NUMBER & DATE CODE LEGIBLE ON TUBE LABEL.

4. APPLICATION INFORMATION:
 A. RECOMMENDED MOUNTING HOLE PATTERN IS SHOWN IN FIG. #1.
 B. ALL MATING PINS TO BE .025/64 SQUARE ON TRUE CENTER OF GIVEN
 TERMINAL SPACINGS. WITHIN .015/38 DIAMETER.
 C. SUGGESTED MATING PIN LENGTH, .210 ± .020/5.33 ± .51.

⑤ STAND-OFF CONFIGURATION:
 BUMP OR RIB AT MANUFACTURERS' OPTION.

⑥ ADD "LF" SUFFIX AT THE END OF PART NUMBER FOR LEAD FREE OPTION.

⑦ THESE PRODUCTS MEET EUROPEAN UNION DIRECTIVES AND OTHER
 COUNTRY REGULATIONS AS DESCRIBED IN GS-22-008.

8. THIS PART WILL WITHSTAND EXPOSURE TO 260°C PEAK TEMPERATURE
 FOR 20 SECONDS IN WAVE SOLDER, INFRA-RED OR VAPOR PHASE
 SOLDER PROCESS.

⑨ "THIS PRODUCT HAS 100% TIN PLATING IN THE INTERFACE AND
 HAS NOT BEEN TESTED FOR WHISKER GROWTH IN ALL INTERCONNECT
 ENVIRONMENTS."


mat'l. code		ISO 1302		surface		tolerance		projection		product family	
ISO 406		ISO 1101		V				100/2.54 CTR. SINGLE. ROW		CARD CONN	
itr	ecn	no	dr	date	tolerances unless otherwise specified	inches	mm	projection		product family	
M					.xxx, .01/xxx, .3			INCH/MM		CARD CONN	
ngles			0° ± .2		inches	xxx, .005/xxx, .13		scale 4:1		VERTICAL CARD CONNECTOR	
dr	J.SHREINER	12/11/90			xxx, .020/xxx, .051			title		product family	
engr	M.HAHN	12/11/90						title		product family	
chr	M.HAHN	12/11/90						title		product family	
ppd	M.HAHN	12/11/90						title		product family	
sheet revision		index		sheet		revision		sheet		index	
66951		A3		sheet 2 of 4		66951		A3		sheet 2 of 4	

PRODUCT NO	NO. OF POS	DIM A	DIM B	DESC P/N ON -8XX SERIES ONLY	LEAD FREE OPTION
66951-Y01	U N A S S I G N E D				
-Y02	1X2	.100/2.54	.200/5.08	WWWWW-02	
-Y03	1X3	.200/5.08	.300/7.62	WWWWW-03	
-Y04	1X4	.300/7.62	.400/10.16	WWWWW-04	
-Y05	1X5	.400/10.16	.500/12.70	WWWWW-05	
-Y06	1X6	.500/12.70	.600/15.24	WWWWW-06	
-Y07	1X7	.600/15.24	.700/17.78	WWWWW-07	
-Y08	1X8	.700/17.78	.800/20.32	WWWWW-08	
-Y09	1X9	.800/20.32	.900/22.86	WWWWW-09	
-Y10	1X10	.900/22.86	1.000/25.40	WWWWW-10	
-Y11	1X11	1.000/25.40	1.100/27.94	WWWWW-11	
-Y12	1X12	1.100/27.94	1.200/30.48	WWWWW-12	
-Y13	1X13	1.200/30.48	1.300/33.02	WWWWW-13	
-Y14	1X14	1.300/33.02	1.400/35.56	WWWWW-14	
-Y15	1X15	1.400/35.56	1.500/38.10	WWWWW-15	
-Y16	1X16	1.500/38.10	1.600/40.64	WWWWW-16	
-Y17	1X17	1.600/40.64	1.700/43.18	WWWWW-17	
-Y18	1X18	1.700/43.18	1.800/45.72	WWWWW-18	
-Y19	1X19	1.800/45.72	1.900/48.26	WWWWW-19	
-Y20	1X20	1.900/48.26	2.000/50.80	WWWWW-20	
-Y21	1X21	2.000/50.80	2.100/53.34	WWWWW-21	
-Y22	1X22	2.100/53.34	2.200/55.88	WWWWW-22	
-Y23	1X23	2.200/55.88	2.300/58.42	WWWWW-23	
-Y24	1X24	2.300/58.42	2.400/60.96	WWWWW-24	
66951-Y25	1X25	2.400/60.96	2.500/63.50	WWWWW-25	

NOTE 6,7

mat'l. code		surface		ISO 1302		tolerance		ISO 406		ISO 1101	
itr		ecn no		dr		date		tolerances unless otherwise specified		.XX#.01/.X#.3	
M		ingles		indeg		.XXX#.005/.XXX#.13		INCH/MM		projection	
title		VERTICAL CARD CONNECTOR		100/2.54 CTR. SINGLE. ROW		scale 4:1		FCI		product family	
type		Product Customer Drawing		66951		A3		sheets of 4 size		dwg no	
sheet		revision		pppd		M.HAHN		12/11/90		12/11/90	
index		sheet		chr		M.HAHN		12/11/90		12/11/90	
				engr		M.HAHN		12/11/90		12/11/90	
				dr		J.SHREINER		12/11/90		12/11/90	

6 5 4 3 2 1 6 5 4 3 2 1 6 5 4 3 2 1

PRODUCT NO	NO. OF POS	DIM A	DIM B	DESC P/N ON -8XX SERIES ONLY	LEAD FREE OPTION
66951-Y26	1X26	2.500/63.50	2.600/66.04	WWWWW-26	NOTE 6,7  NOTE 6,7
-Y27	1X27	2.600/66.04	2.700/68.58	WWWWW-27	
-Y28	1X28	2.700/68.58	2.800/71.12	WWWWW-28	
-Y29	1X29	2.800/71.12	2.900/73.66	WWWWW-29	
-Y30	1X30	2.900/73.66	3.000/76.20	WWWWW-30	
-Y31	1X31	3.000/76.20	3.100/78.74	WWWWW-31	
-Y32	1X32	3.100/78.74	3.200/81.28	WWWWW-32	
-Y33	1X33	3.200/81.28	3.300/83.82	WWWWW-33	
-Y34	1X34	3.300/83.82	3.400/86.36	WWWWW-34	
-Y35	1X35	3.400/86.36	3.500/88.90	WWWWW-35	
66951-Y36	1X36	3.500/88.90	3.600/91.44	WWWWW-36	

mat'l. code		surface		tolerance		projection		product family		CARD CONN	
ISO 1302		ISO 1502		ISO 406		ISO 1101					
M		M		M		M					
tr		ecn		no		dr		date		tolerances unless otherwise specified	
ingles		ingles		ingles		ingles					
0°±2'		0°±2'		0°±2'		0°±2'					
dr		J.SHRINER		12/11/90							
engr		M.HAHN		12/11/90							
chr		M.HAHN		12/11/90							
pppd		M.HAHN		12/11/90							
sheet		revision									
index		sheet									

title		VERTICAL CARD CONNECTOR		100/2.54 CTR. SINGLE. ROW		scale 4:1		dwg no		66951	
type		Product		Customer		Drawing		sheet 4 of 4		A3	

6 5 4 3 2 1 6 5 4 3 2 1 6 5 4 3 2 1

X-ON Electronics

Largest Supplier of Electrical and Electronic Components

Click to view similar products for [Headers & Wire Housings](#) category:

Click to view products by [Amphenol](#) manufacturer:

Other Similar products are found below :

[95000-104TRLF](#) [10135584-644402LF](#) [DF62W-EP2022PCA](#) [95000-106TRLF](#) [DF62W-2022SCA](#) [DF62W-EP2022PC](#) [2203348](#) [DF62W-2022SC](#) [1084018](#) [1029039](#) [1084017](#) [802-10-012-10-002000](#) [1112640](#) [1112639](#) [000-34000](#) [0009482033](#) [0009507031](#) [57102-S06-03LF](#) [57202-S52-04LF](#) [PCN6-15S-2.5E](#) [0039019024](#) [58102-G61-06LF](#) [582553-1](#) [0009485154](#) [0009508121](#) [0022285053](#) [0050291907](#) [018731A](#) [LY20-4P-DT1-P1E-BR](#) [02.125.8002.8](#) [60101931](#) [60598-1 \(Cut Strip\)](#) [M1625-3R/100](#) [61062-3](#) [61082-181009](#) [636-1427](#) [638009-1](#) [641938-9](#) [641991-4](#) [644168-1](#) [647662-1](#) [65039-019ELF](#) [65781-047](#) [65817-002LF](#) [65817-015LF](#) [65863-015LF](#) [66207-023LF](#) [67016-026LF](#) [67046-001LF](#) [67095-007LF](#)