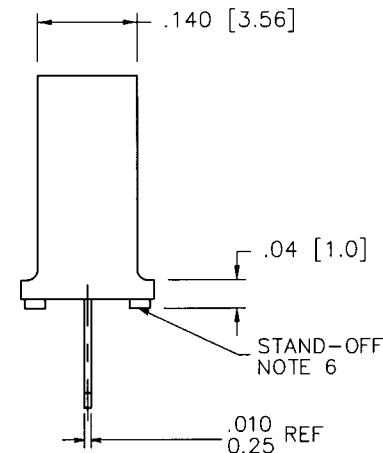
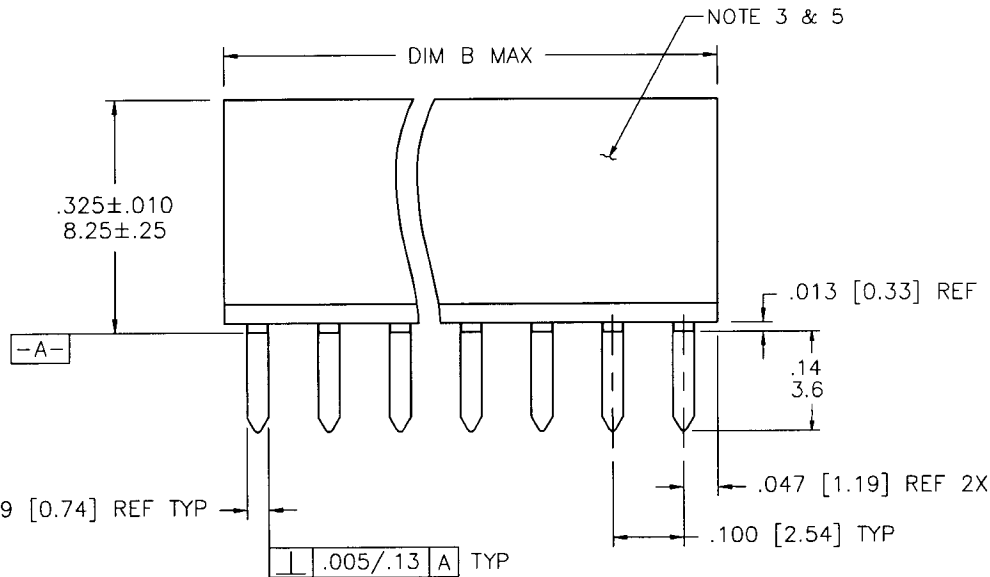
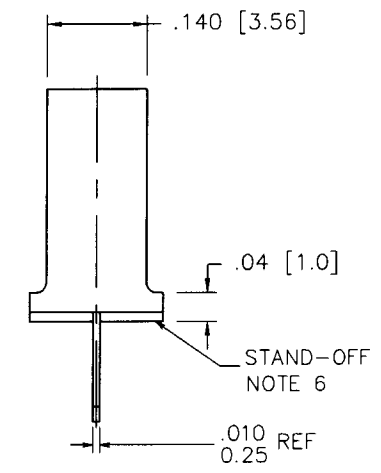
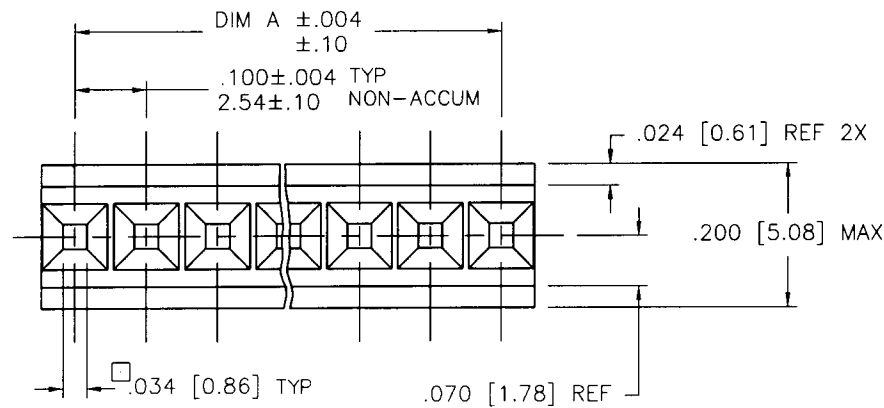


Tous droits strictement reserves. Reproduction ou communication a des tiers interdite sous quelque forme que ce soit sans autorisation écrite du propriétaire. Propriete de c FCI. Droits de reproduction FCI.



All rights strictly reserved. Reproduction or issue to third parties in any form whatever is not permitted without written authority from the proprietor. Property of FCI. Copyright FCI.

PRODUCT NUMBER
SEE TABLE



mat'l. code NOTE 1 & 2				tolerances unless otherwise specified				CUSTOMER COPY		Electronics www.fciconnect.com	
ltr	ecn no	dr	date	linear	.XX ±.01/.X±.3		projection			title	
D	REDRAW	JGS	12/11/90		.XXX ±.005/.XX±.13					VERT. CARD CONNECTOR	
E	ADD CODE	SR	2/13/91	angles	.XXX ±.0020/.XXX±.051		INCH/MM	product family CARD CONN.		code	
F	V11848	JGS	7/2/91		0' ±2'					213	
G	V23245	MRC	10/13/92	dr	R.SHREINER	12/11/90	size		sheet		
H	V70789	MDF	8/14/97	enr	M.HAHN	12/11/90	A		1 of 4		
J	V94468	MDF	1/7/00	chr	M.HAHN	12/11/90	scale		66951		
				appd	M.HAHN	12/11/90	4:1				
sheet index	revision sheet	J	J	J	J						
		1	2	3	4						

cage code
22526

Tous droits strictement réservés. Reproduction ou communication a des tiers interdite sous quelque forme que ce soit sans autorisation écrite du propriétaire. Propriété de c FCI. Droits de reproduction FCI.



All rights strictly reserved. Reproduction or issue to third parties in any form whatever is not permitted without written authority from the proprietor. Property of FCI. Copyright FCI.

PRODUCT NUMBER
SEE TABLE

MARKING CODE	
66951-0XX	STANDARD MARKING PER NOTE 3
66951-8XX	SPECIAL MIL MARKING PER NOTE 5

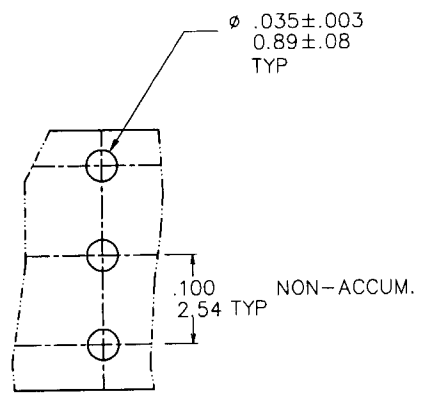


FIG.1
SCALE 5/1

NOTES:

- HOUSING MATERIAL: FILLED POLYESTER, FLAME RETARDANT PER UL 94V-0. COLOR: BLACK.
- TERMINAL MATERIAL:
BODY: BRASS
SPRING: BeCu. HEAT TREATED
BODY PLATING: 30u"/.76u Au OVER 50u" /1.27u Ni IN CONTACT AREA.
100u"/2.54u TIN-LEAD OVER 50u" /1.27u Ni ON SOLDER TAIL.
SPRING PLATING: GOLD FLASH
- PRODUCT DASH NUMBERS WITH FIRST DIGIT BEING "0" TO BE MARKED "FCI", FCI FINAL PART NUMBER AND DATE CODE.
PARTS 1 X 8 OR LESS HAVE THIS INFORMATION ON TUBE LABEL INSTEAD OF HOUSING. DASH NUMBER WITH "U" AS FOURTH DIGIT (XXXXX-XXXU) IS UNMARKED.
- APPLICATION INFORMATION.
A. RECOMMENDED MOUNTING HOLE PATTERN IS SHOWN IN FIG. #1.
B. ALL MATING PINS TO BE .025/.64 SQUARE ON TRUE CENTER OF GIVEN TERMINAL SPACINGS, WITHIN .015/.38 DIAMETER.
C. SUGGESTED MATING PIN LENGTH, .210 ± .020 / 5.33 ± .51.
- PRODUCT DASH NUMBERS WITH FIRST DIGIT BEING "8" TO BE MARKED "FCI", CAGE 22526, DESC. WWWW (NO. TO BE ASSIGNED) AND DATE.
PARTS 1 X 8 OR LESS HAVE THIS INFORMATION ON TUBE LABEL INSTEAD OF HOUSING.
- STAND-OFF CONFIGURATION:
BUMP OR RIB AT MANUFACTURERS' OPTION.

mat'l. code				tolerances unless otherwise specified		CUSTOMER COPY		Electronics www.fciconnect.com			
ltr	ecn no	dr	date	linear	.XX ± .01 / .X ± .3	projection		title			
J					.XXX ± .005 / .XX ± .13			VERT. CARD CONNECTOR		code	
					.XXX ± .0020 / .XXX ± .051			.100/2.54 CTR. SINGLE ROW		213	
				angles	0° ± 2'	INCH/MM		product family			
				dr	J. SHREINER 12/11/90			CARD CONN.		sheet	
				enr	M.HAHN 12/11/90			size		2 of	
				chr	M.HAHN 12/11/90	scale	1:1	A			
				appd	M.HAHN 12/11/90			66951			
sheet index	revision sheet							cage code			
								22526			

PRODUCT NO	NO. OF POS	DIM A	DIM B	DESC P/N ON -8XX SERIES ONLY
66951-Y01	UNASSIGNED			
-Y02	1X2	.100/2.54	.200/5.08	WWWWW-02
-Y03	1X3	.200/5.08	.300/7.62	WWWWW-03
-Y04	1X4	.300/7.62	.400/10.16	WWWWW-04
-Y05	1X5	.400/10.16	.500/12.70	WWWWW-05
-Y06	1X6	.500/12.70	.600/15.24	WWWWW-06
-Y07	1X7	.600/15.24	.700/17.78	WWWWW-07
-Y08	1X8	.700/17.78	.800/20.32	WWWWW-08
-Y09	1X9	.800/20.32	.900/22.86	WWWWW-09
-Y10	1X10	.900/22.86	1.000/25.40	WWWWW-10
-Y11	1X11	1.000/25.40	1.100/27.94	WWWWW-11
-Y12	1X12	1.100/27.94	1.200/30.48	WWWWW-12
-Y13	1X13	1.200/30.48	1.300/33.02	WWWWW-13
-Y14	1X14	1.300/33.02	1.400/35.56	WWWWW-14
-Y15	1X15	1.400/35.56	1.500/38.10	WWWWW-15
-Y16	1X16	1.500/38.10	1.600/40.64	WWWWW-16
-Y17	1X17	1.600/40.64	1.700/43.18	WWWWW-17
-Y18	1X18	1.700/43.18	1.800/45.72	WWWWW-18
-Y19	1X19	1.800/45.72	1.900/48.26	WWWWW-19
-Y20	1X20	1.900/48.26	2.000/50.80	WWWWW-20
-Y21	1X21	2.000/50.80	2.100/53.34	WWWWW-21
-Y22	1X22	2.100/53.34	2.200/55.88	WWWWW-22
-Y23	1X23	2.200/55.88	2.300/58.42	WWWWW-23
-Y24	1X24	2.300/58.42	2.400/60.96	WWWWW-24
66951-Y25	1X25	2.400/60.96	2.500/63.50	WWWWW-25

DBS

Tous droits strictement reserves. Reproduction ou communication a des tiers interdite sous quelque forme que ce soit sans autorisation écrite du propriétaire. Propriete de c FCI. Droits de reproduction FCI.



All rights strictly reserved. Reproduction or issue to third parties in any form whatever is not permitted without written authority from the proprietor. Property of FCI. Copyright FCI.

mat'l. code				tolerances unless otherwise specified		CUSTOMER COPY	Electronics www.fciconnect.com
ltr	ecn no	dr	date	linear	.XX ±.01/.X±.3		
J				linear	.XXX ±.005/.XX±.13	projection 	title VERT. CARD CONNECTOR .100/2.54 CTR. SINGLE ROW
				angles	.XXX ±.0020/.XXX±.051		
				angles	0° ±2°	INCH/MM 	product family CARD CONN. code 213
				dr	J. SHREINER 12/11/90		
				enrg	M.HAHN 12/11/90	scale 1:1	size dwg no A 66951 sheet 3 of
				chr	M.HAHN 12/11/90		
				appd	M.HAHN 12/11/90		
sheet index	revision sheet						

cage code 22526

PRODUCT NO	NO. OF POS	DIM A	DIM B	DESC P/N ON -8XX SERIES ONLY
66951-Y26	1X26	2.500/63.50	2.600/66.04	WWWWW-26
-Y27	1X27	2.600/66.04	2.700/68.58	WWWWW-27
-Y28	1X28	2.700/68.58	2.800/71.12	WWWWW-28
-Y29	1X29	2.800/71.12	2.900/73.66	WWWWW-29
-Y30	1X30	2.900/73.66	3.000/76.20	WWWWW-30
-Y31	1X31	3.000/76.20	3.100/78.74	WWWWW-31
-Y32	1X32	3.100/78.74	3.200/81.28	WWWWW-32
-Y33	1X33	3.200/81.28	3.300/83.82	WWWWW-33
-Y34	1X34	3.300/83.82	3.400/86.36	WWWWW-34
-Y35	1X35	3.400/86.36	3.500/88.90	WWWWW-35
66951-Y36	1X36	3.500/88.90	3.600/91.44	WWWWW-36

Tous droits strictement reserves. Reproduction ou communication a des tiers interdite sous quelque forme que ce soit sans autorisation écrite du propriétaire. Propriete de c FCI. Droits de reproduction FCI.



All rights strictly reserved. Reproduction or issue to third parties in any form whatever is not permitted without written authority from the proprietor. Property of FCI. Copyright FCI.

mat'l. code				tolerances unless otherwise specified		CUSTOMER COPY	Electronics www.fciconnect.com	
ltr	ecn no	dr	date	linear	.XX ±.01/.X±.3		projection INCH/MM scale 1:1	title VERT. CARD CONNECTOR .100/2.54 CTR. SINGLE ROW
J				angles	.XXX ±.005/.XX±.13 .xxxx ±.0020/.xxx±.051 0° ±2'	product family CARD CONN. code 213 size dwg no 66951 sheet 4 of		
sheet index				revision sheet		cage code 22526		4

X-ON Electronics

Largest Supplier of Electrical and Electronic Components

Click to view similar products for [Headers & Wire Housings](#) category:

Click to view products by [Amphenol](#) manufacturer:

Other Similar products are found below :

[892-18-020-10-001101](#) [58102-G61-06LF](#) [582553-1](#) [0009485154](#) [009176003701906](#) [0050291907](#) [LY20-4P-DT1-P1E-BR](#) [02.125.8002.8](#)
[609-3404](#) [61062-3](#) [622-0430](#) [622-3653LF](#) [63453-116](#) [636-1030](#) [636-1427](#) [636-3427](#) [636-4007](#) [641938-9](#) [641991-4](#) [644827-2](#) [65817-010LF](#)
[65817-015LF](#) [65863-015LF](#) [66207-023LF](#) [67095-007LF](#) [67601157](#) [68648-049](#) [70.362.1628.0](#) [70-4210](#) [70-4226B](#) [70-4853B](#) [707-5020](#) [707-](#)
[5028](#) [71.350.2428.0](#) [71918-208LF](#) [71961-016LF](#) [733-134](#) [733-162](#) [754199-000](#) [760-3052](#) [787-8014-00](#) [79531-3000](#) [FCN-360C032-B](#) [FCN-](#)
[367T-T012/H](#) [FCN-723D010/2](#) [80.063.4001.1](#) [800-90-001-10-001000](#) [800-90-010-10-002000](#) [801-43-002-10-013000](#) [801-43-006-10-002000](#)