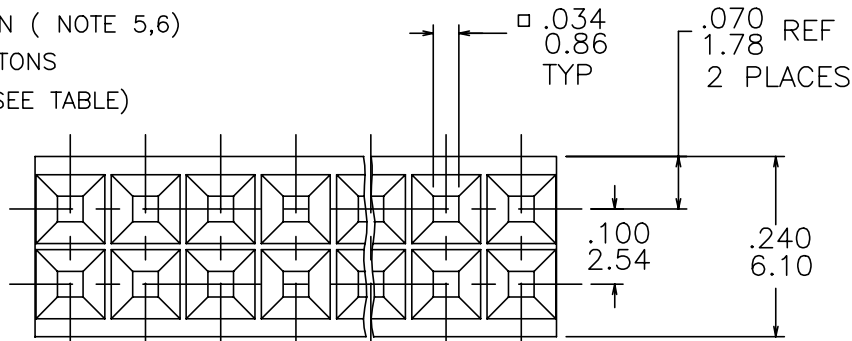


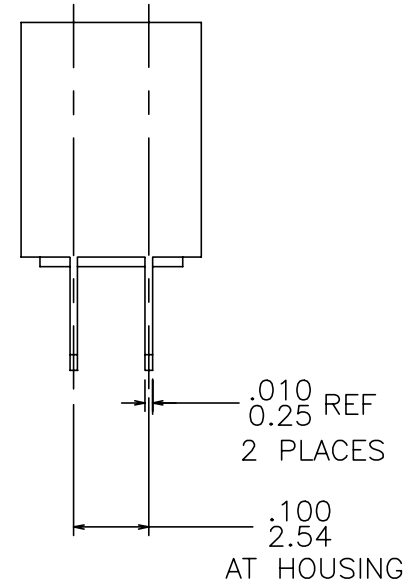
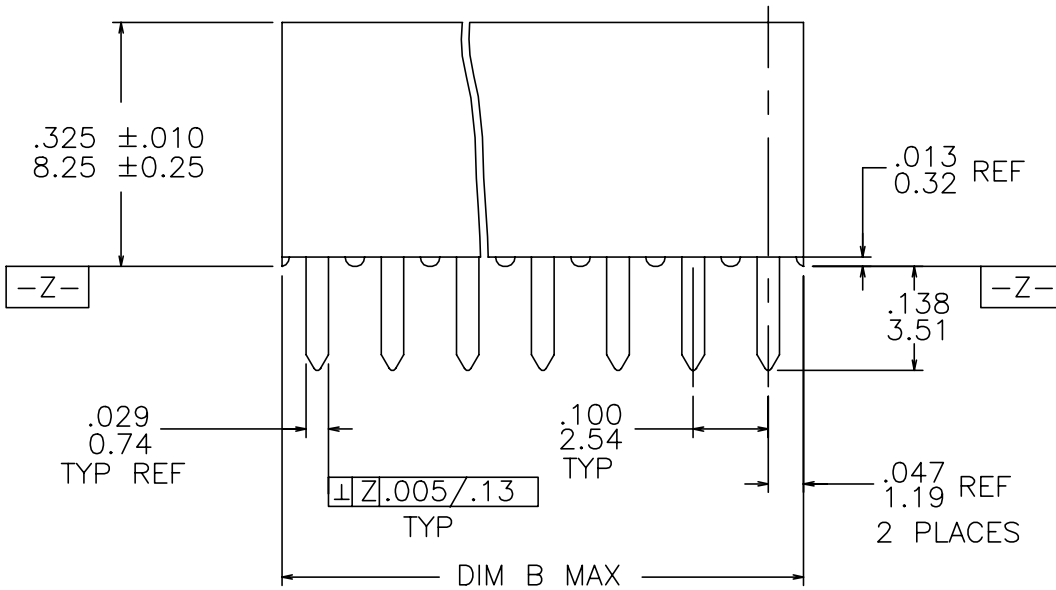
66953-XXXLF

- LEAD FREE OPTION ( NOTE 5,6)
- NUMBER OF POSITIONS
- MARKING CODE (SEE TABLE)
- BASE NUMBER



.100 ±.004  
2.54 ±0.10  
NON-ACCUMULATIVE

DIM A ±.004  
±0.10



mat'l. code		surface		tolerance		projection		product family	
		ISD 1302 ✓		ISD 406 ISD 1101				VCC	
l	tr	ec	n	nd	r	date	tolerances unless otherwise specified		title
R	ELX-N-1478	ZK				5/17/13	angles	linea	VERT. CARD CONNECTOR
									D/R .100/2.54 CC
K	V70788	LSS				6/12/97	0°±2'		sheet of 3
L	V80354	EPK			dr	3/6/98			size
M	V94468	MDF			engr	1/11/00			A3
N	M05-0124	MHT			chr	6/06/05			
P	M07-0143	ERE			appd	03/03/07			
sheet	revision	R	R	R					
index	sheet	1	2	3					



FCI  
FCIconnect.com

Copyright FCI

PRODUCT NO.	MARKING CODE	PLATING CODE
66953-0XX	STANDARD MARKING PER NOTE 3	BODY PLATING: 30u"/0.76um Au OVER 50u"/1.27um Ni ON CONTACT AREA. 100u"/2.54um Sn (NOTE 8) OVER 50u"/1.27um Ni ON SOLDER TAIL. SPRING PLATING: GOLD FLASH.
66953-8XX	<del>SPECIAL MIL MARKING PER NOTE 5</del>	
66953-1XX	STANDARD MARKING PER NOTE 3	BODY PLATING: 30u"/0.76um Au OVER 50u"/1.27um Ni ON CONTACT AREA. GOLD FLASH OVER 50u"/1.27um Ni ON SOLDER TAIL. SPRING PLATING: GOLD FLASH.

OBS

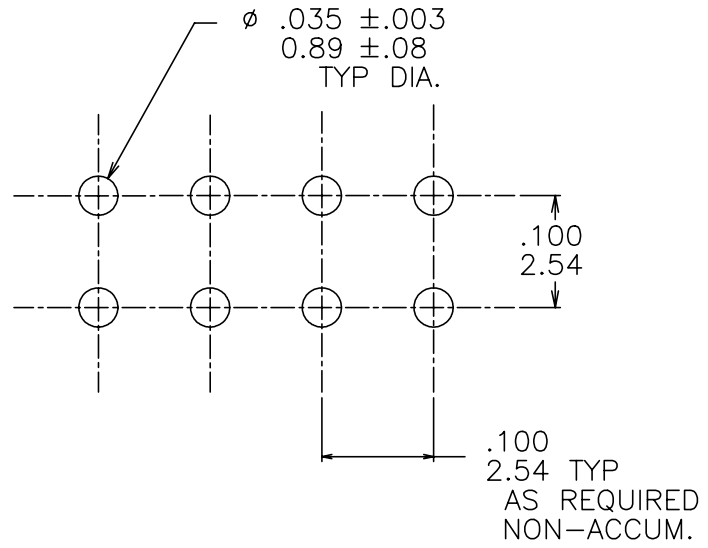


FIG. 1  
SCALE 6:1

NOTES.

- HOUSING MATERIAL: FILLED POLYESTER,  
FLAME RETARDANT PER UL 94V-0.  
COLOR: BLACK.
- TERMINAL MATERIAL:  
BODY: COPPER ALLOY  
SPRING: COPPER ALLOY
- MARK FCI PART NUMBER AND DATE CODE LEGIBLE ON TUBE LABEL.
- APPLICATION INFORMATION.  
A. RECOMMENDED MOUNTING HOLE PATTERN IS SHOWN IN FIG. 1  
B. ALL MATING PINS TO BE .025/.64 SQUARE ON TRUE CENTER OF GIVEN  
TERMINAL SPACINGS, WITHIN .015/.38 DIAMETER.  
C. SUGGESTED MATING PIN LENGTH, .210 ±.020/5.33 ±.51.
- ADD "LF" SUFFIX AT THE END OF PART NUMBER FOR LEAD FREE OPTION.
- THIS PRODUCT MEETS EUROPEAN UNION DIRECTIVES AND OTHER  
COUNTRY REGULATION AS DESCRIBED IN GS-22-008.
- THE HOUSING WILL WITHSTAND EXPOSURE TO 260°C PEAK TEMPERATURE  
FOR 15 SECONDS IN A WAVE SOLDER APPLICATION WITH A 1.5mm  
MINIMUM THICK CIRCUIT BOARD. SEE APPLICATION NOTES/PROCEDURES  
IF THEY ARE AVAILABLE.
- "THIS PRODUCT HAS 100% TIN PLATING IN THE INTERFACE AND  
HAS NOT BEEN TESTED FOR WHISKER GROWTH IN ALL INTERCONNECT  
ENVIRONMENTS."

mat'l. code		surface ISD 1302 ✓		tolerance ISD 406 ISD 1101		projection ① ↯		product family VCC	
ltr ecn nldr date		tolerances unless otherwise specified		INCH/MM		title VERT. CARD CONNECTOR D/R .100/2.54 CC		dwg no 66953	
P		angles 0°±2'		linea .XX±.01/.X±.3 .XXX±.0.005/.XX±.13 .XXX±.0020/.XXX±.051		scale 1:1		sheet 2 of 3 size A3	
		dr M. FETROW 6/26/89		engr M. HAHN 6/26/89		chr M. HAHN 6/26/89		type Product Customer Drawing	
		appd M. HAHN 6/26/89							
sheet index		revision sheet							

FCI  
FCIconnect.com

Copyright FCI

PRODUCT NO.	NO OF POSITIONS	DIM A	DIM B	DESC PART NUMBER ON -8XX SERIES ONLY
66953-Y01	U N A S S I G N E D			
-Y02	2 X 2	.100/2.54	.200/5.08	----- WWWWWW-02 -----
-Y03	2 X 3	.200/5.08	.300/7.62	----- WWWWWW-03 -----
-Y04	2 X 4	.300/7.62	.400/10.16	----- WWWWWW-04 -----
-Y05	2 X 5	.400/10.16	.500/12.70	----- WWWWWW-05 -----
-Y06	2 X 6	.500/12.70	.600/15.24	----- WWWWWW-06 -----
-Y07	2 X 7	.600/15.24	.700/17.78	----- WWWWWW-07 -----
-Y08	2 X 8	.700/17.78	.800/20.32	----- WWWWWW-08 -----
-Y09	2 X 9	.800/20.32	.900/22.86	----- WWWWWW-09 -----
-Y10	2 X 10	.900/22.86	1.000/25.40	----- WWWWWW-10 -----
-Y11	2 X 11	1.000/25.40	1.100/27.94	----- WWWWWW-11 -----
-Y12	2 X 12	1.100/27.94	1.200/30.48	----- WWWWWW-12 -----
-Y13	2 X 13	1.200/30.48	1.300/33.02	----- WWWWWW-13 -----
-Y14	2 X 14	1.300/33.02	1.400/35.56	----- WWWWWW-14 -----
-Y15	2 X 15	1.400/35.56	1.500/38.10	----- WWWWWW-15 -----
-Y16	2 X 16	1.500/38.10	1.600/40.64	----- WWWWWW-16 -----
-Y17	2 X 17	1.600/40.64	1.700/43.18	----- WWWWWW-17 -----
-Y18	2 X 18	1.700/43.18	1.800/45.72	----- WWWWWW-18 -----
-Y19	2 X 19	1.800/45.72	1.900/48.26	----- WWWWWW-19 -----
-Y20	2 X 20	1.900/48.26	2.000/50.80	----- WWWWWW-20 -----
-Y21	2 X 21	2.000/50.80	2.100/53.34	----- WWWWWW-21 -----
-Y22	2 X 22	2.100/53.34	2.200/55.88	----- WWWWWW-22 -----
-Y23	2 X 23	2.200/55.88	2.300/58.42	----- WWWWWW-23 -----
-Y24	2 X 24	2.300/58.42	2.400/60.96	----- WWWWWW-24 -----
-Y25	2 X 25	2.400/60.96	2.500/63.50	----- WWWWWW-25 -----
-Y26	2 X 26	2.500/63.50	2.600/66.04	----- WWWWWW-26 -----
-Y27	2 X 27	2.600/66.04	2.700/68.58	----- WWWWWW-27 -----
-Y28	2 X 28	2.700/68.58	2.800/71.12	----- WWWWWW-28 -----
-Y29	2 X 29	2.800/71.12	2.900/73.66	----- WWWWWW-29 -----
-Y30	2 X 30	2.900/73.66	3.000/76.20	----- WWWWWW-30 -----
-Y31	2 X 31	3.000/76.20	3.100/78.74	----- WWWWWW-31 -----
-Y32	2 X 32	3.100/78.74	3.200/81.28	----- WWWWWW-32 -----
-Y33	2 X 33	3.200/81.28	3.300/83.82	----- WWWWWW-33 -----
-Y34	2 X 34	3.300/83.82	3.400/86.36	----- WWWWWW-34 -----
-Y35	2 X 35	3.400/86.36	3.500/88.90	----- WWWWWW-35 -----
66953-Y36	2 X 36	3.500/88.90	3.600/91.44	----- WWWWWW-36 -----

OBS

LF PRODUCT NO.	NO OF POSITIONS	DIM A	DIM B	DESC PART NUMBER ON -8XX SERIES ONLY
66953-Y01LF	U N A S S I G N E D			
-Y03LF	2 X 3	.200/5.08	.300/7.62	----- WWWWWW-03 -----
-Y04LF	2 X 4	.300/7.62	.400/10.16	----- WWWWWW-04 -----
-Y05LF	2 X 5	.400/10.16	.500/12.70	----- WWWWWW-05 -----
-Y06LF	2 X 6	.500/12.70	.600/15.24	----- WWWWWW-06 -----
-Y07LF	2 X 7	.600/15.24	.700/17.78	----- WWWWWW-07 -----
-Y08LF	2 X 8	.700/17.78	.800/20.32	----- WWWWWW-08 -----
-Y09LF	2 X 9	.800/20.32	.900/22.86	----- WWWWWW-09 -----
-Y10LF	2 X 10	.900/22.86	1.000/25.40	----- WWWWWW-10 -----
-Y11LF	2 X 11	1.000/25.40	1.100/27.94	----- WWWWWW-11 -----
-Y12LF	2 X 12	1.100/27.94	1.200/30.48	----- WWWWWW-12 -----
-Y13LF	2 X 13	1.200/30.48	1.300/33.02	----- WWWWWW-13 -----
-Y14LF	2 X 14	1.300/33.02	1.400/35.56	----- WWWWWW-14 -----
-Y15LF	2 X 15	1.400/35.56	1.500/38.10	----- WWWWWW-15 -----
-Y16LF	2 X 16	1.500/38.10	1.600/40.64	----- WWWWWW-16 -----
-Y17LF	2 X 17	1.600/40.64	1.700/43.18	----- WWWWWW-17 -----
-Y18LF	2 X 18	1.700/43.18	1.800/45.72	----- WWWWWW-18 -----
-Y19LF	2 X 19	1.800/45.72	1.900/48.26	----- WWWWWW-19 -----
-Y20LF	2 X 20	1.900/48.26	2.000/50.80	----- WWWWWW-20 -----
-Y21LF	2 X 21	2.000/50.80	2.100/53.34	----- WWWWWW-21 -----
-Y22LF	2 X 22	2.100/53.34	2.200/55.88	----- WWWWWW-22 -----
-Y23LF	2 X 23	2.200/55.88	2.300/58.42	----- WWWWWW-23 -----
-Y24LF	2 X 24	2.300/58.42	2.400/60.96	----- WWWWWW-24 -----
-Y25LF	2 X 25	2.400/60.96	2.500/63.50	----- WWWWWW-25 -----
-Y26LF	2 X 26	2.500/63.50	2.600/66.04	----- WWWWWW-26 -----
-Y27LF	2 X 27	2.600/66.04	2.700/68.58	----- WWWWWW-27 -----
-Y28LF	2 X 28	2.700/68.58	2.800/71.12	----- WWWWWW-28 -----
-Y29LF	2 X 29	2.800/71.12	2.900/73.66	----- WWWWWW-29 -----
-Y30LF	2 X 30	2.900/73.66	3.000/76.20	----- WWWWWW-30 -----
-Y31LF	2 X 31	3.000/76.20	3.100/78.74	----- WWWWWW-31 -----
-Y32LF	2 X 32	3.100/78.74	3.200/81.28	----- WWWWWW-32 -----
-Y33LF	2 X 33	3.200/81.28	3.300/83.82	----- WWWWWW-33 -----
-Y34LF	2 X 34	3.300/83.82	3.400/86.36	----- WWWWWW-34 -----
-Y35LF	2 X 35	3.400/86.36	3.500/88.90	----- WWWWWW-35 -----
66953-Y36LF	2 X 36	3.500/88.90	3.600/91.44	----- WWWWWW-36 -----



FCIconnect.com

Copyright FCI

mat'l. code	surface ISO 1302 ✓	tolerance ISO 406 ISO 1101	projection 	product family VCC
ltr ecn nopr date	tolerances unless otherwise specified			title VERT. CARD CONNECTOR D/R .100/2.54 CC
R	angles 0°±2'	linea XX±.01/XX±.3 XXX±.0.005/XXX±.13 XXXX±.0020/XXXX.051	INCH/MM	dwg no 66953
	dr M. FETROW 6/26/89		scale 1:1	sheet 5 of 3 size A3
	enr M. HAHN 6/26/89			type Product Customer Drawing
	chr M. HAHN 6/26/89			
	app M. HAHN 6/26/89			
sheet index	revision sheet			

## X-ON Electronics

Largest Supplier of Electrical and Electronic Components

*Click to view similar products for [Headers & Wire Housings](#) category:*

*Click to view products by [Amphenol](#) manufacturer:*

Other Similar products are found below :

[892-18-020-10-001101](#) [58102-G61-06LF](#) [582553-1](#) [0009485154](#) [009176003701906](#) [0050291907](#) [LY20-4P-DT1-P1E-BR](#) [02.125.8002.8](#)  
[609-3404](#) [61062-3](#) [622-0430](#) [622-3653LF](#) [63453-116](#) [636-1030](#) [636-1427](#) [636-3427](#) [636-4007](#) [641938-9](#) [641991-4](#) [644827-2](#) [65817-010LF](#)  
[65817-015LF](#) [65863-015LF](#) [66207-023LF](#) [67095-007LF](#) [67601157](#) [68648-049](#) [70.362.1628.0](#) [70-4210](#) [70-4226B](#) [70-4853B](#) [707-5020](#) [707-5028](#) [71.350.2428.0](#) [71918-208LF](#) [71961-016LF](#) [733-134](#) [733-162](#) [754199-000](#) [760-3052](#) [787-8014-00](#) [79531-3000](#) [FCN-360C032-B](#) [FCN-367T-T012/H](#) [FCN-723D010/2](#) [80.063.4001.1](#) [800-90-001-10-001000](#) [800-90-010-10-002000](#) [801-43-002-10-013000](#) [801-43-006-10-002000](#)