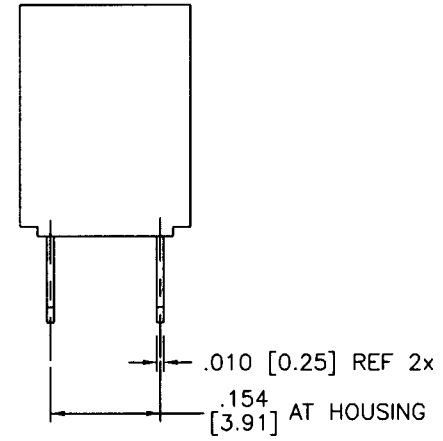
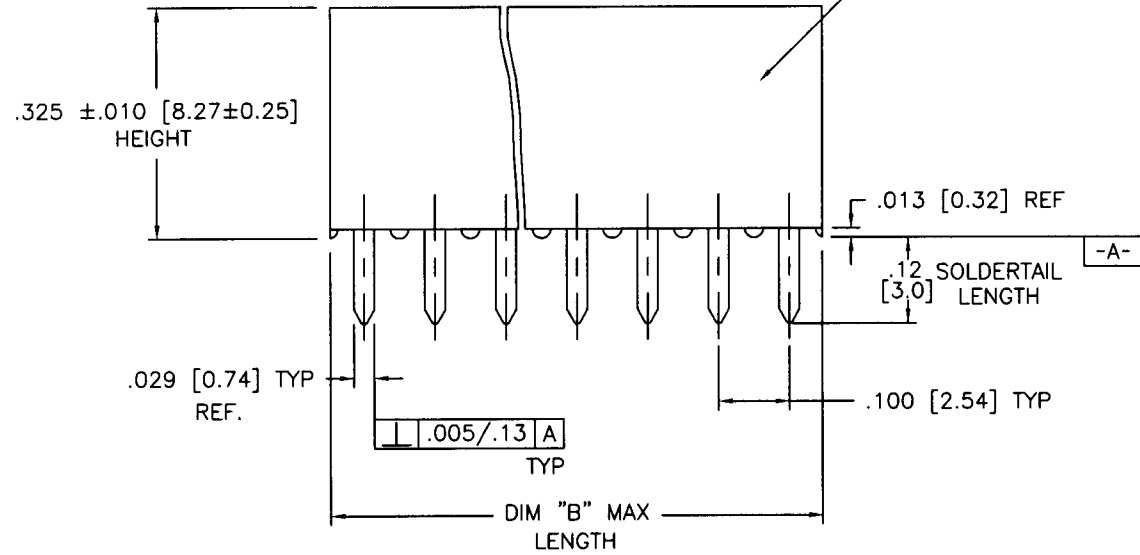
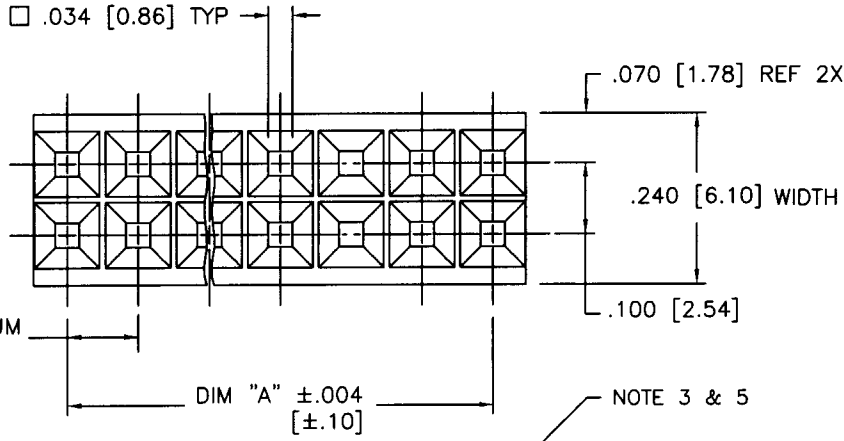


Tous droits strictement reserves. Reproduction ou communication a des tiers interdite sous quelque forme que ce soit sans autorisation ecrite du propriétaire. Propriete de © BERG ELECTRONICS. Droits de reproduction BERG ELECTRONICS INC.

All rights strictly reserved. Reproduction or issue to third parties in any form whatever is not permitted without written authority from the proprietor. Property of © BERG ELECTRONICS Copyright BERG ELECTRONICS INC.

PRODUCT NUMBER  
SEE TABLE



mat'l. code NOTE 1 & 2				tolerances unless otherwise specified		CUSTOMER COPY	<b>BERG</b> ELECTRONICS	
ltr	ecn no	dr	date	linear	.XX ±.01/.3	projection ⊕	title	
D	REDRAWN	JM	1/2/91		.XXX ±.005/.13		VERTICAL CARD CONNECTOR	
E	ADD MARKING	SR	2/18/91	angles	.XXX ±.0020/.051	INCH/MM	.154/3.91 CTR. DOUBLE ROW	
F	V23244	MRC	10/01/92		0° ±2°		product family CARD CONN.	
G	V71141	MDF	8/7/97	dr	J MUSTARD	1/2/91	code	213
H	C70056	RGD	10/13/97	enr	M. HAHN	1/2/91	size	dwg no
				chr	M. HAHN	1/2/91	scale	1 of 3
				appd	M. HAHN	1/2/91	4:1	A
sheet	revision	H	H	H				
index	sheet	1	2	3				

Tous droits strictement reserves. Reproduction ou communication a des tiers interdite sous quelque forme que ce soit sans autorisation écrite du propriétaire.  
 Propriété de © BERG ELECTRONICS. Droits de reproduction BERG ELECTRONICS INC.



All rights strictly reserved. Reproduction or issue to third parties in any form whatever is not permitted without written authority from the proprietor.  
 Property of © BERG ELECTRONICS Copyright BERG ELECTRONICS INC.

PRODUCT NUMBER
SEE TABLE

MARKING CODE	
66956-0XX	STANDARD MARKING PER NOTE 3
66956-8XX	SPECIAL MIL MARKING PER NOTE 5

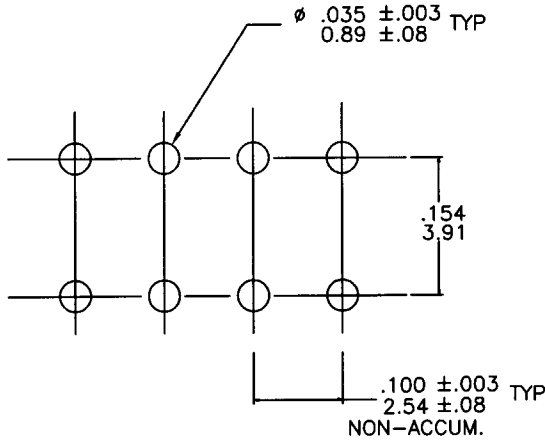


FIG. 1  
SCALE 5/1

NOTES:

- HOUSING MATERIAL: FILLED POLYESTER, FLAME RETARDANT PER UL 94V-0. COLOR: BLACK.
- TERMINAL MATERIAL:  
 BODY: BRASS .010/.25 THICK.  
 SPRING: BeCu. HEAT TREATED  
 BODY PLATING: 30u"/.76u Au OVER 50u"/1.27 Ni IN CONTACT AREA.  
 100u"/2.54u TIN-LEAD OVER 50u" /1.27 Ni ON SOLDER TAIL  
 SPRING PLATING: GOLD FLASH
- PRODUCT DASH NUMBERS WITH FIRST DIGIT BEING "0" TO BE MARKED "BERG", BERG FINAL PART NUMBER AND DATE CODE WITH .060/1.52 HIGH LETTERS. PARTS 2 X 8 OR LESS HAVE THIS INFORMATION ON TUBE LABEL INSTEAD OF HOUSING. DASH NUMBER WITH "U" AS FOURTH DIGIT (XXXXX-XXXX) IS UNMARKED.
- APPLICATION INFORMATION.  
 A. RECOMMENDED MOUNTING HOLE PATTERN IS SHOWN IN FIG. #1.  
 B. ALL MATING PINS TO BE .025/.64 SQUARE ON TRUE CENTER OF GIVEN TERMINAL SPACINGS, WITHIN .015/.38 DIAMETER.  
 C. SUGGESTED MATING PIN LENGTH, .210 ±.020/5.33 ±.51.
- PRODUCT DASH NUMBERS WITH FIRST DIGIT BEING "8" TO BE MARKED "BERG", CAGE 22526, DESC. WWWW (NO. TO BE ASSIGNED) AND DATE. PARTS 2 X 8 OR LESS HAVE THIS INFORMATION ON TUBE LABEL INSTEAD OF HOUSING.

mat'l. code				tolerances unless otherwise specified		CUSTOMER COPY		<b>BERG ELECTRONICS</b>			
ltr	ecn no	dr	date	linear	.XX ±.01/.3	projection		title			
H					.XXX ±.005.13			VERTICAL CARD CONNECTOR			
					.XXXX ±.0020/.051			.154/3.91 CTR. DOUBLE ROW			
				angles	0' ±2'	INCH/MM		product family CARD CONN.			
		dr	J. MUSTARD	1/2/91	size			code			
		engr	M. HAHN	1/2/91	dwg no			213			
		chr	M. HAHN	1/2/91	scale			sheet			
		appd	M. HAHN	1/2/91	1:1			2 of			
sheet index	revision sheet							cage code			
								22526			

Tous droits strictement reserves. Reproduction ou communication a des tiers interdite sous quelque forme que ce soit sans autorisation écrite du propriétaire.  
 Propriete de ©BERG ELECTRONICS. Droits de reproduction BERG ELECTRONICS INC.



All rights strictly reserved. Reproduction or issue to third parties in any form whatever is not permitted without written authority from the proprietor.  
 Property of ©BERG ELECTRONICS Copyright BERG ELECTRONICS INC.

PRODUCT NO	NO. OF POS.	DIM A	DIM B	DESC PART NO. ON -8XX SERIES ONLY
66956-Y01		UNASSIGNED		
-Y02	2X2	.100/2.54	.200/5.08	WWWWW-02
-Y03	2X3	.200/5.08	.300/7.62	WWWWW-03
-Y04	2X4	.300/7.62	.400/10.16	WWWWW-04
-Y05	2X5	.400/10.16	.500/12.70	WWWWW-05
-Y06	2X6	.500/12.70	.600/15.24	WWWWW-06
-Y07	2X7	.600/15.24	.700/17.78	WWWWW-07
-Y08	2X8	.700/17.78	.800/20.32	WWWWW-08
-Y09	2X9	.800/20.32	.900/22.86	WWWWW-09
-Y10	2X10	.900/22.86	1.000/25.40	WWWWW-10
-Y11	2X11	1.000/25.40	1.100/27.94	WWWWW-11
-Y12	2X12	1.100/27.94	1.200/30.48	WWWWW-12
-Y13	2X13	1.200/30.48	1.300/33.02	WWWWW-13
-Y14	2X14	1.300/33.02	1.400/35.56	WWWWW-14
-Y15	2X15	1.400/35.56	1.500/38.10	WWWWW-15
-Y16	2X16	1.500/38.10	1.600/40.64	WWWWW-16
-Y17	2X17	1.600/40.64	1.700/43.18	WWWWW-17
-Y18	2X18	1.700/43.18	1.800/45.72	WWWWW-18
-Y19	2X19	1.800/45.72	1.900/48.26	WWWWW-19
-Y20	2X20	1.900/48.26	2.000/50.80	WWWWW-20
-Y21	2X21	2.000/50.80	2.100/53.34	WWWWW-21
-Y22	2X22	2.100/53.34	2.200/55.88	WWWWW-22
-Y23	2X23	2.200/55.88	2.300/58.42	WWWWW-23
-Y24	2X24	2.300/58.42	2.400/60.96	WWWWW-24
-Y25	2X25	2.400/60.96	2.500/63.50	WWWWW-25
-Y26	2X26	2.500/63.50	2.600/66.04	WWWWW-26
-Y27	2X27	2.600/66.04	2.700/68.58	WWWWW-27
-Y28	2X28	2.700/68.58	2.800/71.12	WWWWW-28
-Y29	2X29	2.800/71.12	2.900/73.66	WWWWW-29
-Y30	2X30	2.900/73.66	3.000/76.20	WWWWW-30
-Y31	2X31	3.000/76.20	3.100/78.74	WWWWW-31
-Y32	2X32	3.100/78.74	3.200/81.28	WWWWW-32
-Y33	2X33	3.200/81.28	3.300/83.82	WWWWW-33
-Y34	2X34	3.300/83.82	3.400/86.36	WWWWW-34
-Y35	2X35	3.400/86.36	3.500/88.90	WWWWW-35
66956-Y36	2X36	3.500/88.90	3.600/91.44	WWWWW-36

OBSOLETE

mat'l. code				tolerances unless otherwise specified		CUSTOMER COPY		<b>BERG ELECTRONICS</b>		
ltr	ecn no	dr	date	linear	.XX ±.01/3		projection	title		
H					.XXX ±.005.13				VERTICAL CARD CONNECTOR	
				angles	.XXX ±.0020/.051		INCH/MM		.154/3.91 CTR. DOUBLE ROW	
					0' ±2'			scale	product family CARD CONN.	
				dr	J. MUSTARD	1/2/91	8:1		A	code
				enr	M. HAHN	1/2/91		213		
				chr	M. HAHN	1/2/91		size		dwg no
				appd	M. HAHN	1/2/91		66956		sheet
sheet index	revision sheet								3 of	

## X-ON Electronics

Largest Supplier of Electrical and Electronic Components

*Click to view similar products for [Headers & Wire Housings](#) category:*

*Click to view products by [Amphenol](#) manufacturer:*

Other Similar products are found below :

[892-18-020-10-001101](#) [58102-G61-06LF](#) [582553-1](#) [0009485154](#) [009176003701906](#) [0050291907](#) [LY20-4P-DT1-P1E-BR](#) [02.125.8002.8](#)  
[609-3404](#) [61062-3](#) [622-0430](#) [622-3653LF](#) [63453-116](#) [636-1030](#) [636-1427](#) [636-3427](#) [636-4007](#) [641938-9](#) [641991-4](#) [644827-2](#) [65817-010LF](#)  
[65817-015LF](#) [65863-015LF](#) [66207-023LF](#) [67095-007LF](#) [67601157](#) [68648-049](#) [70.362.1628.0](#) [70-4210](#) [70-4226B](#) [70-4853B](#) [707-5020](#) [707-5028](#) [71.350.2428.0](#) [71918-208LF](#) [71961-016LF](#) [733-134](#) [733-162](#) [754199-000](#) [760-3052](#) [787-8014-00](#) [79531-3000](#) [FCN-360C032-B](#) [FCN-367T-T012/H](#) [FCN-723D010/2](#) [80.063.4001.1](#) [800-90-001-10-001000](#) [800-90-010-10-002000](#) [801-43-002-10-013000](#) [801-43-006-10-002000](#)