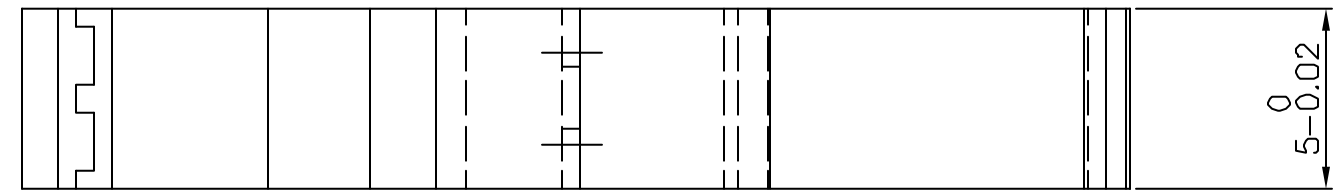
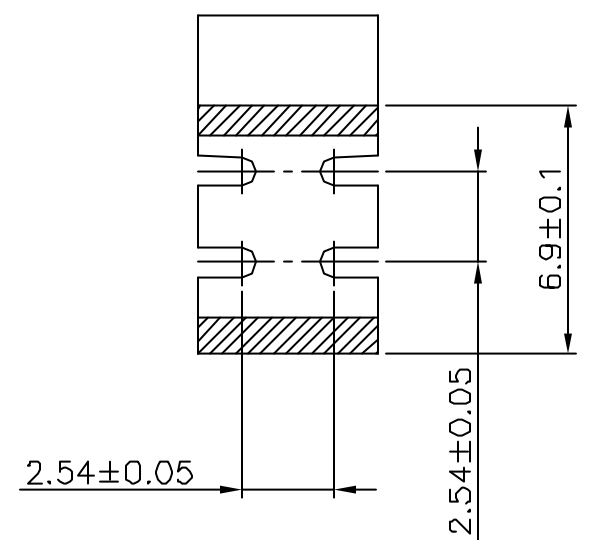
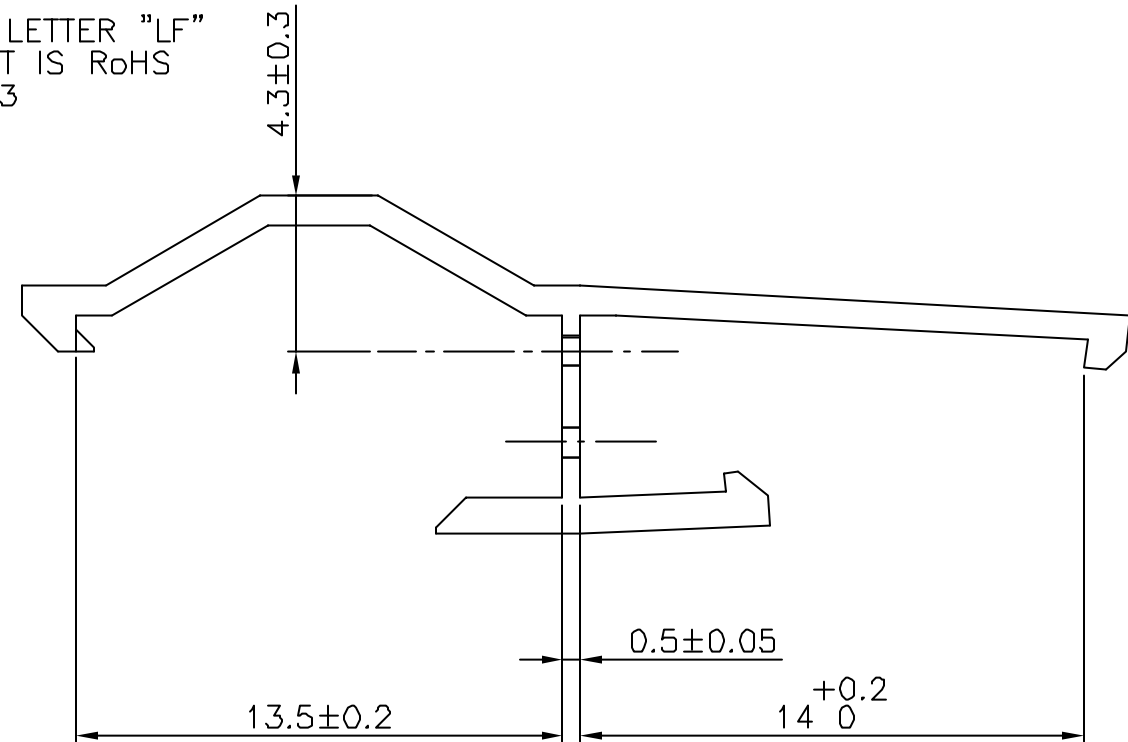


FCI CONFIDENTIAL

This document is the property of and embodies CONFIDENTIAL and PROPRIETARY information of FCI. No part of the information shown on this document may be used in any way or disclosed to others without the written consent of FCI. Copyright FCI.

PRODUCT NUMBER
67009-001(LF)

WHEN NEEDED, SUFFIX LETTER "LF" INDICATES THE PRODUCT IS RoHS COMPLIANT, SEE NOTE 3



NOTES:

- 1- MATERIAL LATCH: NORYL UL 94-V1
- 2- THIS LATCH IS INTENDED FOR USSE IN COMBINATION WITH DOUBLE ROW MINI LATCH HOUSING P/N 65043
- 3- RoHS COMPATIBLE PRODUCT SPECIFICATIONS

- a - LABELING:
 - MEETS PACKAGING SPECS AS PER GS-14-920
- b - LEGAL STATEMENT: SEE GS-22-008

THE PRODUCT IS NOT INTENDED TO BE EXPOSED TO A MANUFACTURING SOLDER PROCESS.

mat'l. code		surface		tolerance		projection		product family	
SEE NOTE		ISO 1302		ISO 406		1:1		BERGCON	
ltr	ecn no	dr	date	tolerances unless otherwise specified		mm		title	
E	F05-028	DLE	05.11.07	angles	linear	mm		LATCH	
F	F06-021	DLE	06.07.11			scale 5:1		FLYING CONNECTION D.R.	
G	F08-019	PNZ	08.06.19			FCI		dwg no	
				dr	D LEGRAND	05.08.17		sheet 1 of 1	
				enr	P NIZZI	05.08.17		size	
				chr	D LE	05.08.17		A3	
				appd	P NZ	05.08.17		type	
sheet index		revision sheet						CUSTOMER Drawing	

X-ON Electronics

Largest Supplier of Electrical and Electronic Components

Click to view similar products for [Headers & Wire Housings](#) category:

Click to view products by [Amphenol](#) manufacturer:

Other Similar products are found below :

[892-18-020-10-001101](#) [58102-G61-06LF](#) [582553-1](#) [0009485154](#) [009176003701906](#) [0050291907](#) [LY20-4P-DT1-P1E-BR](#) [02.125.8002.8](#)
[609-3404](#) [61062-3](#) [622-0430](#) [622-3653LF](#) [63453-116](#) [636-1030](#) [636-1427](#) [636-3427](#) [636-4007](#) [641938-9](#) [641991-4](#) [644827-2](#) [65817-010LF](#)
[65817-015LF](#) [65863-015LF](#) [66207-023LF](#) [67095-007LF](#) [67601157](#) [68648-049](#) [70.362.1628.0](#) [70-4210](#) [70-4226B](#) [70-4853B](#) [707-5020](#) [707-5028](#) [71.350.2428.0](#) [71918-208LF](#) [71961-016LF](#) [733-134](#) [733-162](#) [754199-000](#) [760-3052](#) [787-8014-00](#) [79531-3000](#) [FCN-360C032-B](#) [FCN-367T-T012/H](#) [FCN-723D010/2](#) [80.063.4001.1](#) [800-90-001-10-001000](#) [800-90-010-10-002000](#) [801-43-002-10-013000](#) [801-43-006-10-002000](#)