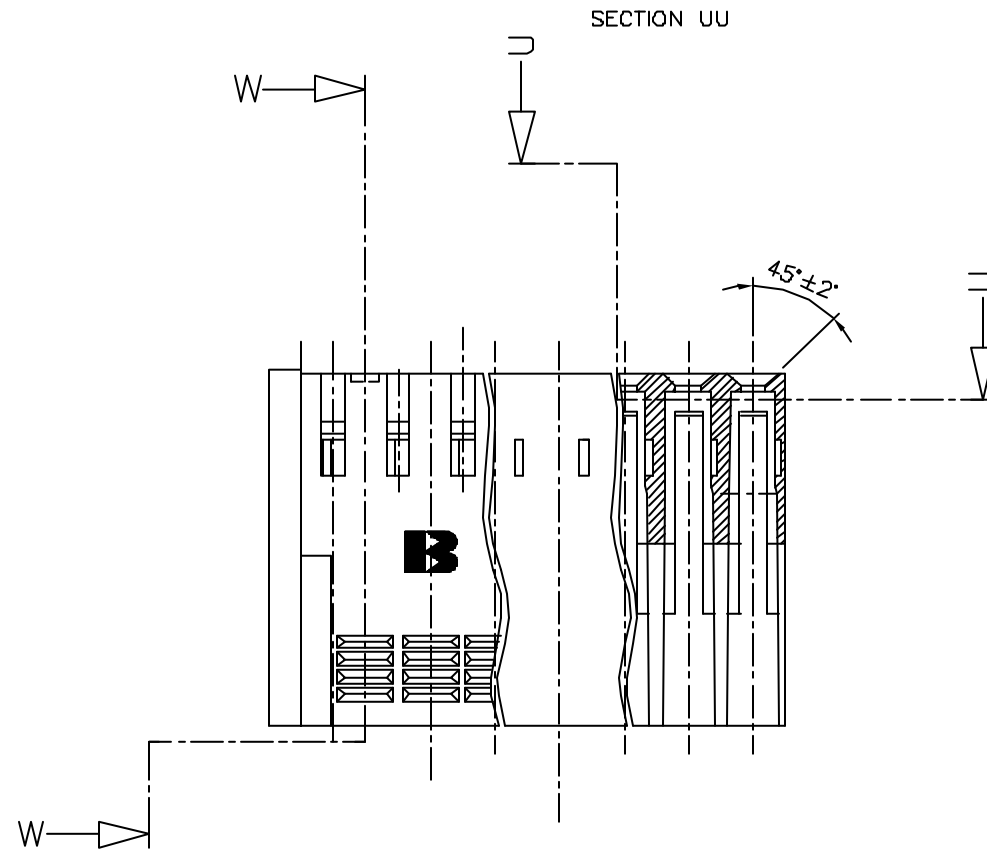
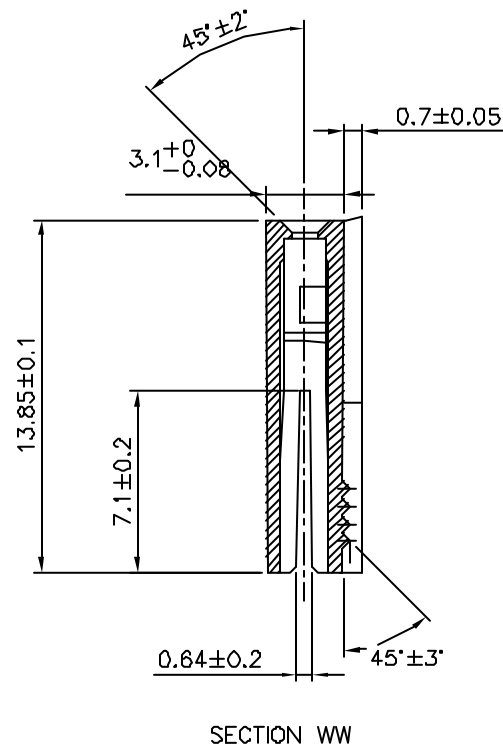
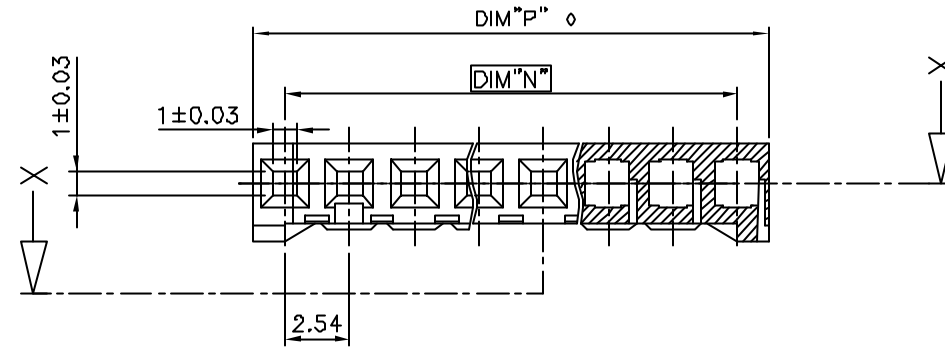


PRODUCT NUMBER
67013-0XXLF

WHEN NEEDED, SUFFIX LETTER "LF"
INDICATES THE PRODUCT IS RoHS
COMPLIANT, SEE NOTE 5



SECTION XX

NOTES:

- 1 - MOLDING MATERIAL: PBT 30% GLASS FILLED, COLOUR BLUE, FLAME RETARDANT, ACCORDING TO UL 94, CATEGORY V0.
 - 2 - OVER DASH NUMBER -006 ONLY THE FIRST AND LAST THREE POSITIONS MUST HAVE GROOVES ON TWO SIDES
 - 3 - THIS HOUSING IS INTENDED FOR USE WITH BERG TERMINAL # 76785-YXX AND BERG HEADERS # 76384-YXX OR 76382-YXX
 - 4 - FOR BERG DUFLEX CLINCHER APPLICATION DATA SEE SPECIFICATION TA-333 SHEET 213-10F1
 - 5 - RoHS COMPATIBLE PRODUCT SPECIFICATIONS
- a - LABELING:
- MEETS PACKAGING SPECS AS PER GS-14-920
- b - LEGAL STATEMENT: SEE GS-22-008
- THE PRODUCT IS NOT INTENDED TO BE EXPOSED TO A MANUFACTURING SOLDER PROCESS.

CUSTOMER COPY FOR REFERENCE ONLY												
mat'l. code	SEE NOTE 1			surface	tolerance	projection	product family					
lrr	ecn no	dr	date	ISO 1302	ISO 406	ISO 101	VCC SR					
K	FDB-0226	DLE	06.07.07	tolerances unless otherwise specified			title					
				angles	linear		DUFLEX HOUSING SINGLE ROW					
E	F0049B	PNZ	00.09.13				mm	sheet 1 of 2				
F	FD4-0347	DLE	04.12.10	dr	D LEGRAND	08.07.13	scale 5/1	dwg no				
G	FD5-0168	DLE	00.04.07	engr	JM PHAMVAN	08.07.13	67013					
H	FD5-0236	DLE	05.08.24	chr	P NIZZI	08.07.13	A2					
J	FD5-0286	DLE	05.11.07	appd	JMP	08.07.13	type					
sheet index	revision	K	J	CUSTOMER Drawing								
sheet	sheet	1	2									

NUMBER OF POS.	NUMBER OF POS.	DIM"N"	DIM"P"
67013-002 LF	1 x 02	2.54	5.00
67013-003 LF	1 x 03	5.08	7.54
67013-004 LF	1 x 04	7.62	10.08
67013-005 LF	1 x 05	10.16	12.62
67013-006 LF	1 x 06	12.70	15.16
67013-007 LF	1 x 07	15.24	17.70
67013-008 LF	1 x 08	17.78	20.24
67013-009 LF	1 x 09	20.32	22.78
67013-010 LF	1 x 10	22.86	25.32
67013-011 LF	1 x 11	25.40	27.86
67013-012 LF	1 x 12	27.94	30.40
67013-013 LF	1 x 13	30.48	32.94
67013-014 LF	1 x 14	33.02	35.48
67013-015 LF	1 x 15	35.56	38.02
67013-016 LF	1 x 16	38.10	40.56
67013-017 LF	1 x 17	40.64	43.10
67013-018 LF	1 x 18	43.18	45.63
67013-019 LF	1 x 19	45.72	48.18
67013-020 LF	1 x 20	48.26	50.72

NUMBER OF POS.	NUMBER OF POS.	DIM"N"	DIM"P"
67013-021 LF	1 x 21	50.80	53.26
67013-022 LF	1 x 22	53.34	55.80
67013-023 LF	1 x 23	55.88	58.34
67013-024 LF	1 x 24	58.42	60.88
67013-025 LF	1 x 25	60.96	63.42
67013-026 LF	1 x 26	63.50	65.96
67013-027 LF	1 x 27	66.04	68.50
67013-028 LF	1 x 28	68.58	71.04
67013-029 LF	1 x 29	71.12	73.58
67013-030 LF	1 x 29	73.66	76.12
67013-031 LF	1 x 31	76.20	78.66
67013-032 LF	1 x 32	78.74	81.20
67013-033 LF	1 x 33	81.28	83.74
67013-034 LF	1 x 34	83.82	86.28
67013-035 LF	1 x 35	86.36	88.02
67013-036 LF	1 x 36	88.90	91.36

CUSTOMER COPY FOR REFERENCE ONLY									
mat'l. code			surface ISO 1302 <input checked="" type="checkbox"/>		tolerance ISO 406 ISO 101		projection 	product family VCC SR	
Ltr	ecn no	dr	date	tolerances unless otherwise specified		mm		title	
C	F40060	PNZ	94.02.07	angles	.0±.x	mm		DUFLEX	
D	F80386	DLE	98.03.13	Linear	.00±.0x	mm		HOUSING SINGLE ROW	
E	F00499	PNZ	00.09.13	0'±x'	.000±.00x	scale N/A		dwg no	
F	F04-0347	DLE	04.12.10	dr	D LEGRAND	98.07.13		sheet 2 of 2	
G	F05-0169	DLE	05.04.07	engr	JM.PHAMVAN	98.07.13		size	
H	F05-0236	DLE	05.08.24	chr	P.NIZZI	98.03.13		67013	
J	F06-0226	DLE	06.07.07	appd	JM.P	98.03.13		A3	
sheet index		revision sheet						type	
								CUSTOMER Drawing	



Copyright FCI

X-ON Electronics

Largest Supplier of Electrical and Electronic Components

Click to view similar products for [FFC & FPC Connectors](#) category:

Click to view products by [Amphenol](#) manufacturer:

Other Similar products are found below :

[HFW11R-1STE1H1LF](#) [FH29B-100S-0.2SHW\(99\)](#) [FA5S008HP1](#) [FH29B-120S-0.2SHW\(99\)](#) [FH29B-80S-0.2SHW\(99\)](#) [FHS-16](#) [FPH-2022G](#)
[52610-1075](#) [52610-1275](#) [52610-1934](#) [XF3M\(1\)-1415-1B-R100](#) [501864-3091-TR225](#) [0525594033](#) [086210010340800](#) [086222026001800](#)
[52271-2869-CUT-TAPE](#) [62674-201121DLF](#) [62684-36210E9ALF](#) [52610-1675](#) [52746-1671-TR250](#) [10051922-2810EHLF](#) [6-520415-9](#)
[BD021-09A-A1-0350-0200-0550-LD](#) [SFV6R-1STE9HLF](#) [XF3M-2915-1B-R100](#) [1658549-1](#) [62674-221121ALF](#) [46214008010800](#)
[046298003000883](#) [151660622](#) [842-816-2630-035](#) [AYF530665TA](#) [AYF351525](#) [046296011930846+](#) [AYF352325A](#) [046254020000800+](#)
[FH19C-13S-0.5SH\(99\)](#) [FH39J-51S-0.3SHW\(99\)](#) [AYF355125A](#) [AYF530365TA](#) [FH29B-44S-0.2SHW\(99\)](#) [SFW5R-2STAE9LF](#) [AYF351125A](#)
[AYF350725A](#) [62684-502100AHLF](#) [FH39-61S-0.3SHW\(99\)](#) [AYF414035A](#) [10064555-172520HLF](#) [AYF212335A](#) [504754-2500](#)