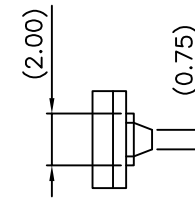
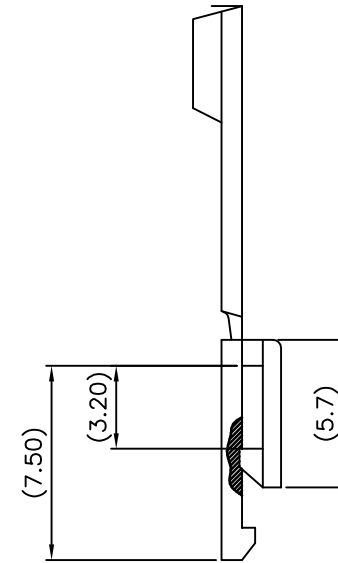
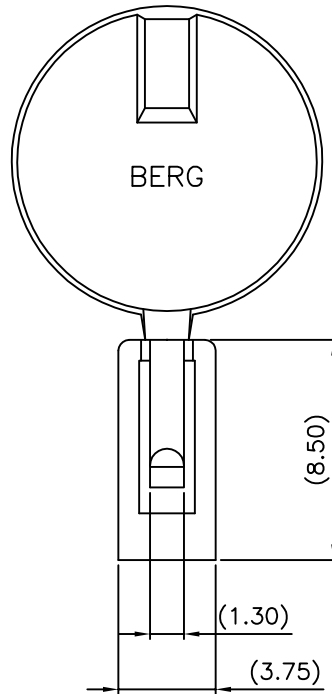


PRODUCT NUMBER  
67020-001LF

WHEN REQUIRED, ADD SUFFIX LETTER "LF"  
INDICATES THE PRODUCT IS RoHS  
COMPATIBLE, SEE NOTE 2



NOTES :

1. MATERIAL : 30% GLASS FIBER POLYESTER  
FLAME RETARDANT PER UL 94-V0  
COLOUR : GREY (RAL 7038)
2. RoHs COMPATIBLE PRODUCT
  - a - LABELLING:
    - MEETS PACKAGING SPECS AS PER GS-14-920
  - b - LEGAL STATEMENT : SEE GS-22-008
  - c - THE PRODUCT IS NOT INTENDED TO BE EXPOSED  
TO MANUFACTURING SOLDER PROCESS
  - d - PRODUCT MEETS WITH EU 2002/EG/95

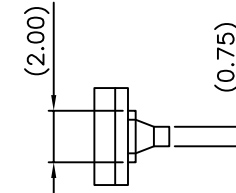
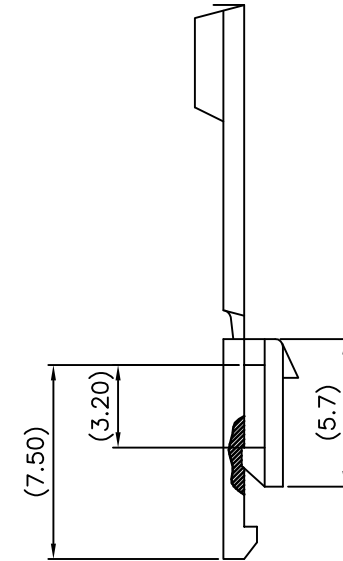
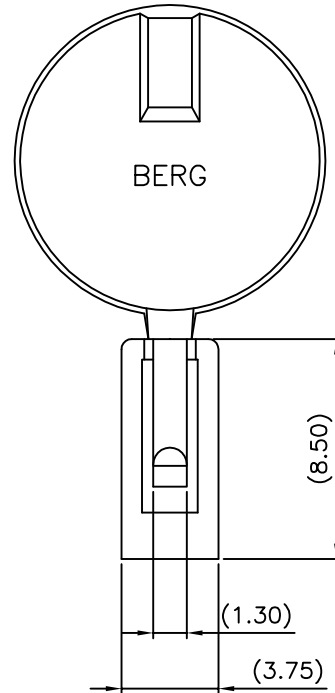


Copyright FCJ

mat'l. code		surface		tolerance		projection		product family	
SEE NOTE 1		ISO 1302		ISO 406 ISO 1101					
ltr	ecn no	dr	date	tolerances unless otherwise specified		mm		title	
A	7310	LNA	86.12.18	angles	.X ±0.30			POLARIZING KEY	
B	F05-0257	LMU	05.10.11	linear	.XX ±0.15	scale 5:1		dwg no	
C	F06-0270	LMU	06.09.12		.XXX ±0.05			sheet 1 of 2	
				dr	L.MULIN	05.10.07		size	
				engr	J.COMPAGNON	05.10.07		67020	
				chr				A3	
				appo	J.M.C	05.10.07		type	
								CUSTOMER Drawing	
sheet	revision	C	C						
index	sheet	1	2						

PRODUCT NUMBER  
67020-002LF

WHEN REQUIRED, ADD SUFFIX LETTER "LF"  
INDICATES THE PRODUCT IS RoHS  
COMPATIBLE, SEE NOTE 2



NOTES :

1. MATERIAL : 30% GLASS FIBER POLYESTER  
FLAME RETARDANT PER UL 94-V0  
COLOUR : GREY (RAL 7038)
2. RoHs COMPATIBLE PRODUCT
  - a - LABELLING:  
- MEETS PACKAGING SPECS AS PER GS-14-920
  - b - LEGAL STATEMENT : SEE GS-22-008
  - c - THE PRODUCT IS NOT INTENDED TO BE EXPOSED  
TO MANUFACTURING SOLDER PROCESS
  - d - PRODUCT MEETS WITH EU 2002/EG/95

mat'l. code		surface		tolerance		projection		product family		
SEE NOTE 1		ISO 1302		ISO 406 ISO 1101						
ltr	ecn no	dr	date	tolerances unless otherwise specified				title		
A	7310	LNA	86.12.18	angles	.X ±0.30	mm		POLARIZING KEY		
B	F05-0257	LMU	05.10.11	linear	.XX ±0.15					
C	F06-0270	LMU	06.09.12		.XXX ±0.05	scale 5:1				
				dr	L.MULIN 05.10.07			dwg no		
				engr	J.COMPAGNON 05.10.07			sheet 2 of		size
				chr				67020		A3
				appo	J.M.C 05.10.07			type CUSTOMER Drawing		
sheet	revision									
index	sheet									

## X-ON Electronics

Largest Supplier of Electrical and Electronic Components

*Click to view similar products for [Headers & Wire Housings](#) category:*

*Click to view products by [Amphenol](#) manufacturer:*

Other Similar products are found below :

[892-18-020-10-001101](#) [58102-G61-06LF](#) [582553-1](#) [0009485154](#) [009176003701906](#) [0050291907](#) [LY20-4P-DT1-P1E-BR](#) [02.125.8002.8](#)  
[609-3404](#) [61062-3](#) [622-0430](#) [622-3653LF](#) [63453-116](#) [636-1030](#) [636-1427](#) [636-3427](#) [636-4007](#) [641938-9](#) [641991-4](#) [644827-2](#) [65817-010LF](#)  
[65817-015LF](#) [65863-015LF](#) [66207-023LF](#) [67095-007LF](#) [67601157](#) [68648-049](#) [70.362.1628.0](#) [70-4210](#) [70-4226B](#) [70-4853B](#) [707-5020](#) [707-](#)  
[5028](#) [71.350.2428.0](#) [71918-208LF](#) [71961-016LF](#) [733-134](#) [733-162](#) [754199-000](#) [760-3052](#) [787-8014-00](#) [79531-3000](#) [FCN-360C032-B](#) [FCN-](#)  
[367T-T012/H](#) [FCN-723D010/2](#) [80.063.4001.1](#) [800-90-001-10-001000](#) [800-90-010-10-002000](#) [801-43-002-10-013000](#) [801-43-006-10-002000](#)