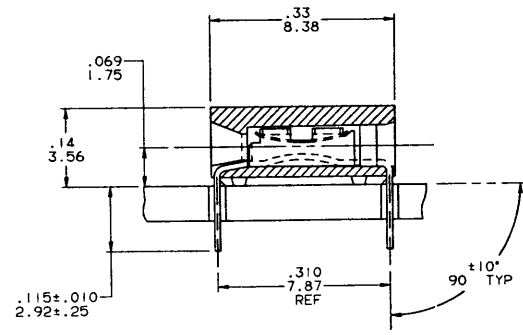
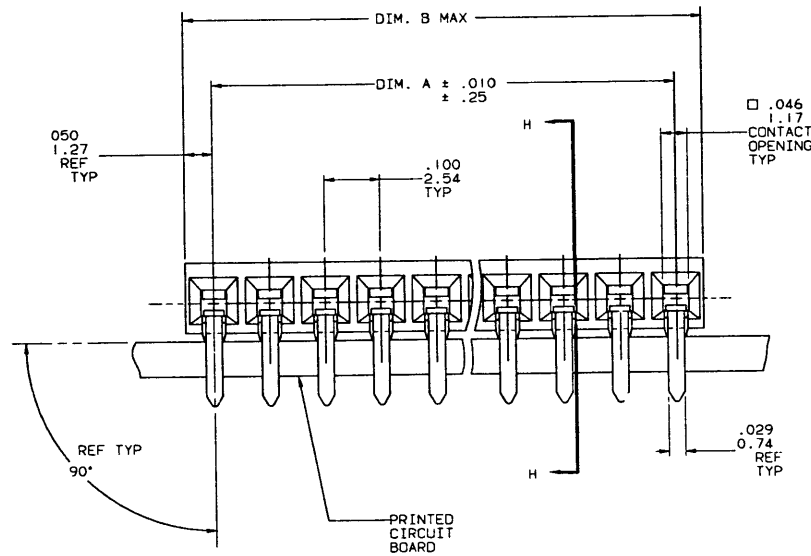
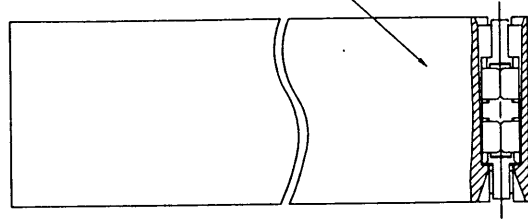


PRODUCT NO
SEE TABLE

REVISIONS			
REV	DESCRIPTION	BY	DATE
C	REDRAW ADD 1X1 UNASSIGNED. REDUCED FROM 4 TO 3 PAGES.	JGS	5/7/90

SEE NOTE ③



AT BOTTOM OF HOUSING
SECTION H-H

CONTROLLED DOCUMENT



SHEET INDEX		ISSUE		C C C		DO NOT SCALE DRAWING		TOLERANCE UNLESS OTHERWISE NOTED		INCH/MM		MATERIAL		DR		DATE		CUSTOMER COPY		CODE IDENT	
SH NO		1 2 3						.001/.01/.013				SEE NOTES		J. SHREINER		5/7/90		22526			
MODEL		XXXX						.000+.005/.001+.13						CHK		M. HAHN					
FINISH								.000+.0020/.000+.051						ENGR		M. HAHN					
ANGLES		0° ± 2°												APPR		M. HAHN					
TABULATION SHEETS REQUIRED		YES NO																SCALE		SIZE DWG NO	
																		10/1 D		67232	
																				SHEET 1 OF 3	

NOTE: This print is the property of and embodies proprietary designs of THE DUPONT COMPANY. No part of the design shown on this print may be used in any way without the written consent of DUPONT ELECTRONICS, New Cumberland, PA.

PRODUCT NO	NO. OF POS.	DIM. A ±.020/.50	DIM. B MAX.	UNASSIGNED
67232-001	1X1	.000/.00	.100/2.54	
67232-002	1X2	.100/2.54	.200/5.08	
-003	1X3	.200/5.08	.300/7.62	
-004	1X4	.300/7.62	.400/10.16	
-005	1X5	.400/10.16	.500/12.70	
-006	1X6	.500/12.70	.600/15.24	
-007	1X7	.600/15.24	.700/17.78	
-008	1X8	.700/17.78	.800/20.32	
-009	1X9	.800/20.32	.900/22.86	
-010	1X10	.900/22.86	1.000/25.40	
-011	1X11	1.000/25.40	1.100/27.94	
-012	1X12	1.100/27.94	1.200/30.48	
-013	1X13	1.200/30.48	1.300/33.02	
-014	1X14	1.300/33.02	1.400/35.56	
-015	1X15	1.400/35.56	1.500/38.10	
-016	1X16	1.500/38.10	1.600/40.64	
-017	1X17	1.600/40.64	1.700/43.18	
-018	1X18	1.700/43.18	1.800/45.72	
-019	1X19	1.800/45.72	1.900/48.26	
-020	1X20	1.900/48.26	2.000/50.80	
-021	1X21	2.000/50.80	2.100/53.34	
-022	1X22	2.100/53.34	2.200/55.88	
-023	1X23	2.200/55.88	2.300/58.42	
-024	1X24	2.300/58.42	2.400/60.96	
-025	1X25	2.400/60.96	2.500/63.50	
-026	1X26	2.500/63.50	2.600/66.04	
-027	1X27	2.600/66.04	2.700/68.58	
-028	1X28	2.700/68.58	2.800/71.12	
-029	1X29	2.800/71.12	2.900/73.66	
-030	1X30	2.900/73.66	3.000/76.20	
-031	1X31	3.000/76.20	3.100/78.74	
-032	1X32	3.100/78.74	3.200/81.28	
-033	1X33	3.200/81.28	3.300/83.82	
-034	1X34	3.300/83.82	3.400/86.36	
-035	1X35	3.400/86.36	3.500/88.90	
-036	1X36	3.500/88.90	3.600/91.44	
-037	1X37	3.600/91.44	3.700/93.98	
-038	1X38	3.700/93.98	3.800/96.52	
-039	1X39	3.800/96.52	3.900/99.06	
-040	1X40	3.900/99.06	4.000/101.60	
67232-041	1X41	4.000/101.60	4.100/104.14	

PRODUCT NO.	NO. OF POS.	DIM. A ±.020/.50	DIM. B MAX.
67232-051	1X51	5.000/127.00	5.100/129.54
-052	1X52	5.100/129.54	5.200/132.08
-053	1X53	5.200/132.08	5.300/134.62
-054	1X54	5.300/134.62	5.400/137.16
-055	1X55	5.400/137.16	5.500/139.70
-056	1X56	5.500/139.70	5.600/142.24
-057	1X57	5.600/142.24	5.700/144.78
-058	1X58	5.700/144.78	5.800/147.32
-059	1X59	5.800/147.32	5.900/149.86
-060	1X60	5.900/149.86	6.000/152.40
-061	1X61	6.000/152.40	6.100/154.94
-062	1X62	6.100/154.94	6.200/157.48
-063	1X63	6.200/157.48	6.300/160.02
-064	1X64	6.300/160.02	6.400/162.56
67232-065	1X65	6.400/162.56	6.500/165.10

REVISIONS			
REV	DESCRIPTION	BY	DATE
C			

CONTROLLED DOCUMENT

SHEET INDEX		ISSUE	DO NOT SCALE DRAWING		TOLERANCE UNLESS OTHERWISE NOTED		MATERIAL		OR J. SHREINER		CUSTOMER COPY	
XXXX			THIRD ANGLE PROJECTION		INCH/MM		FINISH		CHK M. HAHN		CODE IDENT 22526	
TABULATION SHEETS REQUIRED		YES/NO	INCH/MM		LINEAR		ENGR M. HAHN		APPD M. HAHN		DATE 5/7/90	
					.001, .01, .01, .3						TITLE	
					.0001, .0005, .001, .01						1X.100 CARD CONNECTOR	
					.0001, .0020, .0001, .001						SCALE SIZE DWG NO	
					ANGLES 0° ±2°						XXX D 67232 CAD SHEET 2	

NOTE: This print is the property of and contains proprietary designs of THE DUPONT COMPANY. No part of the design shown on this print may be used in any way without the written consent of DUPONT ELECTRONICS, New Comerford, PA.

8 7 6 5 4 3 2 1

REVISIONS			
REV	DESCRIPTION	BY	DATE
C			

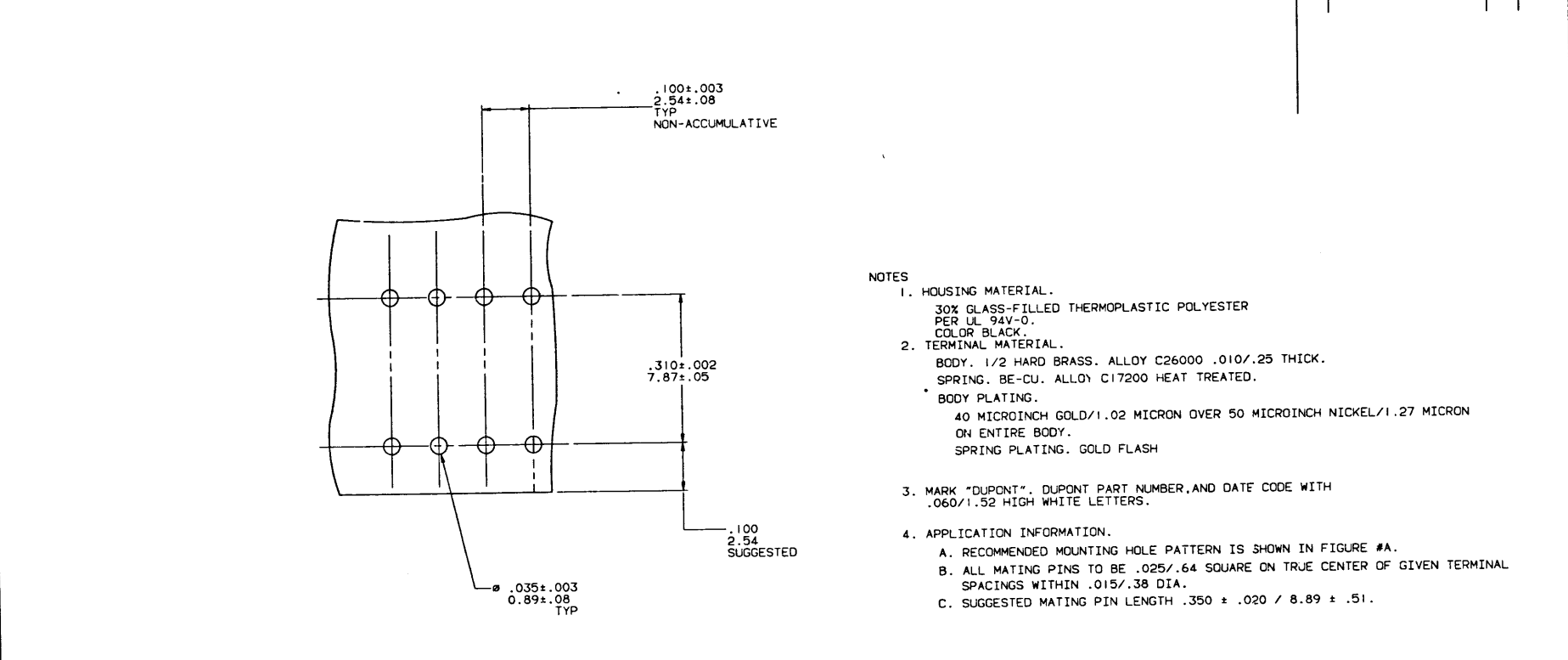


FIGURE A
SCALE 10/1

NOTES

- HOUSING MATERIAL.
30% GLASS-FILLED THERMOPLASTIC POLYESTER
PER UL 94V-0.
COLOR BLACK.
- TERMINAL MATERIAL.
BODY. 1/2 HARD BRASS. ALLOY C26000 .010/.25 THICK.
SPRING. BE-CU. ALLOY C17200 HEAT TREATED.
BODY PLATING.
40 MICROINCH GOLD/1.02 MICRON OVER 50 MICROINCH NICKEL/1.27 MICRON
ON ENTIRE BODY.
SPRING PLATING. GOLD FLASH
- MARK "DUPONT", DUPONT PART NUMBER, AND DATE CODE WITH
.060/1.52 HIGH WHITE LETTERS.
- APPLICATION INFORMATION.
A. RECOMMENDED MOUNTING HOLE PATTERN IS SHOWN IN FIGURE #A.
B. ALL MATING PINS TO BE .025/.64 SQUARE ON TRUE CENTER OF GIVEN TERMINAL
SPACINGS WITHIN .015/.38 DIA.
C. SUGGESTED MATING PIN LENGTH .350 ± .020 / 8.89 ± .51.

**CONTROLLED
DOCUMENT**

SHEET INDEX		ISSUE		MODEL		DO NOT SCALE DRAWING		TOLERANCE UNLESS OTHERWISE NOTED		INCH/MM		MATERIAL		DR		CUSTOMER COPY		DuPont Electronics		DUPONT	
SH NO		NO		XXXX		THIRD ANGLE PROJECTION		LINEAR		.001/.005/.001/.13		XXXXXX		J. SHREINER		22526		DuPont Electronics		DUPONT	
TABULATION SHEETS REQUIRED		YES/NO						ANGLES		0° ± 2°		XXXXXX		M. HAHN		5/7/90		TITLE		1X .100 CARD CONNECTOR	
														M. HAHN		5/7/90		SCALE		SIZE DWG NO	
														M. HAHN		5/7/90		XXX		D 67232	
														M. HAHN		5/7/90				SHEET 3	

NOTE: This print is the property of and embodies proprietary designs of THE DUPONT COMPANY. No part of the design shown on this print may be used in any way without the written consent of DUPONT ELECTRONICS, Inc. Conshohocken, PA.

X-ON Electronics

Largest Supplier of Electrical and Electronic Components

Click to view similar products for [Headers & Wire Housings](#) category:

Click to view products by [Amphenol](#) manufacturer:

Other Similar products are found below :

[892-18-020-10-001101](#) [58102-G61-06LF](#) [582553-1](#) [0009485154](#) [009176003701906](#) [0050291907](#) [LY20-4P-DT1-P1E-BR](#) [02.125.8002.8](#)
[609-3404](#) [61062-3](#) [622-0430](#) [622-3653LF](#) [63453-116](#) [636-1030](#) [636-1427](#) [636-3427](#) [636-4007](#) [641938-9](#) [641991-4](#) [644827-2](#) [65817-010LF](#)
[65817-015LF](#) [65863-015LF](#) [66207-023LF](#) [67095-007LF](#) [67601157](#) [68648-049](#) [70.362.1628.0](#) [70-4210](#) [70-4226B](#) [70-4853B](#) [707-5020](#) [707-](#)
[5028](#) [71.350.2428.0](#) [71918-208LF](#) [71961-016LF](#) [733-134](#) [733-162](#) [754199-000](#) [760-3052](#) [787-8014-00](#) [79531-3000](#) [FCN-360C032-B](#) [FCN-](#)
[367T-T012/H](#) [FCN-723D010/2](#) [80.063.4001.1](#) [800-90-001-10-001000](#) [800-90-010-10-002000](#) [801-43-002-10-013000](#) [801-43-006-10-002000](#)