

4

3

2

1

**SPECIFICATIONS**

**ELECTRICAL**

FREQUENCY RANGE \_\_\_\_\_ DC - 65 GHz

STANDARD dB VALUES \_\_\_\_\_ SEE CHART A

ATTENUATION ACCURACY _____	DC - 26.5 GHz	26.5 - 40 GHz	40 - 60 GHz	60 - 65 GHz
3, 6 dB _____	±0.75 dB	±1.0 dB	±1.5 dB	±1.5 dB
10 dB _____	±0.75 dB	±1.25 dB	±1.5 dB	±1.75 dB
15 & 20 dB _____	±1.0 dB	±1.25 dB	±2.0 dB	±2.5 dB
30 dB _____	±1.25 dB	±1.5 dB	±2.0 dB	±5.0 dB

VSWR (MAX) _____	DC-26.5 GHz	26.5 - 40 GHz	40 - 65 GHz
	<1.35	<1.55	<1.65

INPUT POWER (AVG. MAX.) \_\_\_\_\_ 1 WATT @25°C SEE TABLE  
DERATES LINEARLY TO 10% AT +100°C from + 25°

IMPEDANCE \_\_\_\_\_ 50 OHMS

OPERATING/STORAGE TEMP. RANGE \_\_\_ -55 TO +100°C

**MATERIAL**

HOUSING: STAINLESS STEEL IAW ASTM-A484 & ASTM-A582, ALLOY 303, COND A

CONTACT: BERYLLIUM COPPER

DIELECTRIC - TEFLON

**FINISH**

HOUSING - PASSIVATED STAINLESS STEEL

CONDUCTOR - GOLD PLATED IAW MIL-PRF-39012

**MARKING**

PART LOOKS LIKE PRODUCT IMAGE ABOVE.

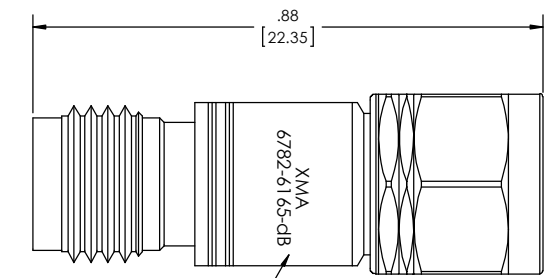
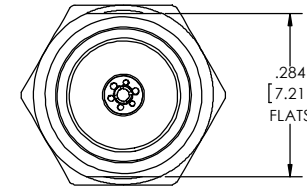
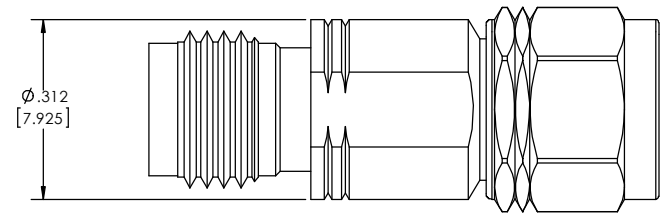
PART MARKING ORIENTATION AND FORMAT AS SHOWN (CURVED SURFACE).

dB = SEE WORK ORDER FOR TWO DIGIT dB VALUE.

MARKING TO BE AS LARGE AS POSSIBLE. .020" SHOWN.

TEXT HEIGHT IS SUGGESTED ONLY, FIT AS DIPCIED

REVISIONS				
REV	DESCRIPTION	ECO #	DATE	APPROVED
X2	REDRAWN IN SOLIDWORKS	14-ER016	7/18/14	T.KUHN



MARKING AREA SEE NOTE

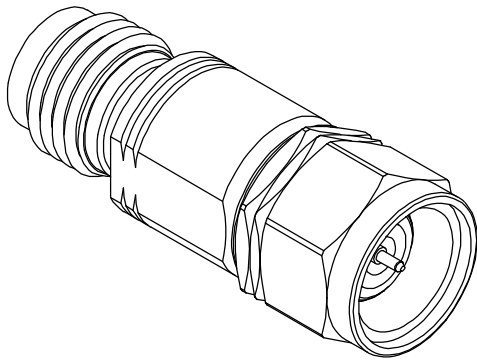


CHART A	
-dB	dB VALUE
03	3
06	6
10	10
20	20
30	30

QTY.	PART NUMBER	DESCRIPTION	ITEM NO.
X	6782-6165-dB	ATTENUATOR, 1.85mm, MALE TO FEMALE, DC-65 GHz, 1 WATT	
1	TA-6782-6165-dBU	ASSEMBLY, ATTENUATOR, 1.85mm, MALE TO FEMALE, DC-65 GHz, 1 WATT, UNMARKED	1

DRAWING PRACTICES PER ANSI Y14.5 DIMENSIONS ARE IN INCHES AND APPLY BEFORE/AFTER PROCESSING SURFACE FINISH: 63 FINISH:	UNLESS OTHERWISE SPECIFIED TOLERANCES IN: DECIMALS INCH (MM) .X" .05" [1.27] .XX" .03" [.76] .XXX" .010" [.25]	DRAWN: MCCORMICK07/16/14 DATE: 07/16/14 CHECKED: MCCORMICK07/16/14 DATE: 07/16/14 ENG APPR: T.KUHN DATE: 07/16/14
MATERIAL: NOTE: THIS DRAWING INCORPORATES THIRD ANGLE PROJECTION.	ANGLES ±0°30' REMOVE ALL BURRS/SHARP W/ BREAK / R OF .003" TO .0005" UNLESS OTHERWISE NOTED DIAS CONCENTRIC <.003 T.I.F.	THESE DRAWINGS AND SPECIFICATIONS ARE THE PROPERTY OF XMA CORP. OR OMNI SPECTRA AND SHALL NOT BE REPRODUCED, COPIED NOR USED IN WHOLE OR IN PART AS A BASIS FOR THE MANUFACTURE OR SALE OF OTHER ITEMS WITHOUT THE EXPRESS WRITTEN PERMISSION OF XMA CORP.
INTERPRET IAW ANSI Y14.5-1982	DO NOT SCALE PRINT	SCALE: C CAGE CODE: 3HT76 DRAWING NUMBER: 6782-6165-dB REV: X2

Phone: 603-222-2256 Fax: 603-222-2259  
150 Dow Street, Manchester, NH 03101

ATTENUATOR, 1.85mm, MALE TO FEMALE, DC-65 GHz, 1 WATT

TITLE

SHEET 1 OF 1

4

3

2

1

## X-ON Electronics

Largest Supplier of Electrical and Electronic Components

*Click to view similar products for [Attenuators - Interconnects](#) category:*

*Click to view products by [Amphenol](#) manufacturer:*

Other Similar products are found below :

[R414701000](#) [R411800121](#) [R413840115](#) [ATT-523F-05-SMA-02](#) [R413305000](#) [R411808121](#) [R412501124](#) [R414702000](#) [ATP8-10006KV](#)  
[R414705000](#) [R411710124](#) [R410220121](#) [CT3369A-20](#) [09AS102-K40S3](#) [R411802000](#) [ATT-263F-03-SMA-02](#) [R417320130](#) [R412508124](#)  
[R417030110](#) [ATT-523F-12-SMA-02](#) [ATT-263F-06-SMA-02](#) [ATT-0263-22-SMA-02](#) [ATT-263F-10-SMA-02](#) [ATT-523F-10-SMA-02](#)  
[R422030020](#) [R422020030](#) [R417506130](#) [ATT-0263-25-SMA-02](#) [R413810000](#) [R411810124](#) [R413803000](#) [R417330110](#) [ATT-0290-02-HEX-](#)  
[02](#) [R415603000](#) [R415620000](#) [R415606000](#) [R415610000](#) [ATT-0290-00-SMA-02](#) [AT-130V](#) [CATTEN-05R0-BNC](#) [CATTEN-04R0-BNC](#)  
[6620\\_SMA-50-1/199\\_NE](#) [6630\\_SMA-50-2/199\\_NE](#) [CATTEN-06R0-BNC](#) [ATT-0294-02-SMA-02](#) [ATT-0298-06-HEX-02](#) [6610\\_SMA-50-](#)  
[2/199\\_NE](#) [6605\\_SMA-50-1/199\\_NE](#) [6820.17.A](#) [6803.17.B](#)