

| PIN PLATING CODES: | |
|--------------------|---|
| XXXXX-1YY | 30u"/0.76u MIN (SEE NOTE 13) OVER 50u"/1.27u MIN NI |
| XXXXX-2YY | 15u"/0.38u MIN (SEE NOTE 13) OVER 50u"/1.27u MIN NI |
| XXXXX-3YY | 50u"/1.27u MIN (SEE NOTE 13) OVER 50u"/1.27u MIN NI |
| XXXXX-4YY | 100u"/2.54u MIN Sn OVER 50u"/1.27u MIN NI (SEE NOTE 14) |
| XXXXX-4YYHLF | 15u"/0.38u MIN (SEE NOTE 13) OVER 50u"/1.27u MIN NI |
| XXXXX-5YY | 15u"/0.38u MIN (SEE NOTE 13) OVER 50u"/1.27u MIN NI |
| XXXXX-6YY | 30u"/0.76u MIN (SEE NOTE 13) OVER 50u"/1.27u MIN NI |
| XXXXX-7YY | 30u"/0.76u MIN (SEE NOTE 13) OVER 50u"/1.27u MIN NI |
| XXXXX-8YY | 15u"/0.38u MIN (SEE NOTE 13) OVER 50u"/1.27u MIN NI |
| XXXXX-9YY | 15u"/0.38u MIN (SEE NOTE 13) OVER 50u"/1.27u MIN NI |
| XXXXX-0YY | 30u"/0.76u MIN (SEE NOTE 13) OVER 50u"/1.27u MIN NI |

NOTES

1. PART NUMBER OPTIONS:

PIN PLATING CODES (SEE ABOVE)

PART NUMBERS WITH AND WITHOUT "H" WILL BE SUPPLIED WITH HIGH TEMPERATURE PLASTIC

ANY NUMBER OF POSITIONS FROM 1 THRU 36. -X00H INDICATES BERGSTRIIP PRODUCT. SEE PAGE 3 FOR SPECIAL GEOMETRY OF THIS CONTINUOUS STRIP PRODUCT. AUTOMATED REELS WILL CONTAIN 36,000 PINS.

SEE SPECIFIC PART NUMBERS FOR AVAILABILITY.

PACKAGING :

NO INDICATOR IS STANDARD PACKAGING IN POLY BAGS.

EIGHT DIGIT PART NUMBERS FOLLOWED BY A "T" ARE PACKAGED IN TUBES. SEE SPECIFIC PART NUMBERS FOR AVAILABILITY.

EIGHT DIGIT PART NUMBERS FOLLOWED BY A "C" ARE PACKAGED IN TUBES WITH PICKUP CAP APPLIED. (NOT TIDLED)

BERGSTRIIP PART NUMBERS FOLLOWED BY "A" OR "B" ARE BULK PRICED. EIGHT DIGIT PART NUMBERS FOLLOWED BY A "A" ARE PACKAGED IN TAPE AND REEL WITH PICKUP CAP APPLIED.

LEAD FREE :

ADD "LF" SUFFIX AT THE END OF PART NUMBER FOR LEAD FREE BODY MATERIAL :

BERGSTRIIP: MANUFACTURER'S OPTION OF NYLON, PCT GLASS FIBER REINFORCED, OR LCP MINERAL FILLED FLAME RETARDENT PER UL-94V-0.

COLOR : BLACK

BERGSTRIIP : REDUCED WITH HIGH TEMPERATURE LCP FLAME RETARDENT PER UL-94V-0.

THEMOPLASTIC FLAME RETARDENT PER UL-94V-0.

COLOR : BLACK

PART NUMBERS WITH AND WITHOUT "H" SUFFIX WILL WITHSTAND EXPOSURE TO 260°C PEAK TEMPERATURE FOR 20 SECONDS IN WAVE SOLDER, INFRA-RED OR VAPOR PHASE SOLDER PROCESS.

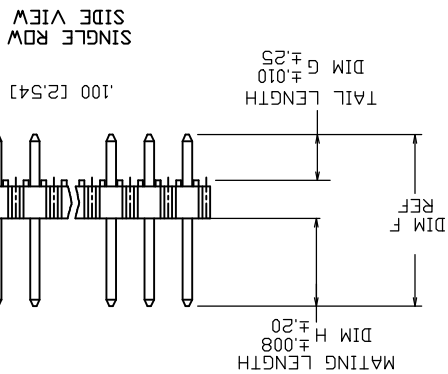
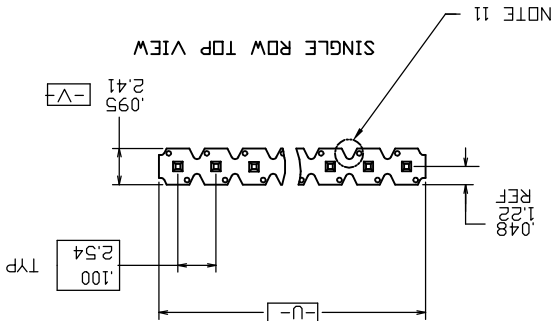
| | | | | | | | | | | | |
|--------------------|-------------|---------------------------------------|----------------|------------------------|-------|-----------------|----|------------------------|-------|--------------|--|
| www.fciconnect.com | | TOLERANCES UNLESS OTHERWISE SPECIFIED | | ISD 1302 | | ISD 406 ISD 110 | | projection | | INCH/MM | |
| Dr | T.BREWBAKER | 01/05/95 | ANGULAR | 0.3 | ±0.3 | size | A4 | Scale | 1.000 | | |
| Eng | THANNA | 01/05/95 | LINEAR | 0.15 | ±0.15 | 0.15 | | ECN | | | |
| Cmn | JMURPHY | 01/05/95 | | 0.05 | ±0.05 | 0.05 | | Spec ref | | | |
| Appr | THANNA | 01/05/95 | Product family | BERGSTRIIP | | Product family | | BERGSTRIIP | | CUSTOMER | |
| | | | title | BERGSTRIIP II HEADER | | title | | BERGSTRIIP II HEADER | | catalog no | |
| | | | part no | 100/2.54cc SR STRAIGHT | | part no | | 100/2.54cc SR STRAIGHT | | sheet 2 of 8 | |
| | | | Rev. | DC | | Rev. | | DC | | | |

- PIN MATERIAL : PHOS-BRONZE.
- MEASURED WITH PART IN RESTRAINED CONDITION.
- TWO SIDES OF PIN TIPS NOT PLATED. TYPICAL BOTH ENDS.
- 2LBS/0.9KG MIN PIN RETENTION IN EITHER DIRECTION.
- PIN CANNOT PROTRUDE PAST EDGE OF HOUSING. MUST BE 0.05±.005/±.13 FROM END OF HOUSING HOLE.
- MILITARY BERGSTRIIP HEADER P/N XXXXX-XY-MIL.
- NOT AVAILABLE.
- ±0.10/0.25 TOL APPLIES TO ALL "G" TAILS EXCEPT INDICATED PARTS ON TABLE WHERE +0.10/0.25 - .000/0.00 APPLIES.
- INDICATED PART NUMBERS ARE PRODUCED AND SOLD IN THE TAIWAN/SINGAPORE AREAS. THESE ARE NOT AVAILABLE IN BERGSTRIIP CONTINUOUS STRIP.
- NOTCH CONFIGURATION WILL VARY PER VENDOR'S DISCRETION.
- THESE PRODUCTS MEETS EUROPEAN UNION DIRECTIVES AND OTHER COUNTRY REGULATION AS DESCRIBED IN GS-22-008.
- PLATING OPTIONS:
- PERFORMANCE PLATING WILL BE EITHER GOLD OR GXT ON POST OR TAIL. OPTIONALLY (78~295u"/2~7.5u) TIN ON TAIL.
- THIS PRODUCT HAS 100% TIN PLATING IN THE INTERFACE AND HAS NOT BEEN TESTED FOR WHISKER GROWTH IN ALL INTERCONNECT ENVIRONMENTS.
- THE DAL DON'T EXCEED 34.5mm
- INCREMENTS BY 0.1mm IN LENGTHS ONLY
- FOR SPECIAL PACKAGING REQUEST PLEASE CONTACT PRODUCT MANAGER FOR AVAILABILITY
- TO DETERMINE DIMENSIONS:
- N=NUMBER OF POSITION PER ROW
EXAMPLE: 10 POS. N X .100/2.54
- 68000-406160035ALF IS SPECIAL PART NUMBER, IT IS 6PIN, MATING LENGTH IS 16mm. TAIL LENGTH IS 3.5mm. AND PACKAGE IS TAPE AND REEL AND NO CAP.

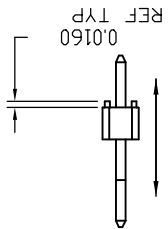


| | | | | | | | |
|--------------------|-------------|---------------------------------------|-----------------|------------|----------|----------------|----------|
| www.fciconnect.com | | TOLERANCES UNLESS OTHERWISE SPECIFIED | | projection | | INCH/MM | |
| surface | ISD 1302 | tolerance std | ISD 406 ISD 110 | size | A4 | Scale | 1.000 |
| Dr | T.BREWBAKER | 01/05/95 | ANGULAR | 0X | ±0.3 | ECN | |
| Eng | T.HANNA | 01/05/95 | LINEAR | 0XX | ±0.15 | Product family | BERGSTIK |
| Chg | J.MURPHY | 01/05/95 | ° | ±2° | 0XXX | Spec ref | |
| Appr | T.HANNA | 01/05/95 | Product family | BERGSTIK | CUSTOMER | Rev. | DC |
| title | | catalog no | | drawing no | | sheet 3 of 8 | |
| BERGSTIK II HEADER | | .100/2.54cc SR STRAIGHT | | 68000 | | | |

BERGSTRIPE™ HEADER

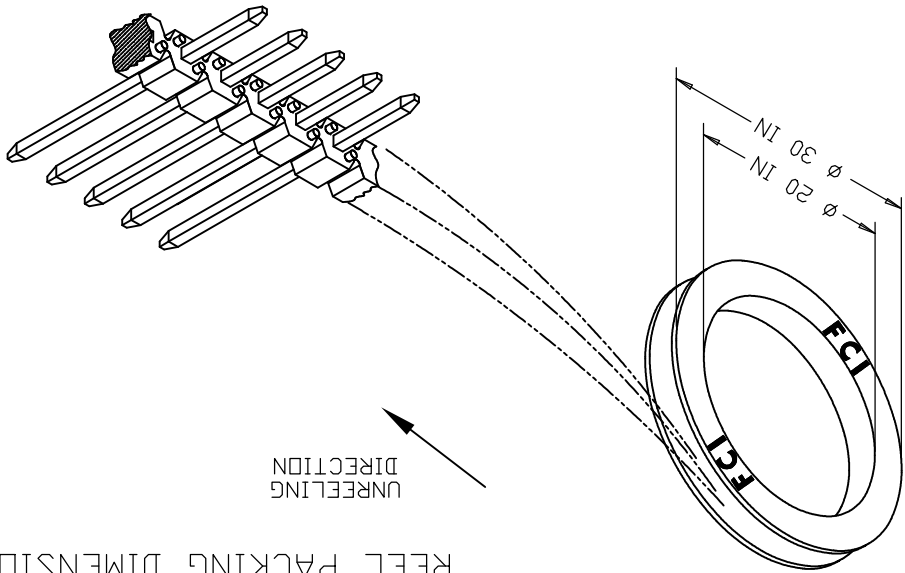


SINGLE ROW END VIEW



REEL PACKING DIMENSIONS

UNREELING DIRECTION



X-ON Electronics

Largest Supplier of Electrical and Electronic Components

Click to view similar products for [Headers & Wire Housings](#) category:

Click to view products by [Amphenol](#) manufacturer:

Other Similar products are found below :

[95000-104TRLF](#) [10135584-644402LF](#) [DF62W-EP2022PCA](#) [95000-106TRLF](#) [DF62W-2022SCA](#) [DF62W-EP2022PC](#) [2203348](#) [DF62W-2022SC](#) [1084018](#) [1029039](#) [1084017](#) [802-10-012-10-002000](#) [1112640](#) [1112639](#) [891-007-9SS-BST1T](#) [000-34000](#) [0008550134](#) [0009482033](#) [0009507031](#) [57102-F02-18ULF](#) [57102-S06-03LF](#) [57202-S52-04LF](#) [PCN6-15S-2.5E](#) [0039019024](#) [58102-G61-06LF](#) [582553-1](#) [0009485154](#) [0009508121](#) [0022285053](#) [0050291907](#) [018731A](#) [LY20-4P-DT1-P1E-BR](#) [02.125.8002.8](#) [60101931](#) [60598-1 \(Cut Strip\)](#) [M1625-3R/100](#) [61062-3](#) [61082-181009](#) [CSU011177004](#) [636-1427](#) [638009-1](#) [641938-9](#) [641991-4](#) [644168-1](#) [644827-2](#) [647662-1](#) [65039-019ELF](#) [65692-001LF](#) [65781-018](#) [65781-047](#)