

PIN PLATING CODES:	
XXXXX-1YY	30u"/0.76u MIN (SEE NOTE 13) OVER 50u"/1.27u MIN NI
XXXXX-2YY	15u"/0.38u MIN (SEE NOTE 13) OVER 50u"/1.27u MIN NI
XXXXX-3YY	50u"/1.27u MIN (SEE NOTE 13) OVER 50u"/1.27u MIN NI
XXXXX-4YY	100u"/2.54u MIN Sn OVER 50u"/1.27u MIN NI (SEE NOTE 14)
XXXXX-5YY	15u"/0.38u MIN (SEE NOTE 13) OVER 50u"/1.27u MIN NI
XXXXX-6YY	30u"/0.76u MIN (SEE NOTE 13) OVER 50u"/1.27u MIN NI
XXXXX-7YY	30u"/0.76u MIN (SEE NOTE 13) OVER 50u"/1.27u MIN NI
XXXXX-8YY	15u"/0.38u MIN (SEE NOTE 13) OVER 50u"/1.27u MIN NI
XXXXX-9YY	15u"/0.38u MIN (SEE NOTE 13) OVER 50u"/1.27u MIN NI
XXXXX-0YY	30u"/0.76u MIN (SEE NOTE 13) OVER 50u"/1.27u MIN NI

NOTES

1. PART NUMBER OPTIONS:

PIN PLATING CODES (SEE ABOVE)

PART NUMBERS WITH AND WITHOUT "H" WILL BE SUPPLIED WITH HIGH TEMPERATURE PLASTIC

ANY NUMBER OF POSITIONS FROM 1 THRU 36.

-X00H INDICATES BERGSTRIIP PRODUCT. SEE PAGE 3 FOR SPECIAL GEOMETRY OF THIS CONTINUOUS STRIP PRODUCT.

AUTOMATED REELS WILL CONTAIN 36,000 PINS.

SEE SPECIFIC PART NUMBERS FOR AVAILABILITY.

PACKAGING :

NO INDICATOR IS STANDARD PACKAGING IN POLY BAGS.

EIGHT DIGIT PART NUMBERS FOLLOWED BY A "T" ARE PACKAGED IN TUBES. SEE SPECIFIC PART NUMBERS FOR AVAILABILITY.

EIGHT DIGIT PART NUMBERS FOLLOWED BY A "C" ARE PACKAGED IN TUBES WITH PICKUP CAP APPLIED. (NOT TIDLED)

BERGSTRIIP PART NUMBERS FOLLOWED BY "A" OR "B" ARE BULK PRICED.

EIGHT DIGIT PART NUMBERS FOLLOWED BY A "A" ARE PACKAGED IN TAPE AND REEL WITH PICKUP CAP APPLIED.

LEAD FREE :

ADD "LF" SUFFIX AT THE END OF PART NUMBER FOR LEAD FREE BODY MATERIAL :

BERGSTRIIP: MANUFACTURER'S OPTION OF NYLON, PCT GLASS FIBER REINFORCED, OR LCP MINERAL FILLED FLAME RETARDENT PER UL-94V-0.

COLOR : BLACK

BERGSTRIIP : REDUCED WITH HIGH TEMPERATURE LCP FLAME RETARDENT PER UL-94V-0.

THEMOPLASTIC FLAME RETARDENT PER UL-94V-0.

COLOR : BLACK

PART NUMBERS WITH AND WITHOUT "H" SUFFIX WILL WITHSTAND EXPOSURE TO 260°C PEAK TEMPERATURE FOR 20 SECONDS IN WAVE SOLDER, INFRA-RED OR VAPOR PHASE SOLDER PROCESS.

Copyright FCI



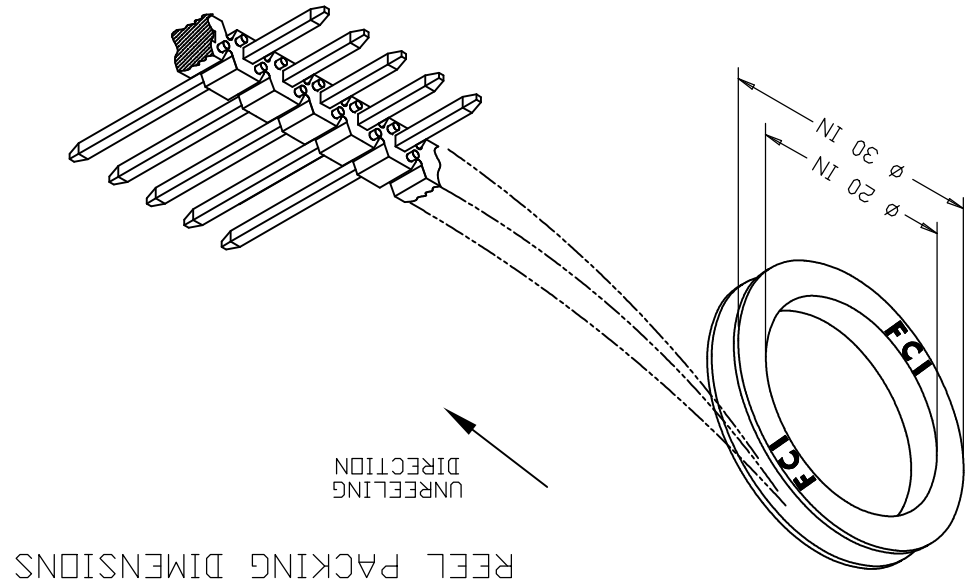
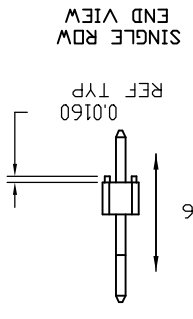
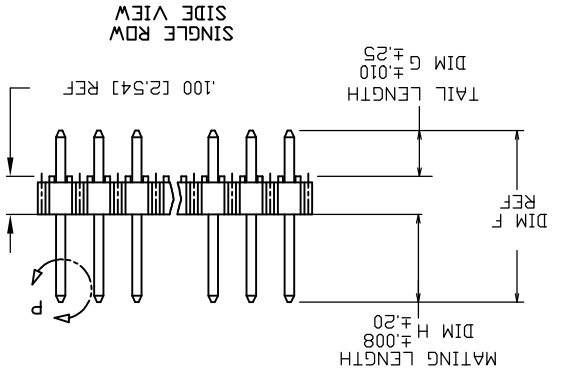
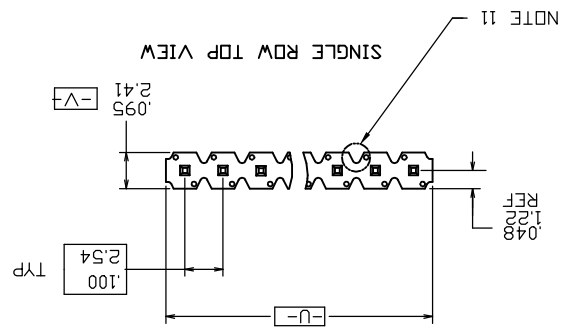
www.fciconnect.com		TOLERANCES UNLESS OTHERWISE SPECIFIED		ISD 1302		ISD 406 ISD 110		projection		INCH/MM	
Dr	T.BREWBAKER	01/05/95	ANGULAR	0X	±0.3	size	A4	Scale	1.000	ECN	
Eng	THANNA	01/05/95	LINEAR	0XX	±0.15						
Cmn	JMURPHY	01/05/95		0XXX	±0.05						
Appr	THANNA	01/05/95	Product family	BERGSTRIIP		Spec ref					
title		catalog no		drawing no		CUSTOMER		sheet 2 of 8			
FCI		100/2.54cc SR STRAIGHT		68000		DC		Rev.			

- PIN MATERIAL : PHOS-BRONZE.
- MEASURED WITH PART IN RESTRAINED CONDITION.
- TWO SIDES OF PIN TIPS NOT PLATED. TYPICAL BOTH ENDS.
- 2LBS/0.9KG MIN PIN RETENTION IN EITHER DIRECTION.
- PIN CANNOT PROTRUDE PAST EDGE OF HOUSING. MUST BE 0.05±.005/±.13 FROM END OF HOUSING HOLE.
- MILITARY BERGSTRIIP HEADER P/N XXXXX-XY-MIL.
- NOT AVAILABLE.
- ±0.10/0.25 TOL APPLIES TO ALL "G" TAILS EXCEPT INDICATED PARTS ON TABLE WHERE +0.10/0.25 - .000/0.00 APPLIES.
- INDICATED PART NUMBERS ARE PRODUCED AND SOLD IN THE TAIWAN/SINGAPORE AREAS. THESE ARE NOT AVAILABLE IN BERGSTRIIP CONTINUOUS STRIP.
- NOTCH CONFIGURATION WILL VARY PER VENDOR'S DISCRETION.
- THESE PRODUCTS MEETS EUROPEAN UNION DIRECTIVES AND OTHER COUNTRY REGULATION AS DESCRIBED IN GS-22-008.
- PLATING OPTIONS:
- PERFORMANCE PLATING WILL BE EITHER GOLD OR GXT ON POST OR TAIL. OPTIONALLY (78~295u"/2~7.5u) TIN ON TAIL.
- THIS PRODUCT HAS 100% TIN PLATING IN THE INTERFACE AND HAS NOT BEEN TESTED FOR WHISKER GROWTH IN ALL INTERCONNECT ENVIRONMENTS.
- THE DAL DON'T EXCEED 34.5mm
- INCREMENTS BY 0.1mm IN LENGTHS ONLY
- FOR SPECIAL PACKAGING REQUEST PLEASE CONTACT PRODUCT MANAGER FOR AVAILABILITY
- TO DETERMINE DIMENSIONS:
- NUMBER OF POSITION PER ROW
- EXAMPLE: 10 POS. N X .100/2.54
- 68000-406160035ALF IS SPECIAL PART NUMBER, IT IS 6PIN, MATING LENGTH IS 16mm. TAIL LENGTH IS 3.5mm. AND PACKAGE IS TAPE AND REEL AND NO CAP.

A B C D



BERGSTRIPTM HEADER



		title BERGSTRIPTM II HEADER .100/2.54cc SR STRAIGHT		catalog no	
Appr: THANNA 01/05/95		Product family BERGSTIK		customer sheet 3 of 8	
Chg: JMUROPY 01/05/95		size A4 Scale 1:000		Rev. DC	
Eng: THANNA 01/05/95		ECN ECN		Spec ref	
Dwg: T.BREWBAKER 01/05/95		tolerance std ISO 406 ISO 110		drawing no 68000	
surface ISO 1302		tolerance unless otherwise specified		www.fciconnect.com	
ANGULAR .0° ±.2°		LINEAR .0XX ±.0.15		TOLERANCES UNLESS OTHERWISE SPECIFIED	
INCH/MM		projection		projection	



PRODUCT NUMBER	TOTAL PIN LGTH	ENGLISH METRIC	ENGLISH METRIC	ENGLISH METRIC	DIM F	DIM G	DIM G	DIM H	DIM H	MATING LENGTH	BERGSTRIP™	OPTION
55492-XYY	8.00	0.095	2.41	0.120	3.05	3.05	3.05	3.05	3.05	3.05	POLY BAGS	
60017-XYY	15.75	0.210	5.53	0.310	7.87	7.87	7.87	7.87	7.87	7.87	POLY BAGS	
60018-XYY	16.76	0.250	6.35	0.310	7.87	7.87	7.87	7.87	7.87	7.87	POLY BAGS	
63334-XYY	11.05	0.095	2.41	0.240	6.10	6.10	6.10	6.10	6.10	6.10	POLY BAGS	
68000-XYY	10.80	0.095	2.41	0.230	5.84	5.84	5.84	5.84	5.84	5.84	POLY BAGS	
68001-XYY	11.43	0.120	3.05	0.230	5.84	5.84	5.84	5.84	5.84	5.84	POLY BAGS/TUBES	
68002-XYY	12.19	0.150	3.81	0.230	5.84	5.84	5.84	5.84	5.84	5.84	POLY BAGS	
68003-XYY	13.34	0.107	2.72	0.318	8.08	8.08	8.08	8.08	8.08	8.08	POLY BAGS	
68004-XYY	13.34	0.107	2.72	0.318	8.08	8.08	8.08	8.08	8.08	8.08	POLY BAGS	
68024-XYY	14.43	0.150	3.81	0.318	8.08	8.08	8.08	8.08	8.08	8.08	POLY BAGS	YES
68031-XYY	13.03	0.183	4.65	0.230	5.84	5.84	5.84	5.84	5.84	5.84	POLY BAGS	
68032-XYY	13.79	0.213	5.41	0.230	5.84	5.84	5.84	5.84	5.84	5.84	POLY BAGS	
68033-XYY	17.98	0.473	12.01	0.135	3.43	3.43	3.43	3.43	3.43	3.43	POLY BAGS	
68415-XYY	15.62	0.115	2.92	0.400	10.16	10.16	10.16	10.16	10.16	10.16	POLY BAGS	
68416-XYY	20.65	0.483	12.27	0.230	5.84	5.84	5.84	5.84	5.84	5.84	POLY BAGS	
68418-XYY	18.54	0.400	10.16	0.230	5.84	5.84	5.84	5.84	5.84	5.84	POLY BAGS	
68422-XYY	16.03	0.213	5.41	0.318	8.08	8.08	8.08	8.08	8.08	8.08	POLY BAGS	
68443-XYY	19.18	0.425	10.80	0.230	5.84	5.84	5.84	5.84	5.84	5.84	POLY BAGS	
68456-XYY	20.96	0.115	2.92	0.610	15.49	15.49	15.49	15.49	15.49	15.49	POLY BAGS	
68457-XYY	13.92	0.130	3.30	0.318	8.08	8.08	8.08	8.08	8.08	8.08	POLY BAGS	
68465-XYY	23.50	0.595	15.11	0.230	5.84	5.84	5.84	5.84	5.84	5.84	POLY BAGS	
68466-XYY	23.50	0.128	3.25	0.697	17.70	17.70	17.70	17.70	17.70	17.70	POLY BAGS	
68472-XYY	23.19	0.413	10.49	0.400	10.16	10.16	10.16	10.16	10.16	10.16	POLY BAGS	
68479-XYY	18.24	0.388	9.86	0.230	5.84	5.84	5.84	5.84	5.84	5.84	POLY BAGS	
68483-XYY	21.21	0.417	10.59	0.318	8.08	8.08	8.08	8.08	8.08	8.08	POLY BAGS	
68487-XYY	17.91	0.110	2.79	0.495	12.57	12.57	12.57	12.57	12.57	12.57	POLY BAGS	
68489-XYY	27.81	0.765	19.43	0.230	5.84	5.84	5.84	5.84	5.84	5.84	POLY BAGS	
68490-XYY	26.04	0.695	17.65	0.230	5.84	5.84	5.84	5.84	5.84	5.84	POLY BAGS	
68497-XYY	15.54	0.085	2.16	0.427	10.85	10.85	10.85	10.85	10.85	10.85	POLY BAGS	
68603-XYY	14.10	0.120	3.05	0.335	8.51	8.51	8.51	8.51	8.51	8.51	POLY BAGS	
68604-XYY	15.24	0.120	3.05	0.380	9.65	9.65	9.65	9.65	9.65	9.65	POLY BAGS	

NOTE 1,12

↑

NOTE 1,12

www.fciconnect.com		TOLERANCES UNLESS OTHERWISE SPECIFIED	
ISD 1302	ISD 406 ISD 110	projection	INCH/MM
Dr	T.BREWBAKER	01/05/95	
Eng	T.HANNA	01/05/95	
Chn	J.MURPHY	01/05/95	
Appr	T.HANNA	01/05/95	
Product family	BERGSTIK	Product family	BERGSTIK
Part no	ANGULAR	Part no	ANGULAR
Size	0X ±0.3	Size	A4
ECN	±0.05	ECN	1.000
Spec ref		Spec ref	
Rev.	DC	Rev.	DC
Part no	68000	Part no	68000
Customer		Customer	
Sheet 4 of 8		Sheet 4 of 8	



PRODUCT NUMBER	TOTAL PIN LGTH	ENGLISH METRIC	ENGLISH METRIC	ENGLISH METRIC	MATING LENGTH	DIM G	DIM G	DIM H	DIM H	BERGSTRIIP™	OPTION
68629-XXX	15.77	0.203	5.16	0.318	8.08	POLY BAGS	NO	NO	NO	OB	
68630-XXX	15.32	0.273	6.93	0.230	5.84	POLY BAGS	NO	NO	NO	OB	
68631-XXX	17.86	0.203	5.16	0.400	10.16	POLY BAGS	NO	NO	NO	OB	
68632-XXX	18.87	0.413	10.49	0.230	5.84	POLY BAGS	NO	NO	NO	OB	
68633-XXX	16.33	0.225	5.72	0.318	8.08	POLY BAGS	NO	NO	NO	OB	NOTE 1,12
68634-XXX	25.73	0.683	17.35	0.230	5.84	POLY BAGS	NO	NO	NO	OB	
68642-XXX	23.19	0.583	14.81	0.230	5.84	POLY BAGS	NO	NO	NO	OB	
68652-XXX	37.34	0.670	17.02	0.700	17.78	POLY BAGS	NO	NO	NO	OB	
68653-XXX	18.67	0.095	2.41	0.540	13.72	POLY BAGS	NO	NO	NO	OB	
68654-XXX	26.67	0.670	17.02	0.280	7.11	POLY BAGS	NO	NO	NO	OB	
68655-XXX	17.98	0.290	7.37	0.318	8.08	POLY BAGS	NO	NO	NO	OB	
68656-XXX	28.27	0.613	15.57	0.400	10.16	POLY BAGS	NO	NO	NO	OB	
68657-XXX	14.94	0.368	9.35	0.120	3.05	POLY BAGS	NO	NO	NO	OB	
68658-XXX	20.83	0.130	3.30	0.590	14.99	POLY BAGS	NO	NO	NO	OB	
68659-XXX	15.44	0.398	10.11	0.110	2.79	POLY BAGS	NO	NO	NO	OB	
68686-XXX	25.81	0.458	11.63	0.458	11.63	POLY BAGS	NO	NO	NO	OB	
68689-XXX	23.19	0.213	5.41	0.600	15.24	POLY BAGS	NO	NO	NO	OB	
68705-XXX	10.03	0.095	2.41	0.200	5.08	POLY BAGS	NO	NO	NO	OB	
68717-XXX	15.62	0.285	7.24	0.230	5.84	POLY BAGS	NO	NO	NO	OB	
68730-XXX	14.10	0.225	5.72	0.230	5.84	POLY BAGS	NO	NO	NO	OB	
68731-XXX	22.35	0.440	11.18	0.340	8.64	POLY BAGS	NO	NO	NO	OB	
68735-XXX	25.81	0.520	13.21	0.396	10.06	POLY BAGS	NO	NO	NO	OB	
68755-XXX	29.62	0.533	13.54	0.533	13.54	POLY BAGS	NO	NO	NO	OB	
68760-XXX	20.40	0.353	8.97	0.350	8.89	POLY BAGS	NO	NO	NO	OB	
68762-XXX	14.94	0.213	5.41	0.275	6.99	POLY BAGS	NO	NO	NO	OB	
68771-XXX	11.94	0.100	2.54	0.270	6.86	POLY BAGS	NO	NO	NO	OB	
68781-XXX	17.55	0.273	6.93	0.318	8.08	POLY BAGS	NO	NO	NO	OB	NOTE 1,12

www.fciconnect.com

surface ISD 1302 ✓ tolerance std ISD 406 ISD 110

tolerance unless otherwise specified

projection

INCH/MM

Dr	T.BREWBAKER	01/05/95
Eng	T.HANNA	01/05/95
Chg	J.MURPHY	01/05/95
Appr	T.HANNA	01/05/95

Product family	BERGSTIK
Product family	BERGSTIK
Product family	BERGSTIK

ANGULAR

LINEAR

size ±0.3

size A4

Scale 1.000

ECN

Spec ref

Rev. DC

dwg no

68000

title

BERGSTIK II HEADER

100/2.54cc SR STRAIGHT

catalog no

CUSTOMER

sheet 5 of 8

D

C

B

A

4

3

2

1

REV F - 206-14-17



STATUS:Released

PDS: Rev: DC

3

Printed: Dec 14, 2017

4

4

3

2

1



PRODUCT NUMBER	TOTAL PIN LGTH	ENGLISH METRIC	ENGLISH METRIC	ENGLISH METRIC	MATING LENGTH	TAIL LENGTH	DIM G	DIM G	DIM H	DIM H	DIM G	DIM H	BERGSTRIPTM	OPTION
68795-XXX	12.70	0.500	12.70	0.062	1.57	0.338	8.59	POLY BAGS	NO	NO	NO	NO	NO	NO
68796-XXX	16.08	0.633	16.08	0.423	10.74	0.110	2.79	POLY BAGS	NO	NO	NO	NO	NO	NO
68797-XXX	10.43	0.413	10.49	0.213	5.41	0.100	2.54	POLY BAGS	NO	NO	NO	NO	NO	NO
69148-XXX	11.43	0.442	11.43	0.000	0.00	0.350	8.89	POLY BAGS	NO	NO	NO	NO	NO	NO
69152-XXX	18.29	0.720	18.29	0.120	3.05	0.500	12.70	POLY BAGS/TUBES	NO	NO	NO	NO	NO	NO
69173-XXX	13.46	0.530	13.46	0.135	3.43	0.295	7.49	POLY BAGS	NO	NO	NO	NO	NO	NO
69188-XXX	19.08	0.751	19.08	0.333	8.46	0.318	8.08	POLY BAGS	NO	NO	NO	NO	NO	NO
69751-XXX	11.18	0.440	11.18	0.170	4.32	0.170	4.32	POLY BAGS	NO	NO	NO	NO	NO	NO
71417-XXX	16.87	0.664	16.87	0.115	2.92	0.449	11.40	POLY BAGS	NO	NO	NO	NO	NO	NO
72260-XXX	23.62	0.930	23.62	0.090	2.29	0.740	18.80	POLY BAGS	NO	NO	NO	NO	NO	NO
72323-XXX	30.48	1.200	30.48	0.100	2.54	1.000	25.40	POLY BAGS	NO	NO	NO	NO	NO	NO
72457-XXX	1.100	1.100	27.94	0.090	2.29	0.910	23.11	POLY BAGS	NO	NO	NO	NO	NO	NO
73698-XXX	1.100	1.100	27.94	0.120	3.05	0.880	22.35	POLY BAGS	NO	NO	NO	NO	NO	NO
74464-XXX	1.028	1.028	26.11	0.610	15.49	0.318	8.08	POLY BAGS	NO	NO	NO	NO	NO	NO
78240-XXX	16.84	0.663	16.84	0.333	8.46	0.230	5.84	POLY BAGS	NO	NO	NO	NO	NO	NO
78287-XXX	17.22	0.678	17.22	0.120	3.05	0.458	11.63	POLY BAGS	NO	NO	NO	NO	NO	NO
78290-XXX	31.75	1.250	31.75	0.500	12.70	0.650	16.51	POLY BAGS	NO	NO	NO	NO	NO	NO
78511-XXX	13.67	0.538	13.67	0.120	3.05	0.318	8.08	POLY BAGS/TUBES	YES	NO	NO	NO	NO	NO
78595-XXX	NOT AVAILABLE													
78931-XXX	NOT AVAILABLE													
78958-XXX	NOT AVAILABLE													
78959-XXX	NOT AVAILABLE													
78977-XXX	NOT AVAILABLE													
78998-XXX	0.430	10.92	0.155	3.94	0.175	4.45		POLY BAGS	NO	NO	NO	NO	NO	NO
78999-XXX	NOT AVAILABLE													
79428-XXX	17.65	0.695	17.65	0.120	3.05	0.475	12.07	POLY BAGS	NO	NO	NO	NO	NO	NO
79849-XXX	15.75	0.620	15.75	0.120	3.05	0.400	10.16	POLY BAGS	NO	NO	NO	NO	NO	NO

NOTE 1,12

NOTE 1,12

www.fciconnect.com		SURFACE ISD 1302		TOLERANCE UNLESS OTHERWISE SPECIFIED		INCH/MM	
Dr	T.BREWBAKER	01/05/95	ANGULAR	0X	±0.3	size	A4
Eng	T.HANNA	01/05/95	LINEAR	0XX	±0.15	ECN	1.000
Chr	J.MURPHY	01/05/95	Product family	0XXX	±0.05	Spec ref	
Appr	T.HANNA	01/05/95	Product family	0XXX	±0.05	Spec ref	
title		Product family		Spec ref		Rev.	
FCI		BERGSTRIPTM II HEADER		68000		DC	
catalog no		100/254cc SR STRAIGHT		68000		Rev.	
CUSTOMER		sheet 6 of 8		4			



PRODUCT NUMBER	TOTAL PIN LGTH	ENGLISH METRIC	ENGLISH METRIC	ENGLISH METRIC	DIM G	DIM G	DIM H	DIM H	MATING LENGTH	BERGSTRIIP™	LF
84918-XYX	8.64	0.120	3.05	0.120	3.05	0.120	3.05	0.120	3.05	POLY BAGS	OPTION
84921-XYX	9.40	0.150	3.81	0.120	3.05	0.120	3.05	0.120	3.05	POLY BAGS	
86506-XYX	11.18	0.120	3.05	0.220	5.59	0.220	5.59	0.220	5.59	POLY BAGS	
86579-XYX	11.43	0.120	3.05	0.230	5.84	0.230	5.84	0.230	5.84	POLY BAGS	NOTE 9
86634-XYX	NOT AVAILABLE										NOTE 1,12
86635-XYX	NOT AVAILABLE										
86636-XYX	NOT AVAILABLE										
86637-XYX	NOT AVAILABLE										
86638-XYX	NOT AVAILABLE										
86793-XYX	0.900	22.86	0.100	2.54	0.700	17.78	NOTE 10	NO		POLY BAGS	OB
86899-XYX	1.020	25.91	0.120	3.05	0.800	20.32		NO		POLY BAGS	OB
87185-XYX	1.238	31.45	0.095	2.41	1.043	26.49	NOTE 10	NO		POLY BAGS	OB
87204-XYX	0.895	22.73	0.120	3.05	0.675	17.15		NO		POLY BAGS	OB
87241-XYX	1.000	25.40	0.120	3.05	0.780	19.81		NO		POLY BAGS	OB
87502-XYX	1.130	28.70	0.110	2.79	0.920	23.37		NO		POLY BAGS	OB
87827-XYX	0.380	9.65	0.120	3.05	0.160	4.06		NO		POLY BAGS	OB
87916-XYX	1.058	26.87	0.128	3.25	0.830	21.08		NO		POLY BAGS	NOTE 1,12
88005-XYX	0.536	13.61	0.095	2.41	0.341	8.66		NO		POLY BAGS	OB
88706-XYX	0.900	22.86	0.100	2.54	0.700	17.78		NO		POLY BAGS	OB
89232-XYX	0.325	8.26	0.000	0.00	0.230	5.84		NO		POLY BAGS	OB

www.fciconnect.com		surface ISD 1302		tolerance std		ISD 406 ISD 110		projection		INCH/MM	
TOLERANCES UNLESS OTHERWISE SPECIFIED		ANGULAR		LINEAR		size		A4		Scale 1:000	
Dr. T.BREWBAKER		01/05/95		0X		±0.3					
Eng. THANNA		01/05/95		0XX		±0.15					
Cmr. J.MURPHY		01/05/95		0XXX		±0.05		ECN			
Appr. THANNA		01/05/95		Product family		BERGSTIK		Spec ref			
title		BERGSTIK II HEADER		ding no		68000		Rev.		DC	
catalog no		100/254cc SR STRAIGHT		CUSTOMER		sheet 7 of 8					

D

C

B

A

4

STATUS:Released Printed: Dec 14, 2017

3

PDS: Rev :DC

2

1

REV F - 200-44-11

4

3

2

1

X-ON Electronics

Largest Supplier of Electrical and Electronic Components

Click to view similar products for [amphenol manufacturer](#):

Other Similar products are found below :

[CTV06RGQF-17-52P](#) [CTVPS00RGF-23-6P-LC](#) [JTPQ00RT-16-35P\(453\)](#) [GC835TY2S](#) [CF-509621-29P](#) [BF8-1218-31SV-Y70](#) [TVP00RGW-23-6SA\(LC\)](#) [RNJ27CI1535P014](#) [10-553998-139](#) [21-033388-031](#) [10-507142-843](#) [GTS02R20-15P-025-116](#) [GTS06G-32-7S](#) [GTC06-36-78PX-023](#) [ACC02E28-51S-003-B30-LC](#) [TV06RL-13-35SD-LC](#) [TV06RL-13-35SD](#) [TV06RL-13-98SD-LC](#) [TV06RL-13-98SD](#) [GTC08AF32-15SX-B30-LC](#) [GTC06G32-76PZ](#) [TVP00RW-23-53AD](#) [100-007-213-002-001](#) [5M30-61](#) [JT07RT-22-14PB-453](#) [FSPP-103-00-004](#) [360031](#) [10-037090-161](#) [10-541504-001](#) [10-580902-409](#) [TV97RW-9-9S\(S15\)](#) [TVPS00RGF-9-5P-LC](#) [TVPS00RGF-9-5PA-LC](#) [TVP00RGQW-21-75P-LC](#) [TV06RW-25-90AE](#) [97-3108B16S-5PW-417](#) [PT06J20-24SW](#) [97-3108B16S-4PY-417](#) [97-3108B16S-4PX-417](#) [97-3108B16S-5PY-417](#) [97-3108B16S-4PW-417](#) [CS-DSDMDB37MF-025](#) [97-3108B16S-5PZ-417](#) [TV06RW-25-46AE](#) [TVS07RF-21-16AA](#) [TVS07RF-21-39BA](#) [60261626SNCOND1](#) [SE00TVW09](#) [CF-5A9013-04N](#) [CF-6A4615-06N](#)