

PRODUCT NO.	MATERIAL
68106-XXXLF	PLAIN NORYL, COLOR: BLACK UL94V-1
68106-XXXHLF	Zytel: FR-50, BLACK UL94V-0

P/N	No.of POS	A	B	C	D
68106-003LF,-003HLF	8	5.08/.200	10.27/.404	12.27/.483	13.84/.545
68106-002LF,-002HLF	6	2.54/.100	7.73/.304	9.73/.383	11.30/.445
68106-001LF,-001HLF	4	0/.0	5.19/.204	7.19/.287	8.76/.345

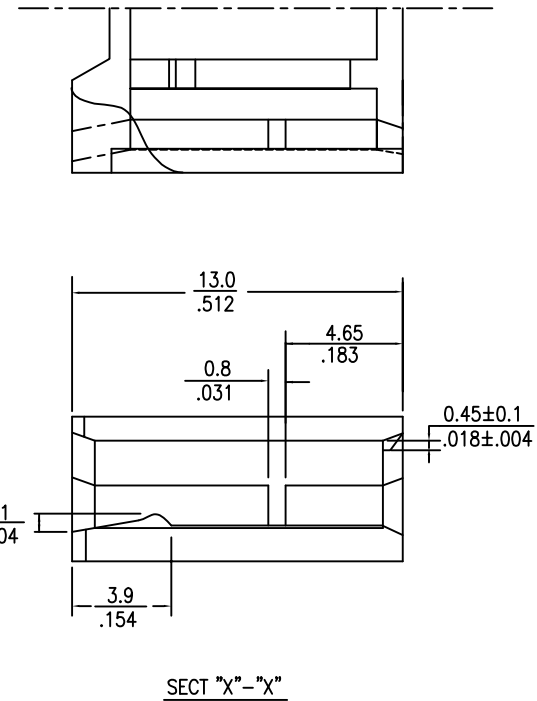
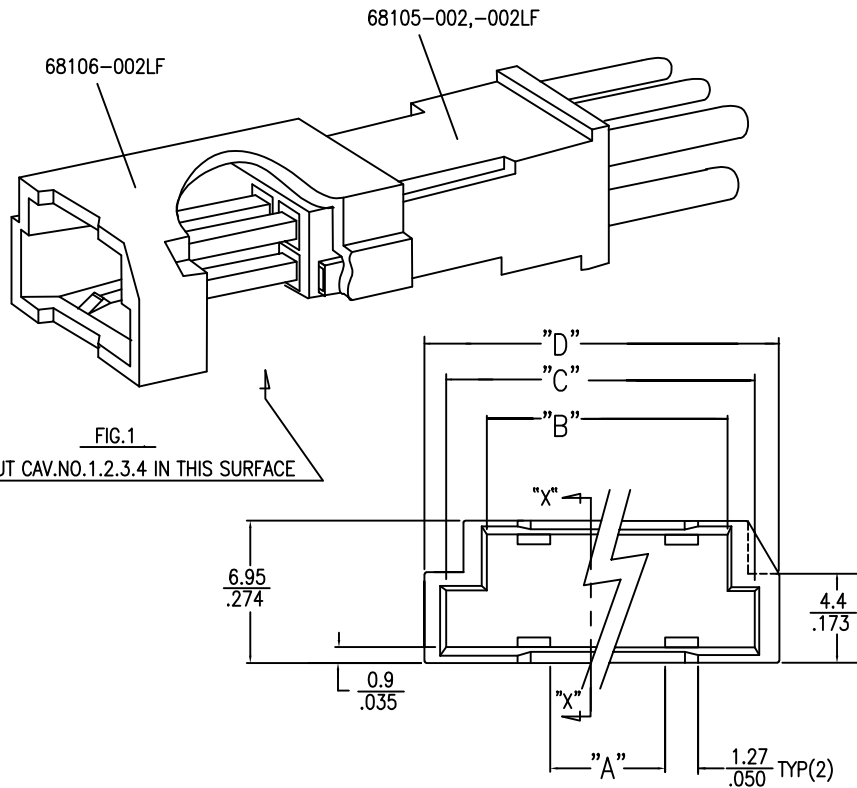
NOTE

1. PUT DD MARK IN THIS PLACE WITH 0.02/.008 HEIGHT
2. PUT CAV NO. 1.2.3.4. IN THIS PLACE WITH 0.02/.008 HEIGHT
3. THIS PRODUCT MEETS EUROPEAN UNION DIRECTIVES AND OTHER COUNTRY REGULATIONS AS DESCRIBED IN GS-22-008.
4. THIS PRODUCT IS NOT INTENDED TO BE EXPOSED TO A MANUFACTURING SOLDER PROCESS.

注記

1. この位置にDDマークを彫刻。浮き出し高さ0.02MAX.
2. この位置にCAV No. 1.2.3.4を彫刻。浮き出し高さ0.02 MAX.
3. 本製品は、GS-22-008に記載されたヨーロッパ連合指令と他国の規制に適合しています。
4. 本製品は、はんだ付け工程には使用できません。

FCI CONFIDENTIAL



This document is the property of and contains CONFIDENTIAL and PROPRIETARY information of FCI. No part of this information may be used in any way or disclosed to others without the written consent of FCI. Copyright © FCI.

mat'l. code		surface		tolerance		projection		product family		CODE
---		ISO 1302		ISO 406 ISO 1101		mm/INCH		5NGF - PV HOUSINGS		JP
ltr description		ecm no	dr	date		tolerances unless otherwise specified		Title		
A	RELEASED		NY	11/10/83		0.X ±0.25		POLARIZED M/L HSG SHROUD		
B	REVISED	J8110	NY	12/5/84		linear 0.XX ±0.25		DOUBLE ROW		
C	REVISED	J8461	NY	8/5/87		0.XXX ±0.25		scale 1:1		
D	ADD NEW P/N	J03-0441	YK	10/29/03		dr D.DETOUILLOIN 27/06/18		dwg no 68106 sheet 1 of 1 size A3		
E	REVISED	J05-0578	R.S	9/7/05		engr L.MULIN 27/06/18		FCI		
F	REVISED	J06-0370	R.S	10/2/06		chr L.MULIN 27/06/18		Rev. G		
G	REVISED	F-30562	DDE	27/6/18		appd A.SOUDY 27/06/18		Type PRODUCT CUSTOMER Drawing		
sheet index	revision sheet	G	1					Rev. G		

X-ON Electronics

Largest Supplier of Electrical and Electronic Components

Click to view similar products for [Headers & Wire Housings](#) category:

Click to view products by [Amphenol](#) manufacturer:

Other Similar products are found below :

[892-18-020-10-001101](#) [58102-G61-06LF](#) [582553-1](#) [0009485154](#) [009176003701906](#) [0050291907](#) [LY20-4P-DT1-P1E-BR](#) [02.125.8002.8](#)
[609-3404](#) [61062-3](#) [622-0430](#) [622-3653LF](#) [63453-116](#) [636-1030](#) [636-1427](#) [636-3427](#) [636-4007](#) [641938-9](#) [641991-4](#) [644827-2](#) [65817-010LF](#)
[65817-015LF](#) [65863-015LF](#) [66207-023LF](#) [67095-007LF](#) [67601157](#) [68648-049](#) [70.362.1628.0](#) [70-4210](#) [70-4226B](#) [70-4853B](#) [707-5020](#) [707-](#)
[5028](#) [71.350.2428.0](#) [71918-208LF](#) [71961-016LF](#) [733-134](#) [733-162](#) [754199-000](#) [760-3052](#) [787-8014-00](#) [79531-3000](#) [FCN-360C032-B](#) [FCN-](#)
[367T-T012/H](#) [FCN-723D010/2](#) [80.063.4001.1](#) [800-90-001-10-001000](#) [800-90-010-10-002000](#) [801-43-002-10-013000](#) [801-43-006-10-002000](#)