



PRODUCT NUMBER	NO. OF POS.	MATING		TAIL LENGTH		BEND DIM		PIN PLATING CODE	POLARIZED POSITION	LEAD FREE PIN PLATING CODE	LEAD FREE OPTION
		DIM F	DIM F	DIM G	DIM G	DIM H	DIM H				
		ENGLISH	METRIC	ENGLISH	METRIC	ENGLISH	METRIC				
68450-001			J N A S	S I G N E D							NOTE 4, 5
68450-002	8	0.318	8.08	0.110	2.79	0.060	1.52	2	7	2	
68450-003	7	0.318	8.08	0.110	2.79	0.060	1.52	2	3	2	
68450-004	32	0.318	8.08	0.110	2.79	0.060	1.52	2	2-5-9-20-26-31	2	
68450-005	5	0.230	5.84	0.195	4.95	0.160	4.06	1	4	1	
68450-006	17	0.135	3.43	0.305	7.75	0.135	3.43	4	9	4LF	
68450-007	10	0.135	3.43	0.305	7.75	0.135	3.43	4	6	4LF	
68450-008	12	0.318	8.08	0.110	2.79	0.060	1.52	2	7	2	
68450-009			N O T	A V A	I L A	B L E					
68450-010	11	0.230	5.84	0.120	3.05	0.060	1.52	1	2-5	1	
68450-011	7	0.230	5.84	0.090	2.29	0.060	1.52	1	5	1	
68450-012	6	0.230	5.84	0.090	2.29	0.060	1.52	1	5	1	
68450-013	6	0.230	5.84	0.090	2.29	0.060	1.52	1	4	1	
68450-014	6	0.120	3.05	0.185	4.70	0.149	3.78	4	5	4LF	
68450-015	4	0.230	5.84	0.120	3.05	0.060	1.52	4	2	4LF	
68450-016	4	0.230	5.84	0.090	2.29	0.060	1.52	3	2	3	
68450-017	12	0.230	5.84	0.090	2.29	0.060	1.52	1	2	1	
68450-018	5	0.230	5.84	0.090	2.29	0.060	1.52	3	2	3	
68450-019	6	0.230	5.84	0.090	2.29	0.060	1.52	1	3	1	
68450-020	9	0.230	5.84	0.120	3.05	0.060	1.52	1	2	1	
68450-021	12	0.318	8.08	0.120	3.05	0.060	1.52	4	2	4LF	
68450-022	8	0.318	8.08	0.120	3.05	0.060	1.52	2	3	2	
68450-023	7	0.318	8.08	0.110	2.79	0.060	1.52	2	2	2	
68450-024	8	0.318	8.08	0.120	3.05	0.060	1.52	2	6	2	
68450-025	25	0.110	2.79	0.230	5.84	0.135	3.43	4	3-21	4LF	
68450-026	14	0.135	3.43	0.295	7.49	0.135	3.43	1	5	1	
68450-027	19	0.230	5.84	0.195	4.95	0.160	4.06	2	ALL EVEN	2	NOTE 4, 5

NOTE

- FOR PRODUCT GEOMETRY AND GENERAL INFORMATION SEE DRAWING 93198.
- ANY NUMBER OF POSITIONS FROM 2 THROUGH 36.
- PACKAGED IN POLY BAGS ONLY.
- ADD "HLF" SUFFIX AT THE END OF PART NUMBER FOR LEAD FREE OPTION.
- THESE PRODUCTS MEET EUROPEAN UNION DIRECTIVES AND OTHER COUNTRY REGULATION AS DESCRIBED IN GS-22-008.
- PART NUMBERS WITH "H" SUFFIX WILL WITHSTAND EXPOSURE TO 260°C PEAK TEMPERATURE FOR 20 SECONDS IN WAVE SOLDER, INFRA-RED OR VAPOR PHASE SOLDER PROCESS.

PART NUMBERS WITHOUT "H" SUFFIX WILL WITHSTAND EXPOSURE TO 260°C PEAK TEMPERATURE FOR WAVE SOLDER PROCESS.

BODY MATERIAL:

BERGSTIK: MANUFACTURER'S OPTION OF NYLON, PCT GLASS FIBER REINFORCED, FLAME RETARDENT PER UL-94V-0.  
 COLOR : BLACK OR MINERAL FILLED LCP, FLAME RETARDENT PER UL-94V-0.  
 COLOR BLACK.

- PLATING OPTIONS:  
PERFORMANCE PLATING WILL BE EITHER GOLD OR GXT ON POST OR TAIL, OPTIONALLY (78~295u"/2~7.5u) TIN ON TAIL.
- \*THIS PRODUCT HAS 100% TIN PLATING IN THE INTERFACE AND HAS NOT BEEN TESTED FOR WHISKER GROWTH IN ALL INTERCONNECT ENVIRONMENTS.\*

mat'l. code				surface ISO 1302 ✓		tolerance ISO 406 ISO 1101		projection		product family Bergstik			
ltr	ecn no	dr	date	tolerances unless otherwise specified				INCH/MM		title			
BT	N11-0118	JZ	2011-04-22	angles	.XX±.01/XX±0.3		INCH/MM		BERGSTIK® II HEADER R/A				
BU	ELX-N-16105	ZK	2013-10-22	linear	.XXX±.005/XX±0.13		scale 1: 1		.100/2.54cc SR POLARIZED				
				0°±2'	.XXXX±.0020/XXX±0.051				dwg no sheet 1 of 4 size				
				dr	T.BREWBAKER	1/13/95		FCI		68450 A4			
				enr	T.HANNA	1/13/95				type PRODUCT CUSTOMER Drawing			
				chr	T.HANNA	1/13/95							
				appd	T.HANNA	1/13/95							
sheet index	revision sheet	BU	BU	BU	BU	BU	BU						
		1	2	3	4								



PRODUCT NUMBER	MATING LENGTH		TAIL LENGTH		BEND DIM		PIN PLATING CODE	POLARIZED POSITION	LEAD FREE PIN PLATING CODE	LEAD FREE OPTION	
	NO. OF DIM F	DIM F	DIM G	DIM G	DIM H	DIM H					
	POS.	ENGLISH	METRIC	ENGLISH	METRIC	ENGLISH					METRIC
68450-028	14	0.120	3.05	0.295	7.49	0.135	3.43	1	5	1	NOTE 4, 5
68450-029	19	0.230	5.84	0.120	3.05	0.060	1.52	2	ALL EVEN	2	
68450-030	5	0.120	3.05	0.230	5.84	0.135	3.43	4	4	4LF	
68450-031	18	0.230	5.84	0.120	3.05	0.060	1.52	1	7	1	
68450-032	10	0.230	5.84	0.120	3.05	0.060	1.52	1	8	1	
68450-033	19	0.230	5.84	0.120	3.05	0.060	1.52	1	3-4-6-7-12	1	
68450-034	20	0.230	5.84	0.090	2.29	0.060	1.52	4	4	4LF	
68450-035	14	0.230	5.84	0.120	3.05	0.060	1.52	1	7	1	
68450-036	8	0.100	2.54	0.120	3.05	0.060	1.52	4	2	4LF	
68450-037	3	0.110	2.79	0.230	5.84	0.135	3.43	1	3	1	
68450-038	3	0.110	2.79	0.230	5.84	0.135	3.43	1	1	1	
68450-039	19	0.120	3.05	0.185	4.70	0.149	3.78	1	ALL EVEN	1	
68450-040	3	0.230	5.84	0.090	2.29	0.060	1.52	1	1	1	
68450-041	8	0.230	5.84	0.100	2.54	0.060	1.52	4	5	4LF	
68450-042	8	0.230	5.84	0.100	2.54	0.060	1.52	4	3	4LF	
68450-043	12	0.230	5.84	0.120	3.05	0.060	1.52	3	5-11	3	
68450-044	7	0.230	5.84	0.120	3.05	0.060	1.52	4	5	4LF	
68450-045	8	0.135	3.43	0.135	3.43	0.135	3.43	2	3	2	
68450-046	5	0.230	5.84	0.120	3.05	0.060	1.52	1	4	1	
68450-047	11	0.230	5.84	0.090	2.29	0.060	1.52	1	3	1	
68450-048	8	0.135	3.43	0.305	7.75	0.135	3.43	2	6	2	
68450-049	10	0.120	3.05	0.100	2.54	0.060	1.52	4	2-4-5-7-9	4LF	
68450-050	5	0.230	5.84	0.120	3.05	0.060	1.52	1	2	1	
68450-051	9	0.230	5.84	0.120	3.05	0.060	1.52	4	2-3-5-6-8	4LF	
68450-052	5	0.230	5.84	0.090	2.29	0.060	1.52	4	2	4LF	
68450-053	10	0.230	5.84	0.120	3.05	0.060	1.52	2	8	2	
68450-054	10	0.230	5.84	0.120	3.05	0.060	1.52	4	8	4LF	

NOTE 4, 5

A

A

B

5

B

mat'l. code		surface ISO 1302 <input checked="" type="checkbox"/>		tolerance ISO 406 <input checked="" type="checkbox"/>		projection		product family Bergstik	
ltr		ecn no		dr		date		tolerances unless otherwise specified	
BU								INCH/MM	
								scale 1: 1	
								title BERGSTIK® II HEADER R/A .100/2.54cc SR POLARIZED	
								dwg no 68450 sheet 2 of 4 size A4	
								type PRODUCT CUSTOMER Drawing	
sheet index		revision sheet							



PRODUCT NUMBER	NO. OF POS.	MATING LENGTH		TAIL LENGTH		BEND DIM		PIN PLATING CODE	POLARIZED POSITION	LEAD FREE PIN PLATING CODE	LEAD FREE OPTION
		DIM F	DIM F	DIM G	DIM G	DIM H	DIM H				
		ENGLISH	METRIC	ENGLISH	METRIC	ENGLISH	METRIC				
68450-055	10	0.230	5.84	0.120	3.05	0.060	1.52	1	8	1	NOTE 4, 5
68450-056	5	0.318	8.08	0.090	2.29	0.160	4.06	3	4	3	
68450-057H	8	0.120	3.05	0.230	5.84	0.060	1.52	2	2	2	
68450-058H	12	0.318	8.08	0.120	3.05	0.060	1.52	2	2	2	
68450-059H	6	0.230	5.84	0.085	2.16	0.060	1.52	4	2-3-4	4LF	
68450-060H	25	0.230	5.84	0.290	7.37	0.060	1.52	1	3-5-8-9-12-13-16-19-20	1	
68450-061H	3	0.230	5.84	0.090	2.29	0.060	1.52	1	2	1	
68450-062	5	0.275	6.99	0.120	3.05	0.060	1.52	2	2	2	
68450-063H	5	0.318	8.08	0.120	3.05	0.060	1.52	4	2	4LF	
68450-064H	6	0.230	5.84	0.120	3.05	0.060	1.52	1	2-3-4-5	1	
68450-065H	6	0.230	5.84	0.090	2.29	0.060	1.52	4	2-3-4-5	4LF	
68450-066H	4	0.230	5.84	0.120	3.05	0.060	1.52	4	2 AND 3	4LF	
68450-067	7	0.230	5.84	0.120	3.05	0.060	1.52	2	6	2	
68450-068	5	0.230	5.84	0.120	3.05	0.060	1.52	2	4	2	
68450-069H	12	0.230	5.84	0.090	2.29	0.060	1.52	1	7	1	
68450-070H	6	0.275	6.99	0.120	3.05	0.060	1.52	1	2	1	
68450-071H	7	0.110	2.79	0.230	5.84	0.160	4.06	2	3	2	
68450-072H	7	0.140	3.56	0.115	2.92	0.060	1.52	4	3,4	4LF	
68450-073H	7	0.140	3.56	0.115	2.92	0.060	1.52	2	3,4	2	
68450-074H	20	0.140	3.56	0.115	2.92	0.060	1.52	4	4,5,6,7,8,9,13,14,15,16,17	4LF	
68450-075H	20	0.140	3.56	0.115	2.92	0.060	1.52	2	4,5,6,7,8,9,13,14,15,16,17	2	
68450-076H	7	0.140	3.56	0.115	2.92	0.060	1.52	4	4,5	4LF	
68450-077H	7	0.140	3.56	0.115	2.92	0.060	1.52	2	4,5	2	
68450-078H	21	0.190	4.83	0.095	2.41	0.060	1.52	4	2,4,5,6,8,10,12,14,16,18,20	4LF	
68450-079H	21	0.190	4.83	0.095	2.41	0.060	1.52	2	2,4,5,6,8,10,12,14,16,18,20	2	
68450-080H	9	0.230	5.84	0.090	2.29	0.060	1.52	1	2	1	
68450-081H	12	0.320	8.13	0.100	2.54	0.060	1.52	4	4, 5, 9, 10	4LF	
68450-082H	3	0.120	3.05	0.120	3.05	0.060	1.52	1	2	1	

OB

OB

NOTE 4, 5

A

A

B

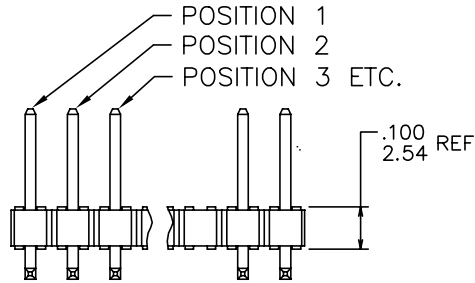
5

B

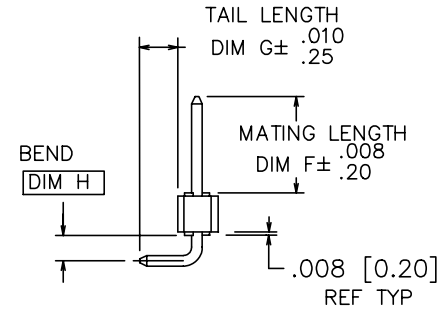
mat'l. code		surface ISO 1302		tolerance ISO 406 ISO 1101		projection		product family Bergstik	
ltr	ecn no	dr	date		tolerances unless otherwise specified		INCH/MM		title
BU					angles		scale 1: 1		BERGSTIK® II HEADER R/A
					linear				.100/2.54cc SR POLARIZED
					0°±2'				dwg no 68450
					dr		T.BREWBAKER 1/13/95		sheet 3 of 4
					enr		T.HANNA 1/13/95		A4
					chr		T.HANNA 1/13/95		type PRODUCT CUSTOMER Drawing
					appd		T.HANNA 1/13/95		
sheet index	revision sheet								



PRODUCT NUMBER	NO. OF POS.	MATING LENGTH		TAIL LENGTH		BEND DIM		PIN PLATING CODE	POLARIZED POSITION	LEAD FREE PIN PLATING CODE	LEAD FREE OPTION
		DIM F	DIM F	DIM G	DIM G	DIM H	DIM H				
		ENGLISH	METRIC	ENGLISH	METRIC	ENGLISH	METRIC				
68450-083H	5	0.120	3.05	0.120	3.05	0.060	1.52	4	2, 4	4LF	OB
68450-084H	5	0.120	3.05	0.120	3.05	0.060	1.52	4	2, 3	4LF	OB NOTE 4, 5



SINGLE ROW  
SIDE VIEW  
SEE NOTE 1



SINGLE ROW  
END VIEW

PIN PLATING CODES

1	30u"/0.76u MIN (SEE NOTE 7) OVER 50u"/1.27u MIN Ni
2	15u"/0.38u MIN (SEE NOTE 7) OVER 50u"/1.27u MIN Ni
3	50u"/1.27u MIN (SEE NOTE 7) OVER 50u"/1.27u MIN Ni
4	100u"/2.54u MIN Sn OVER 50u"/1.27u MIN Ni (SEE NOTE 8)
4LF	

mat'l. code		surface ISO 1302 ✓		tolerance ISO 406 ISO 1101		projection		product family Bergstik	
ltr	ecn no	dr	date	tolerances unless otherwise specified		INCH/MM		title	
BU				angles	.XX±.01/.X±0.3	scale 1: 1		BERGSTIK® II HEADER R/A	
				linear	.XXX±.005/.XX±0.13			.100/2.54cc SR POLARIZED	
				0°±2'	.XXX±.0020/.XXX±0.051			dwg no sheet 4 of 4 size	
				dr	T.BREWBAKER 1/13/95	FCI		68450 A4	
				enr	T.HANNA 1/13/95			type PRODUCT CUSTOMER Drawing	
				chr	T.HANNA 1/13/95				
				appd	T.HANNA 1/13/95				
sheet index	revision sheet								

## X-ON Electronics

Largest Supplier of Electrical and Electronic Components

*Click to view similar products for [Headers & Wire Housings](#) category:*

*Click to view products by [Amphenol](#) manufacturer:*

Other Similar products are found below :

[95000-104TRLF](#) [10135584-644402LF](#) [DF62W-EP2022PCA](#) [95000-106TRLF](#) [DF62W-2022SCA](#) [DF62W-EP2022PC](#) [2203348](#) [DF62W-2022SC](#) [1084018](#) [1029039](#) [1084017](#) [802-10-012-10-002000](#) [1112640](#) [1112639](#) [000-34000](#) [0009482033](#) [0009507031](#) [57102-S06-03LF](#) [57202-S52-04LF](#) [PCN6-15S-2.5E](#) [0039019024](#) [58102-G61-06LF](#) [582553-1](#) [0009485154](#) [0009508121](#) [0022285053](#) [0050291907](#) [018731A](#) [LY20-4P-DT1-P1E-BR](#) [02.125.8002.8](#) [60101931](#) [60598-1 \(Cut Strip\)](#) [M1625-3R/100](#) [61062-3](#) [61082-181009](#) [636-1427](#) [638009-1](#) [641938-9](#) [641991-4](#) [644168-1](#) [647662-1](#) [65039-019ELF](#) [65781-047](#) [65817-002LF](#) [65817-015LF](#) [65863-015LF](#) [66207-023LF](#) [67016-026LF](#) [67046-001LF](#) [67095-007LF](#)