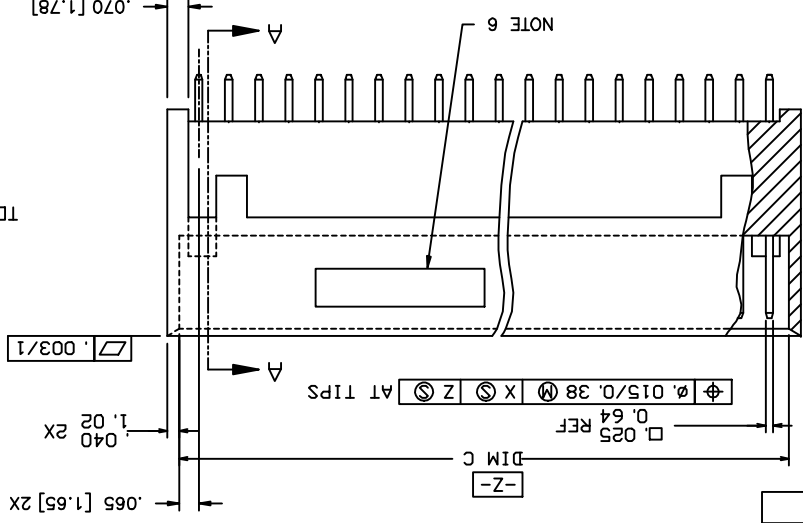
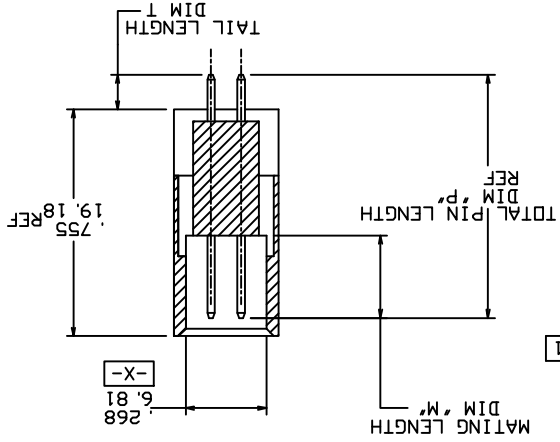
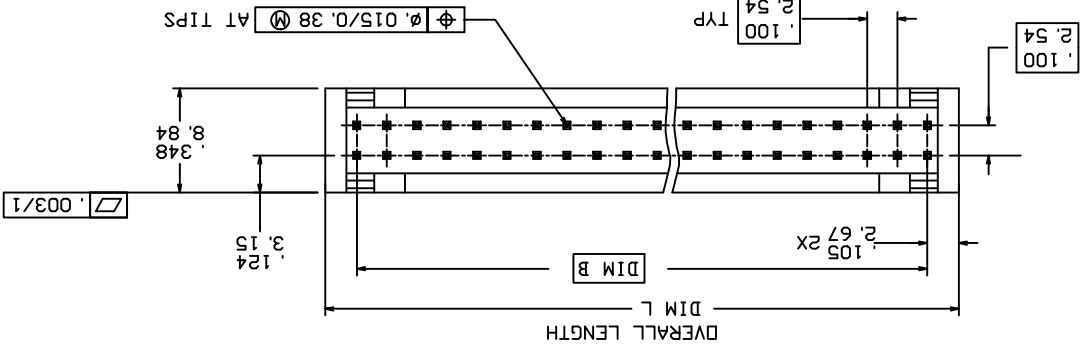


material code		NOTE 3 & 4		surface		ISO 802		tolerance		ISO 406		ISO 101		projection		product family		HEADERS		title		INCH/MM		scale		2:1		VERTICAL STACKING 2-ROW HEADER		.755/19.18 W/O MOUNTING HOLES		sheet 1 of 4 size		68210		Product Customer Drawing	
lit		ech no		dr		date		linear		angles		linear		linear		linear		linear		linear		linear		linear		linear		linear		linear		linear		linear		linear	
E		V13304		JWB		12/19/91		10/7/97		10/7/97		10/7/97		10/7/97		10/7/97		10/7/97		10/7/97		10/7/97		10/7/97		10/7/97		10/7/97		10/7/97		10/7/97		10/7/97		10/7/97	
F		V50975		MDF		8/7/95		8/7/95		8/7/95		8/7/95		8/7/95		8/7/95		8/7/95		8/7/95		8/7/95		8/7/95		8/7/95		8/7/95		8/7/95		8/7/95		8/7/95		8/7/95	
G		V71450		HTB		10/7/97		10/7/97		10/7/97		10/7/97		10/7/97		10/7/97		10/7/97		10/7/97		10/7/97		10/7/97		10/7/97		10/7/97		10/7/97		10/7/97		10/7/97		10/7/97	
H		M05-0089		ERE		4/20/95		4/20/95		4/20/95		4/20/95		4/20/95		4/20/95		4/20/95		4/20/95		4/20/95		4/20/95		4/20/95		4/20/95		4/20/95		4/20/95		4/20/95		4/20/95	
J		M07-0116		AGS		2/19/07		2/19/07		2/19/07		2/19/07		2/19/07		2/19/07		2/19/07		2/19/07		2/19/07		2/19/07		2/19/07		2/19/07		2/19/07		2/19/07		2/19/07		2/19/07	
K		M08-0279		MHT		9/30/08		9/30/08		9/30/08		9/30/08		9/30/08		9/30/08		9/30/08		9/30/08		9/30/08		9/30/08		9/30/08		9/30/08		9/30/08		9/30/08		9/30/08		9/30/08	
Sheet		Revision		K		K		K		K		K		K		K		K		K		K		K		K		K		K		K		K		K	
Index		Sheet		1		2		3		4		5		6		7		8		9		10		11		12		13		14		15		16		17	



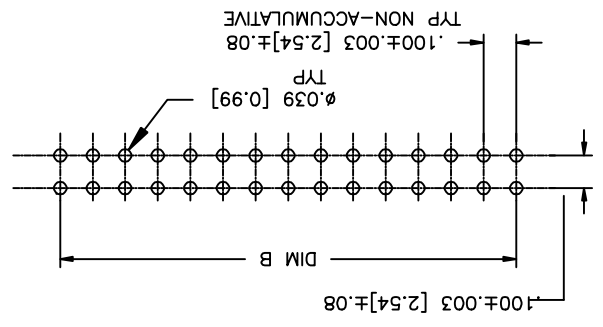
PRODUCT NUMBER
SEE TABLE

Copyright FC
FConnexion

POSITION TABLE	
PRODUCT NO	SIZE
XXXXX-001	2X5
	2X6
	2X7
	2X8
	2X9
	2X10
	2X11
	2X12
	2X13
	2X14
	2X15
	2X16
	2X17
	2X18
	2X19
	2X20
	2X21
	2X22
	2X23
	2X24
	2X25
	2X26
	2X27
	2X28
	2X29
	2X30
	2X31
	2X32
	2X33
	2X34
	2X35
	2X36
XXXXX-032	2X36

PART NUMBER INFORMATION
XXXXX-XXX LF

LEAD FREE OPTION
SEE POSITION TABLE
FOR SIZES NOTE 1
BASE PART NO.



RECOMMENDED PC BOARD LAYOUT
SCALE 2/1

NOTES
① SEE POSITION TABLE FOR PRODUCT NO AND SIZE TABULATION.
HOUSING DASH NO IS SAME AS HEADER DASH NO.

② DIM B =
(NO OF COLUMNS - 1) TIMES .100 (ENGLISH)
(NO OF COLUMNS - 1) TIMES 2.54 (METRIC)
③ MOLDING MATERIAL: 20% MIN GLASS FILLED NYLON PER UL 94V-0.
COLOR: BLACK, OXYGEN INDEX 36.
OR
MINERAL FILLED LCP FLAME RETARDENT
PER UL-94V-0. COLOR: BLACK.

④ TERMINAL MATERIAL: 3/4 HARD PHOS BRONZE ALLOY UNS C51000.
5. PIN RETENTION TO BE 3 LBS./1.4 KGS MINIMUM PER PIN IN EITHER DIRECTION.

⑥ COMPANY LOGO TO BE MOLDED IN APPROX LOCATION SHOWN.

⑦ ADD "LF" SUFFIX AT THE END OF PART NUMBER FOR LEAD FREE OPTION.

8. THE HOUSING WILL WITHSTAND EXPOSURE TO 260° FOR 15 SECONDS IN A WAVE SOLDER APPLICATION WITH A 1.5mm MINIMUM THICK CIRCUIT BOARD SEE APPLICATION NOTES/PROCEDURES IF THEY ARE AVAILABLE.
⑧ THESE PRODUCT MEETS EUROPEAN UNION DIRECTIVES AND OTHER COUNTRY REGULATION AS DESCRIBED IN GS-22-008.

⑩ PLATING OPTIONS:
MAY BE EITHER GOLD OR GXT PLATED AT MANUFACTURER'S OPTION.

mat'l code	NOTE 3 & 4	ltf	ecm no	dr	date	tolerance unless otherwise specified		ISO 406	ISO 407	projection	product family	HEADERS
angles	linear	linear	linear	linear	linear	linear	linear	linear	linear	linear	linear	linear
0±.2	0±.2	0±.2	0±.2	0±.2	0±.2	0±.2	0±.2	0±.2	0±.2	0±.2	0±.2	0±.2
dr	M. FETROW	7/20/95	eng	L. FYE	7/20/95	appd	L. FYE	7/20/95	appd	L. FYE	7/20/95	appd
sheet	revision	sheet	revision	sheet	revision	sheet	revision	sheet	revision	sheet	revision	sheet
index	revision	index	revision	index	revision	index	revision	index	revision	index	revision	index

dwg no	68210	sheet 2 of 4 size	A3
type	Product Customer Drawing		
vertical stacking 2-row header			
scale	2:1		
product family	HEADERS		

PRODUCT NO	NOTE 7
68210-XXXX	15u"/0.38u MIN Au OVER 50u"/1.27u MIN NI.
68210-033	15u"/0.38u MIN Au OVER 50u"/1.27u MIN NI.
68210-034	15u"/0.38u MIN Au OVER 50u"/1.27u MIN NI.
68533-XXX	120u"/3.05u MIN 93/7 SnPb OVER 50u"/1.27u MIN NI.
68583-XXX	30u"/0.76u MIN GXT OVER 50u"/1.27u MIN NI.
69205-XXX	15u"/0.38u MIN GXT OVER 50u"/1.27u MIN NI.
69667-XXX	30u"/0.76u MIN Au OVER 50u"/1.27u MIN NI.
69663-XXX	{ CONTACT: 15u"/0.38u Au OVER 50u"/1.27u NI. TAIL: 100u"/2.54u MIN Sn OVER 50u"/1.27u NI.
69667-XXX	{ CONTACT: 30u"/0.76u Au OVER 50u"/1.27u NI. TAIL: 100u"/2.54u MIN Sn OVER 50u"/1.27u NI.
89445-022	15u"/0.38u MIN Au OVER 50u"/1.27u MIN NI.
90045-XXX	{ CONTACT: 15u"/0.38u Au OVER 50u"/1.27u NI. TAIL: 100u"/2.54u MIN Sn OVER 50u"/1.27u NI.

mat'l code	NOTE 3 & 4	ltf	ecm no	dr	date	variances unless otherwise specified	JESD/J-STD	linear	0 ±.2	scale	2:1	product family	HEADERS
surface	ISO 802	ISO 603	ISO 603	ISO 603	ISO 603	ISO 603	ISO 603	linear	0 ±.2	scale	2:1	product family	HEADERS
tolerance	ISO 802	ISO 603	ISO 603	ISO 603	ISO 603	ISO 603	ISO 603	linear	0 ±.2	scale	2:1	product family	HEADERS
angles								linear	0 ±.2	scale	2:1	product family	HEADERS
angles								linear	0 ±.2	scale	2:1	product family	HEADERS
dr	M. FETROW	7/20/95										dwg no	68210
eng	L. FYE	7/20/95										type	Product Customer Drawing
appd	L. FYE	7/20/95										sheet	3 of 4 size
revision												index	A3
sheet													

PRODUCT NO	NOTE 7	SIZE	DIM "B"	DIM "C"	DIM "L"	TAIL LENGTH	MATING LENGTH	TOTAL PIN DIM "P"
68210-XXX	NOTE 1	NOTE 2	DIM "B" +1.30/3.30	DIM "B" +1.30/3.30	DIM "B" +2.10/5.33	DIM "B" +2.10/5.33	DIM "B" +1.03/2.62 MIN	2.75±.010 6.98±0.25
68210-033	2 x 15	1.400/35.56	1.53/38.9	1.61/40.9	3.76±0.20	3.76±0.20	2.75±.010 6.98±0.25	8.40/21.34
68210-034	2 x 25	2.400/60.96	2.53/64.3	2.61/66.3	1.48±.008 3.76±0.20	1.48±.008 3.76±0.20	2.75±.010 6.98±0.25	8.40/21.34
68533-XXX	NOTE 1	NOTE 2	DIM "B" +1.30/3.30	DIM "B" +1.30/3.30	DIM "B" +2.10/5.33	DIM "B" +2.10/5.33	DIM "B" +1.03/2.62 MIN	2.75±.010 6.98±0.25
68583-XXX							2.75±.010 6.98±0.25	8.10/20.57
69205-XXX							2.75±.010 6.98±0.25	8.10/20.57
69667-XXX							2.75±.010 6.98±0.25	8.10/20.57
69667-XXX							2.75±.010 6.98±0.25	8.10/20.57
69667-XXX	NOTE 1	NOTE 2	DIM "B" +1.30/3.30	DIM "B" +1.30/3.30	DIM "B" +2.10/5.33	DIM "B" +2.10/5.33	2.75±.010 6.98±0.25	8.10/20.57
89445-022	2 x 26	2.500/63.50	2.63/66.8	2.63/66.8	2.71/68.8	2.71/68.8	4.00±.010 10.16±0.25	9.35/23.75
90045-XXX	NOTE 1	NOTE 2	DIM "B" +1.30/3.30	DIM "B" +1.30/3.30	DIM "B" +2.10/5.33	DIM "B" +2.10/5.33	2.75±.010 6.98±0.25	8.10/20.57
90045-XXX	NOTE 1	NOTE 2	DIM "B" +1.30/3.30	DIM "B" +1.30/3.30	DIM "B" +2.10/5.33	DIM "B" +2.10/5.33	2.75±.010 6.98±0.25	8.10/20.57
90045-XXX	NOTE 1	NOTE 2	DIM "B" +1.30/3.30	DIM "B" +1.30/3.30	DIM "B" +2.10/5.33	DIM "B" +2.10/5.33	2.75±.010 6.98±0.25	8.10/20.57

mat'l code	NOTE 3 & 4	date	ecn no	dr	date	linear	angles	0±.2°	ISO 802	ISO 406	ISO 407	tolerance	projection	product family	HEADERS	title	VERTICAL STACKING 2-ROW HEADER	.755/19.18 W/O MOUNTING HOLES	sheet 4 of 4 size	68210	A3	Product Customer Drawing			
sheet	revision	sheet	revision	sheet	revision	sheet	revision	sheet	revision	sheet	revision	sheet	revision	sheet	revision	sheet	revision	sheet	revision	sheet	revision	sheet	revision	sheet	revision

X-ON Electronics

Largest Supplier of Electrical and Electronic Components

Click to view similar products for [Headers & Wire Housings](#) category:

Click to view products by [Amphenol](#) manufacturer:

Other Similar products are found below :

[95000-104TRLF](#) [10135584-644402LF](#) [DF62W-EP2022PCA](#) [95000-106TRLF](#) [DF62W-2022SCA](#) [DF62W-EP2022PC](#) [2203348](#) [DF62W-2022SC](#) [1084018](#) [1029039](#) [1084017](#) [802-10-012-10-002000](#) [1112640](#) [1112639](#) [000-34000](#) [0008550134](#) [0009482033](#) [0009507031](#) [57102-F02-18ULF](#) [57102-S06-03LF](#) [57202-S52-04LF](#) [PCN6-15S-2.5E](#) [0039019024](#) [58102-G61-06LF](#) [582553-1](#) [0009485154](#) [0009508121](#) [0022285053](#) [0050291907](#) [018731A](#) [LY20-4P-DT1-P1E-BR](#) [02.125.8002.8](#) [60101931](#) [60598-1 \(Cut Strip\)](#) [M1625-3R/100](#) [61062-3](#) [61082-181009](#) [CSU011177004](#) [636-1427](#) [638009-1](#) [641938-9](#) [641991-4](#) [644168-1](#) [644827-2](#) [647662-1](#) [65039-019ELF](#) [65692-001LF](#) [65781-018](#) [65781-047](#) [65817-002LF](#)