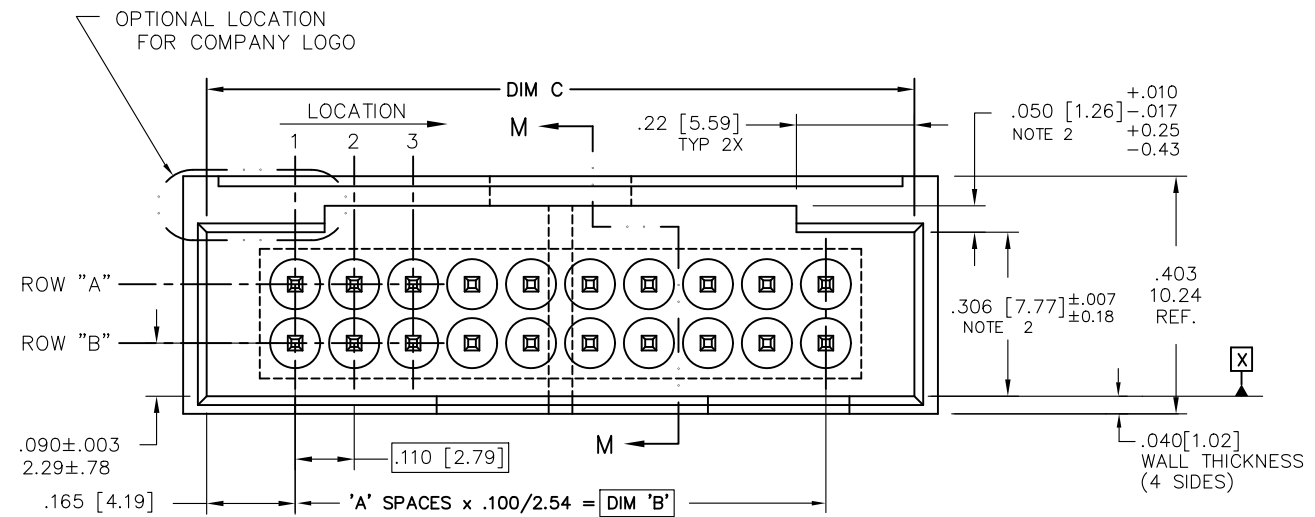
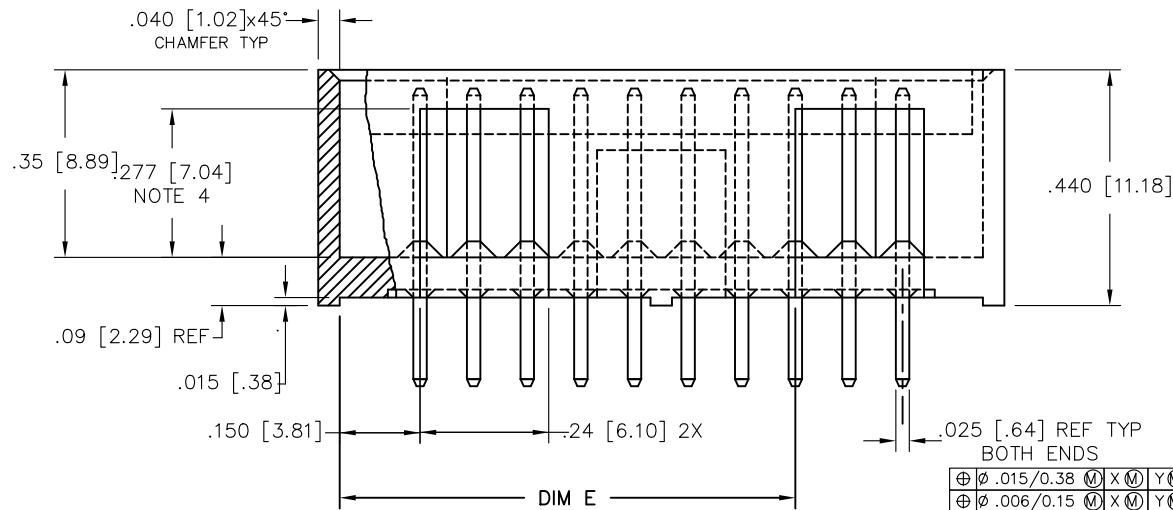


SECTION M-M



mat'l. code NOTES 2 & 3				surface ISO 1302 ✓		tolerance ISO 406 ISO 1101		projection ISO 1101		product family HEADER			
ltr	ecn no	dr	date	tolerances unless otherwise specified						title			
G	ELX-N-13978	DCS	2013-01-28	angles	linear	.XX±0.01/.X±.3		INCH/MM		STRAIGHT HEADER FOR FLAT CABLE RECEIPT			
H	ELX-N-32089	MZ	2018-11-28	0°±2'		.XXX±0.005/.XX±.13		scale 1:1		dwg no		sheet 1 of 4 size	
				dr	COPENHAVER	7/10/84		Amphenol FCI		68648		A3	
				enr	P.SMITH	4/10/85				type		Product Customer Drawing	
				chr	P.SMITH	4/10/85							
				appd	P.SMITH	4/10/85							
sheet	revision	H	H	H	H								
index	sheet	1	2	3	4								



VIEW G-G

⊕	∅ .015/0.38	M	X	M	Y	M	AT TIP, TYP.
⊕	∅ .006/0.15	M	X	M	Y	M	AT BASE, TYP.

NOTES:

- TERMINAL MATERIAL:
3/4 HARD PHOS BRONZE ALLOY UNS-C51000
- TERMINAL PLATING:
(1) 30μ"/0.76μ AU OR GXT over 50μ"/1.27μ NICKEL ON SWAGED TIPS AT MFG. OPTION
(2) 30μ"/0.76μ AU over 50μ"/1.27μ NICKEL ON SWAGED TIPS AT MFG. OPTION
- MOLDING MAT'L:
GLASS-FILLED POLYESTER, FLAME RETARDENT PER UL94V-0, COLOR: BLACK
- .020/0.51 MAX FLASH PERMISSIBLE AROUND ALL WINDOWS
- COMPANY LOGO TO BE MOLDED IN ON DATUM SURFACE [Z] APPROXIMATELY AS SHOWN
- .030/0.76 MAX FLASH PERMISSIBLE ON PINS (BOTH SIDES)
- OTHER PLATINGS ARE AVAILABLE ON 68419 & 68649. END OF PINS
- .015/0.38 MAX FLASH PERMISSIBLE ON THIS END OF PINS.
- ADD "LF" SUFFIX AT THE END OF PART NUMBER FOR LEAD FREE OPTION
- THIS PRODUCT MEETS EUROPEAN UNION DIRECTIVES AND OTHER COUNTRY REGULATION AS DESCRIBED IN GS-22-008.
- THE HOUSING WILL WITHSTAND EXPOSURE TO 260°C PEAK TEMPERATURE FOR 15 SECONDS IN A WAVE SOLDER APPLICATION WITH A 1.5mm MINIMUM THICK CIRCUIT BOARD. SEE APPLICATION NOTES/PROCEDURES IF THEY ARE AVAILABLE.

Amphenol FCI
 © 2016 AFCI

mat'l. code NOTES 2 & 3		surface ISO 1302 ✓	tolerance ISO 406 ISO 1101	projection 	product family HEADER
ltr	ecn no	dr	date	tolerances unless otherwise specified	title
H				angles linear 0±2'	STRAIGHT HEADER FOR FLAT CABLE RECEIPT
				dr COPENHAVER 7/10/84	dwg no 68648 sheet 2 of 4 size A3
				enr P.SMITH 4/10/85	type Product Customer Drawing
				chr P.SMITH 4/10/85	
				appd P.SMITH 4/10/85	
sheet	revision				
index	sheet				

PRODUCT NO	NO.OF	DIM C	DIM C	DIM B	DIM B	DIM D	DIM D	DIM E	DIM E	DIM H	DIM H	"A"	PLATING CODE		
NOTE 10	POS.	ENGLISH	METRIC	ENGLISH	METRIC	ENGLISH	METRIC	ENGLISH	METRIC	ENGLISH	METRIC	SPACES			
68648-001	6	0.500	12.70	0.200	5.08	0.150	3.81	0.000	0.00	0.130	3.30	2	SEE NOTE 2 (1)	-	-
68648-002	8	0.600	15.24	0.300	7.62	0.150	3.81	0.000	0.00	0.130	3.30	3	SEE NOTE 2 (1)	-	-
68648-003	10	0.700	17.78	0.400	10.16	0.250	6.35	0.000	0.00	0.130	3.30	4	SEE NOTE 2 (1)	-	-
68648-004	12	0.800	20.32	0.500	12.70	0.250	6.35	0.000	0.00	0.130	3.30	5	SEE NOTE 2 (1)	-	-
68648-005	14	0.900	22.86	0.600	15.24	0.350	8.89	0.000	0.00	0.130	3.30	6	SEE NOTE 2 (1)	-	-
68648-006	16	1.000	25.40	0.700	17.78	0.350	8.89	0.000	0.00	0.130	3.30	7	SEE NOTE 2 (1)	-	-
68648-007	18	1.100	27.94	0.800	20.32	0.450	11.43	0.000	0.00	0.130	3.30	8	SEE NOTE 2 (1)	-	-
68648-008	20	1.200	30.48	0.900	22.86	0.150	3.81	0.850	21.59	0.130	3.30	9	SEE NOTE 2 (1)	-	-
68648-009	22	1.300	33.02	1.000	25.40	0.150	3.81	0.950	24.13	0.130	3.30	10	SEE NOTE 2 (1)	-	-
68648-010	24	1.400	35.56	1.100	27.94	0.150	3.81	1.050	26.67	0.130	3.30	11	SEE NOTE 2 (1)	-	-
68648-011	26	1.500	38.10	1.200	30.48	0.150	3.81	1.150	29.21	0.130	3.30	12	SEE NOTE 2 (1)	-	-
68648-012	28	1.600	4.064	1.300	33.02	0.150	3.81	1.250	31.75	0.130	3.30	13	SEE NOTE 2 (1)	-	-
68648-013	30	1.700	43.18	1.400	35.56	0.150	3.81	1.350	34.29	0.130	3.30	14	SEE NOTE 2 (1)	-	-
68648-014	32	1.800	45.72	1.500	38.10	0.150	3.81	1.450	36.83	0.130	3.30	15	SEE NOTE 2 (1)	-	-
68648-015	34	1.900	48.26	1.600	40.64	0.150	3.81	1.550	39.37	0.130	3.30	16	SEE NOTE 2 (1)	-	-
68648-016	36	2.000	50.81	1.700	43.18	0.150	3.81	1.650	41.91	0.130	3.30	17	SEE NOTE 2 (1)	-	-
68648-017	38	2.100	53.34	1.800	45.72	0.150	3.81	1.750	44.45	0.130	3.30	18	SEE NOTE 2 (1)	-	-
68648-018	40	2.200	55.88	1.900	48.26	0.150	3.81	1.850	46.99	0.130	3.30	19	SEE NOTE 2 (1)	-	-
68648-019	42	2.300	58.42	2.000	50.80	0.150	3.81	1.950	49.53	0.130	3.30	20	SEE NOTE 2 (1)	-	-
68648-020	44	2.400	60.96	2.100	53.34	0.150	3.81	2.050	52.07	0.130	3.30	21	SEE NOTE 2 (1)	-	-
68648-021	46	2.500	63.50	2.200	55.88	0.150	3.81	2.150	54.61	0.130	3.30	22	SEE NOTE 2 (1)	-	-
68648-022	48	2.600	66.04	2.300	58.42	0.150	3.81	2.250	57.15	0.130	3.30	23	SEE NOTE 2 (1)	-	-
68648-023	50	2.700	68.58	2.400	60.96	0.150	3.81	2.350	59.69	0.130	3.30	24	SEE NOTE 2 (1)	-	-
68648-024	52	2.800	71.12	2.500	63.50	0.150	3.81	2.450	62.23	0.130	3.30	25	SEE NOTE 2 (1)	-	-
68648-025	54	2.900	73.66	2.600	66.04	0.150	3.81	2.550	64.77	0.130	3.30	26	SEE NOTE 2 (1)	-	-
68648-026	56	3.000	76.20	2.700	68.58	0.150	3.81	2.650	67.31	0.130	3.30	27	SEE NOTE 2 (1)	-	-
68648-027	58	3.100	78.74	2.800	71.12	0.150	3.81	2.750	69.85	0.130	3.30	28	SEE NOTE 2 (1)	-	-
68648-028	60	3.200	81.28	2.900	73.66	0.150	3.81	2.850	72.39	0.130	3.30	29	SEE NOTE 2 (1)	-	-
68648-029	62	3.300	83.82	3.000	76.20	0.150	3.81	2.950	74.93	0.130	3.30	30	SEE NOTE 2 (1)	-	-
68648-030	64	3.400	86.36	3.100	78.74	0.150	3.81	3.050	77.47	0.130	3.30	31	SEE NOTE 2 (1)	-	-

Amphenol FCI
 © 2016 AFCI

mat'l. code NOTES 2 & 3				surface ISO 1302 <input checked="" type="checkbox"/> ISO 406 ISO 1101		tolerance ISO 406 ISO 1101		projection 		product family HEADER			
ltr	ecn no	dr	date	tolerances unless otherwise specified									
H				angles	linear		.XX±0.01/.X±.3 .XXX±0.005/.XX±.13 .XXXX±0.0020/.XXX±.051		INCH/MM ←		title STRAIGHT HEADER FOR FLAT CABLE RECEIPT		
				0±2'					scale 1:1		dwg no 68648		
				dr	COPENHAVER	7/10/84		Amphenol FCI		sheet 3 of 4		size A3	
				enr	P.SMITH	4/10/85				type Product Customer		Drawing	
				chr	P.SMITH	4/10/85							
				appd	P.SMITH	4/10/85							
sheet	revision												
index	sheet												

PRODUCT NO	NO.OF PINS	DIM C		DIM B		REAR SLOT WIDTH				DIM H		'A' SPACES	PLATING CODE	-	-
		ENGLISH	METRIC	ENGLISH	METRIC	ENGLISH	METRIC	ENGLISH	METRIC	ENGLISH	METRIC				
68648-031	66	3.500	88.90	3.200	81.28	0.150	3.81	3.150	80.01	0.130	3.30	32	SEE NOTE 2 (1)	-	-
68648-032	68	3.600	91.44	3.300	83.82	0.150	3.81	3.250	82.55	0.130	3.30	33	SEE NOTE 2 (1)	-	-
68648-033	70	3.700	93.98	3.400	86.36	0.150	3.81	3.350	85.09	0.130	3.30	34	SEE NOTE 2 (1)	-	-
68648-034	72	3.800	96.52	3.500	88.90	0.150	3.81	3.450	87.63	0.130	3.30	35	SEE NOTE 2 (1)	-	-
68648-035	10	0.700	17.78	0.400	10.16	0.250	6.35	0.000	0.00	0.155	3.94	4	SEE NOTE 2 (1)	-	-
68648-036	14	0.900	22.86	0.600	15.24	0.350	8.89	0.000	0.00	0.155	3.94	6	SEE NOTE 2 (1)	-	-
68648-037	20	1.200	30.48	0.900	22.86	0.150	3.81	0.850	21.59	0.155	3.94	9	SEE NOTE 2 (1)	-	-
68648-038	26	1.500	38.10	1.200	30.48	0.150	3.81	1.150	29.21	0.155	3.94	12	SEE NOTE 2 (1)	-	-
68648-039	32	1.800	45.72	1.500	38.10	0.150	3.81	1.450	36.83	0.155	3.94	15	SEE NOTE 2 (1)	-	-
68648-040	40	2.200	55.88	1.900	48.26	0.150	3.81	1.850	46.99	0.155	3.94	19	SEE NOTE 2 (1)	-	-
68648-041	50	2.700	68.58	2.400	60.96	0.150	3.81	2.350	59.69	0.155	3.94	24	SEE NOTE 2 (1)	-	-
68648-042	I N A C T I V E														
68648-043	I N A C T I V E														
68648-044	I N A C T I V E														
68648-045	8	0.600	15.24	0.300	7.62	0.150	3.81	0.000	0.00	0.130	3.30	3	SEE NOTE 2 (2)	-	-
68648-046	10	0.700	17.78	0.400	10.16	0.250	6.35	0.000	0.00	0.130	3.30	4	SEE NOTE 2 (2)	-	-
68648-047	14	0.900	22.86	0.600	15.24	0.350	8.89	0.000	0.00	0.130	3.30	6	SEE NOTE 2 (2)	-	-
68648-048	16	1.000	25.40	0.700	17.78	0.350	8.89	0.000	0.00	0.130	3.30	7	SEE NOTE 2 (2)	-	-
68648-049	20	1.200	30.48	0.900	22.86	0.150	3.81	0.850	21.59	0.130	3.30	9	SEE NOTE 2 (2)	-	-
68648-050	22	1.300	33.02	1.000	25.40	0.150	3.81	0.950	24.13	0.130	3.30	10	SEE NOTE 2 (2)	-	-
68648-051	24	1.400	35.56	1.100	27.94	0.150	3.81	1.050	26.67	0.130	3.30	11	SEE NOTE 2 (2)	-	-
68648-052	26	1.500	38.10	1.200	30.48	0.150	3.81	1.150	29.21	0.130	3.30	12	SEE NOTE 2 (2)	-	-
68648-053	34	1.900	48.26	1.600	40.64	0.150	3.81	1.550	39.37	0.130	3.30	16	SEE NOTE 2 (2)	-	-
68648-054	40	2.200	55.88	1.900	48.26	0.150	3.81	1.850	46.99	0.130	3.30	19	SEE NOTE 2 (2)	-	-
68648-055	50	2.700	68.58	2.400	60.96	0.150	3.81	2.350	59.69	0.130	3.30	24	SEE NOTE 2 (2)	-	-
68648-056	12	0.800	20.32	0.500	12.70	0.250	6.35	0.000	0.00	0.130	3.30	5	SEE NOTE 2 (2)	-	-
68648-057	6	0.500	12.70	0.200	5.08	0.150	3.81	0.000	0.00	0.130	3.30	2	SEE NOTE 2 (2)	-	-
68648-058	30	1.700	43.18	1.400	35.56	0.150	3.81	1.350	34.29	0.130	3.30	14	SEE NOTE 2 (2)	-	-
68648-059	24	1.400	35.56	1.100	27.94	0.150	3.81	1.050	26.67	0.205	5.21	11	SEE NOTE 2 (2)	-	-
68648-060	50	2.700	68.58	2.400	60.96	0.150	3.81	2.350	59.69	0.205	5.21	24	SEE NOTE 2 (2)	-	-

Amphenol FCI

© 2016 AFCI

mat'l. code NOTES 2 & 3		surface ISO 1302 ✓		tolerance ISO 400 ISO 1101		projection 		product family HEADER	
ltr	ecn no	dr	date	tolerances unless otherwise specified		title		sheet 4 of 4 size	
H				angles	linear	INCH/MM		68648 A3	
				0±2'	.XX±0.01/.X±.3 .XXX±0.005/.XX±.13 .XXXX±0.0020/.XXX±.051	scale 1:1		dwg no	
		dr	COPENHAVER	7/10/84	Amphenol FCI		type Product Customer Drawing		
		enr	P.SMITH	4/10/85					
		chr	P.SMITH	4/10/85					
		appd	P.SMITH	4/10/85					
sheet index	revision sheet								

X-ON Electronics

Largest Supplier of Electrical and Electronic Components

Click to view similar products for [Headers & Wire Housings](#) category:

Click to view products by [Amphenol](#) manufacturer:

Other Similar products are found below :

[892-18-020-10-001101](#) [58102-G61-06LF](#) [582553-1](#) [0009485154](#) [009176003701906](#) [0050291907](#) [LY20-4P-DT1-P1E-BR](#) [02.125.8002.8](#)
[609-3404](#) [61062-3](#) [622-0430](#) [622-3653LF](#) [63453-116](#) [636-1030](#) [636-1427](#) [636-3427](#) [636-4007](#) [641938-9](#) [641991-4](#) [644827-2](#) [65817-010LF](#)
[65817-015LF](#) [65863-015LF](#) [66207-023LF](#) [67095-007LF](#) [67601157](#) [68648-049](#) [70.362.1628.0](#) [70-4210](#) [70-4226B](#) [70-4853B](#) [707-5020](#) [707-](#)
[5028](#) [71.350.2428.0](#) [71918-208LF](#) [71961-016LF](#) [733-134](#) [733-162](#) [754199-000](#) [760-3052](#) [787-8014-00](#) [79531-3000](#) [FCN-360C032-B](#) [FCN-](#)
[367T-T012/H](#) [FCN-723D010/2](#) [80.063.4001.1](#) [800-90-001-10-001000](#) [800-90-010-10-002000](#) [801-43-002-10-013000](#) [801-43-006-10-002000](#)