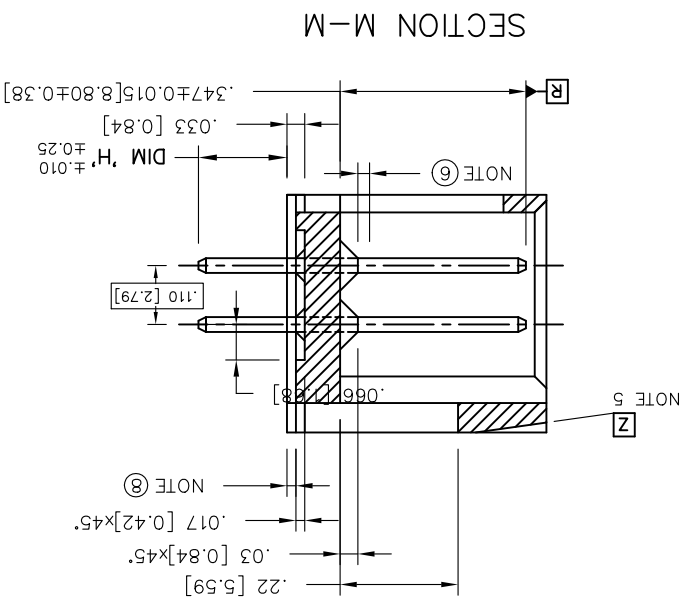
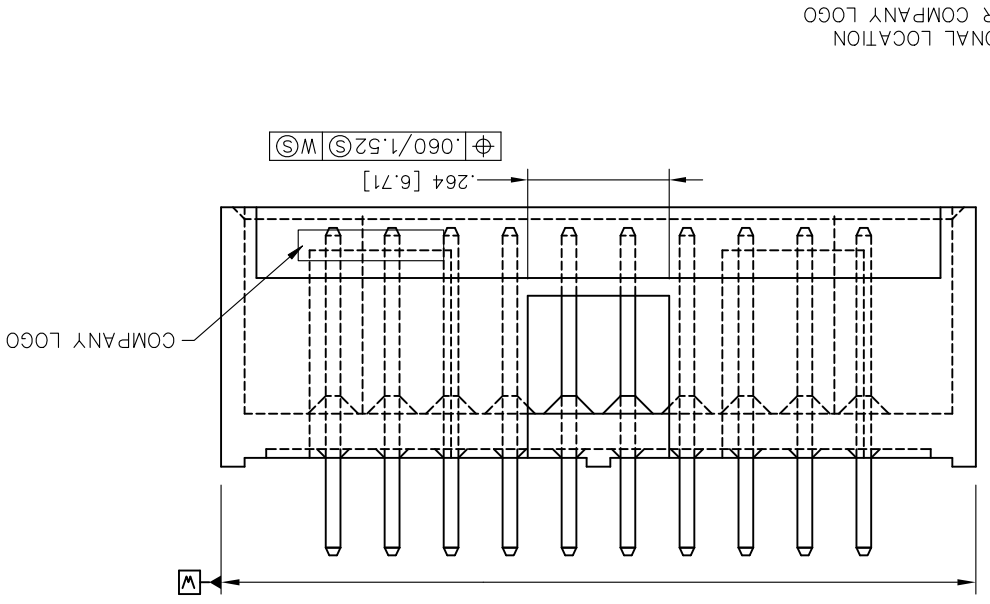
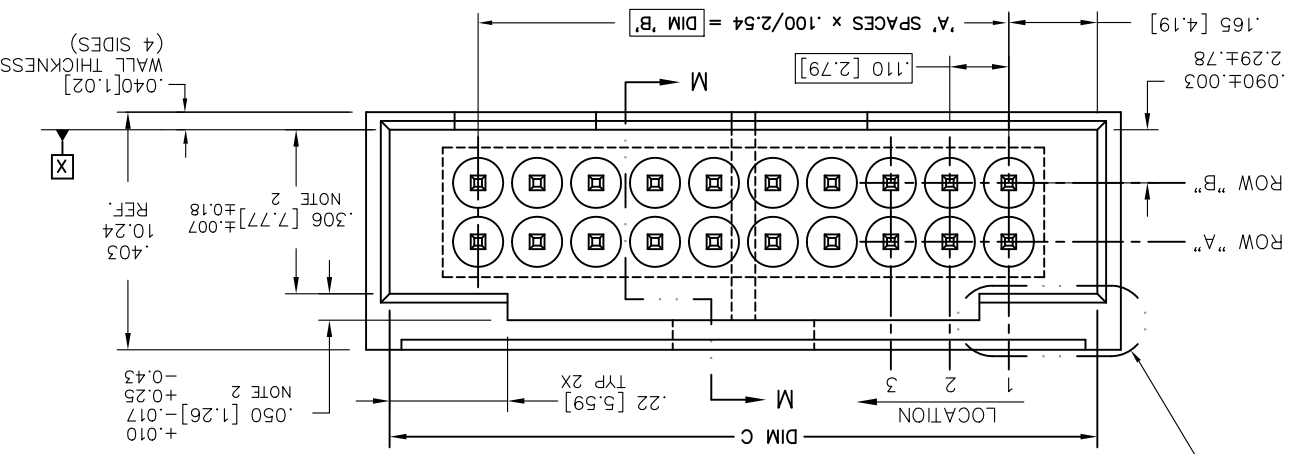


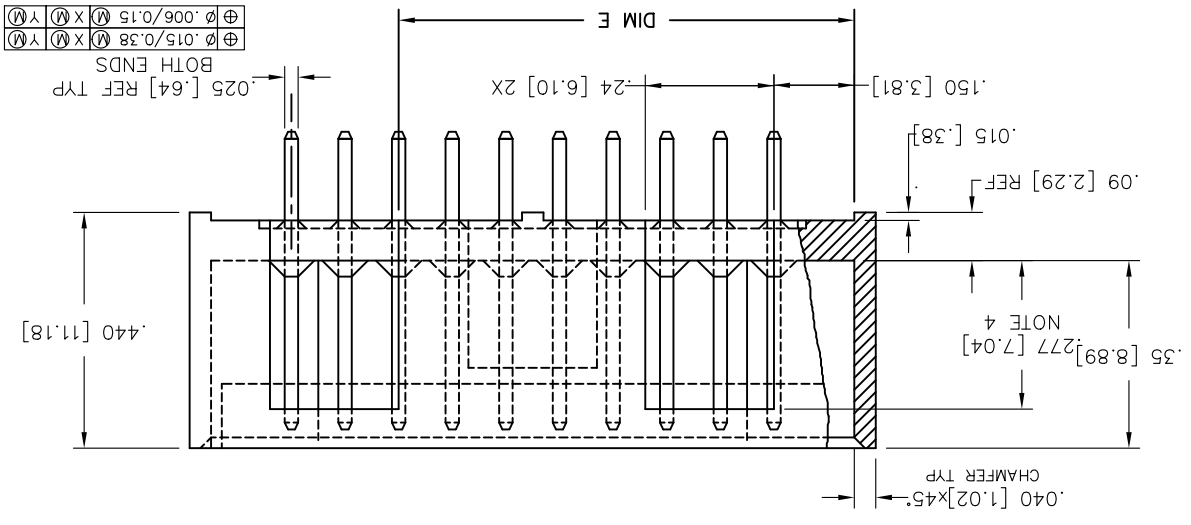
mat'l. code	NOTES 2 & 3	date	ecn no	dr	tolerances unless otherwise specified	ISO 406	projection	product family
G	ELX-N-13978 DCS	2013-01-28			xxxx.01/xx.x3	ISO 1101	INCH/MM	HEADER
H	ELX-N-32089 MZ	2018-11-28			xxxx.0005/xx.x.13	ISO 1302	INCH/MM	FLAT CABLE RECEIPT
		07.27			xxxxx.0020/xxxx.051		SCALE 1:1	
dr	COPENHAVEN	7/10/84						
engr	P.SMITH	4/10/85						
chr	P.SMITH	4/10/85						
pppd	P.SMITH	4/10/85						
revision			H	H				
sheet			1	2				
index			3	4				
		type		Product Customer		Drawing		
		dwg no		sheet 1 of 4 size		A3		
		68648						



NOTES:

- 1 TERMINAL MATERIAL: 3/4 HARD PHOS BRONZE ALLOY UNS-C51000
- 2 TERMINAL PLATING:
(1) 30µ"/0.76µ AU OR GXT over 50µ"/1.27µ NICKEL
(2) 30µ"/0.76µ AU over 50µ"/1.27µ NICKEL
ON SWAGED TIPS AT MFG. OPTION
- 3 MOLDING MAT'L: GLASS-FILLED POLYESTER, FLAME RETARDENT PER UL94V-0, COLOR: BLACK
- 4 .020/0.51 MAX FLASH PERMISSIBLE AROUND ALL WINDOWS
- 5 COMPANY LOGO TO BE MOLDED IN ON DATUM SURFACE [Z] APPROXIMATELY AS SHOWN
- 6 .030/0.76 MAX FLASH PERMISSIBLE ON PINS (BOTH SIDES)
- 7 OTHER PLATING ARE AVAILABLE ON 68419 & 68649. END OF PINS
- 8 .015/0.38 MAX FLASH PERMISSIBLE ON THIS END OF PINS.

VIEW G-G



⊕ .015/0.38 (M) X (M) Y (M) AT TIP, TYP.
 ⊕ .006/0.15 (M) X (M) Y (M) AT BASE, TYP.

- 09. ADD "LF" SUFFIX AT THE END OF PART NUMBER FOR LEAD FREE OPTION
- 10. THIS PRODUCT MEETS EUROPEAN UNION DIRECTIVES AND OTHER COUNTRY REGULATION AS DESCRIBED IN GS-22-008.
- 11. THE HOUSING WILL WITHSTAND EXPOSURE TO 260°C PEAK TEMPERATURE FOR 15 SECONDS IN A WAVE SOLDER APPLICATION WITH A 1.5mm MINIMUM THICK CIRCUIT BOARD. SEE APPLICATION NOTES/PROCEDURES IF THEY ARE AVAILABLE.

mat'l. code	NOTES 2 & 3	surface	ISO 1302	tolerance	ISO 406	ISO 1101	projection	product family	HEADER		
lit	ecm no	dr	date	tolerances unless otherwise specified	xxxx.01/xx.3	xxxx.005/xx.13	inchr	xxxx.0020/xxxx.051	07.2		
angles											
dr	COPENHAVEN	7/10/84	engr	P.SMITH	4/10/85	chr	P.SMITH	4/10/85	ppd	P.SMITH	4/10/85
revision											
sheet											
index											

dwg no	68648	sheet 2 of 4	size	A3
type	Product Customer	Drawing		
title	STRAIGHT HEADER FOR FLAT CABLE RECEPT			
scale	1:1			
product family	HEADER			

PRODUCT NO	NO.OF	DIM C	DIM B	DIM D	DIM D	DIM D	DIM D	DIM E	DIM E	DIM H	DIM H	DIM H	DIM H	PLATING CODE
NOTE 10	POS.	ENGLISH	METRIC	ENGLISH	METRIC	ENGLISH	METRIC	ENGLISH	METRIC	ENGLISH	METRIC	ENGLISH	METRIC	SPACES
68648-001	6	0.500	12.70	0.200	5.08	0.150	3.81	0.000	0.000	0.130	3.30	SEE NOTE 2 (1)	2	
68648-002	8	0.600	15.24	0.300	7.62	0.150	3.81	0.000	0.000	0.130	3.30	SEE NOTE 2 (1)	3	
68648-003	10	0.700	17.78	0.400	10.16	0.250	6.35	0.000	0.000	0.130	3.30	SEE NOTE 2 (1)	4	
68648-004	12	0.800	20.32	0.500	12.70	0.250	6.35	0.000	0.000	0.130	3.30	SEE NOTE 2 (1)	5	
68648-005	14	0.900	22.86	0.600	15.24	0.350	8.89	0.000	0.000	0.130	3.30	SEE NOTE 2 (1)	6	
68648-006	16	1.000	25.40	0.700	17.78	0.350	8.89	0.000	0.000	0.130	3.30	SEE NOTE 2 (1)	7	
68648-007	18	1.100	27.94	0.800	20.32	0.450	11.43	0.000	0.000	0.130	3.30	SEE NOTE 2 (1)	8	
68648-008	20	1.200	30.48	0.900	22.86	0.150	3.81	0.850	21.59	0.130	3.30	SEE NOTE 2 (1)	9	
68648-009	22	1.300	33.02	1.000	25.40	0.150	3.81	0.950	24.13	0.130	3.30	SEE NOTE 2 (1)	10	
68648-010	24	1.400	35.56	1.100	27.94	0.150	3.81	1.050	26.67	0.130	3.30	SEE NOTE 2 (1)	11	
68648-011	26	1.500	38.10	1.200	30.48	0.150	3.81	1.150	29.21	0.130	3.30	SEE NOTE 2 (1)	12	
68648-012	28	1.600	40.64	1.300	33.02	0.150	3.81	1.250	31.75	0.130	3.30	SEE NOTE 2 (1)	13	
68648-013	30	1.700	43.18	1.400	35.56	0.150	3.81	1.350	34.29	0.130	3.30	SEE NOTE 2 (1)	14	
68648-014	32	1.800	45.72	1.500	38.10	0.150	3.81	1.450	36.83	0.130	3.30	SEE NOTE 2 (1)	15	
68648-015	34	1.900	48.26	1.600	40.64	0.150	3.81	1.550	39.37	0.130	3.30	SEE NOTE 2 (1)	16	
68648-016	36	2.000	50.81	1.700	43.18	0.150	3.81	1.650	41.91	0.130	3.30	SEE NOTE 2 (1)	17	
68648-017	38	2.100	53.34	1.800	45.72	0.150	3.81	1.750	44.45	0.130	3.30	SEE NOTE 2 (1)	18	
68648-018	40	2.200	55.88	1.900	48.26	0.150	3.81	1.850	46.99	0.130	3.30	SEE NOTE 2 (1)	19	
68648-019	42	2.300	58.42	2.000	50.80	0.150	3.81	1.950	49.53	0.130	3.30	SEE NOTE 2 (1)	20	
68648-020	44	2.400	60.96	2.100	53.34	0.150	3.81	2.050	52.07	0.130	3.30	SEE NOTE 2 (1)	21	
68648-021	46	2.500	63.50	2.200	55.88	0.150	3.81	2.150	54.61	0.130	3.30	SEE NOTE 2 (1)	22	
68648-022	48	2.600	66.04	2.300	58.42	0.150	3.81	2.250	57.15	0.130	3.30	SEE NOTE 2 (1)	23	
68648-023	50	2.700	68.58	2.400	60.96	0.150	3.81	2.350	59.69	0.130	3.30	SEE NOTE 2 (1)	24	
68648-024	52	2.800	71.12	2.500	63.50	0.150	3.81	2.450	62.23	0.130	3.30	SEE NOTE 2 (1)	25	
68648-025	54	2.900	73.66	2.600	66.04	0.150	3.81	2.550	64.77	0.130	3.30	SEE NOTE 2 (1)	26	
68648-026	56	3.000	76.20	2.700	68.58	0.150	3.81	2.650	67.31	0.130	3.30	SEE NOTE 2 (1)	27	
68648-027	58	3.100	78.74	2.800	71.12	0.150	3.81	2.750	69.85	0.130	3.30	SEE NOTE 2 (1)	28	
68648-028	60	3.200	81.28	2.900	73.66	0.150	3.81	2.850	72.39	0.130	3.30	SEE NOTE 2 (1)	29	
68648-029	62	3.300	83.82	3.000	76.20	0.150	3.81	2.950	74.93	0.130	3.30	SEE NOTE 2 (1)	30	
68648-030	64	3.400	86.36	3.100	78.74	0.150	3.81	3.050	77.47	0.130	3.30	SEE NOTE 2 (1)	31	

mat'l. code NOTES 2 & 3

surface ISO 1302

tolerance ISO 406

ISO 1101

projection

product family HEADER

title STRAIGHT HEADER FOR FLAT CABLE RECEPT

dwg no 68648

sheet 3 of 4 size A3

Amphenol FCI

type Product Customer Drawing

index sheet

revision

sheet

litr ecn no dr date

tolerances unless otherwise specified

inches

mm

inches

mm

scale 1:1

07.2

xxxx.01/xx.3

xxxx.0005/xx.13

xxxx.0020/xxxx.051

dr COPENHAVER 7/10/84

engr P.SMITH 4/10/85

chr P.SMITH 4/10/85

ppd P.SMITH 4/10/85

PRODUCT NO	NO.OF	DIM C	DIM B	DIM D	DIM D	DIM D	DIM E	DIM H	DIM H	DIM H	DIM H	DIM H	PLATING CODE
NOTE 10	PINS	ENGLISH	METRIC	ENGLISH	METRIC	ENGLISH	METRIC	ENGLISH	METRIC	ENGLISH	METRIC	ENGLISH	SPACES
'A'													
68648-031	66	3.500	88.90	3.200	81.28	0.150	3.81	3.150	80.01	0.130	3.30	SEE NOTE 2 (1)	-
68648-032	68	3.600	91.44	3.300	83.82	0.150	3.81	3.250	82.55	0.130	3.30	SEE NOTE 2 (1)	-
68648-033	70	3.700	93.98	3.400	86.36	0.150	3.81	3.350	85.09	0.130	3.30	SEE NOTE 2 (1)	-
68648-034	72	3.800	96.52	3.500	88.90	0.150	3.81	3.450	87.63	0.130	3.30	SEE NOTE 2 (1)	-
68648-035	10	0.700	17.78	0.400	10.16	0.250	6.35	0.000	0.00	0.155	3.94	SEE NOTE 2 (1)	-
68648-036	14	0.900	22.86	0.600	15.24	0.350	8.89	0.000	0.00	0.155	3.94	SEE NOTE 2 (1)	-
68648-037	20	1.200	30.48	0.900	22.86	0.150	3.81	0.850	21.59	0.155	3.94	SEE NOTE 2 (1)	-
68648-038	26	1.500	38.10	1.200	30.48	0.150	3.81	1.150	29.21	0.155	3.94	SEE NOTE 2 (1)	-
68648-039	32	1.800	45.72	1.500	38.10	0.150	3.81	1.450	36.83	0.155	3.94	SEE NOTE 2 (1)	-
68648-040	40	2.200	55.88	1.900	48.26	0.150	3.81	1.850	46.99	0.155	3.94	SEE NOTE 2 (1)	-
68648-041	50	2.700	68.58	2.400	60.96	0.150	3.81	2.350	59.69	0.155	3.94	SEE NOTE 2 (1)	-
68648-042													
68648-043													
68648-044													
68648-045	8	0.600	15.24	0.300	7.62	0.150	3.81	0.000	0.00	0.130	3.30	SEE NOTE 2 (2)	-
68648-046	10	0.700	17.78	0.400	10.16	0.250	6.35	0.000	0.00	0.130	3.30	SEE NOTE 2 (2)	-
68648-047	14	0.900	22.86	0.600	15.24	0.350	8.89	0.000	0.00	0.130	3.30	SEE NOTE 2 (2)	-
68648-048	16	1.000	25.40	0.700	17.78	0.350	8.89	0.000	0.00	0.130	3.30	SEE NOTE 2 (2)	-
68648-049	20	1.200	30.48	0.900	22.86	0.150	3.81	0.850	21.59	0.130	3.30	SEE NOTE 2 (2)	-
68648-050	22	1.300	33.02	1.000	25.40	0.150	3.81	0.950	24.13	0.130	3.30	SEE NOTE 2 (2)	-
68648-051	24	1.400	35.56	1.100	27.94	0.150	3.81	1.050	26.67	0.130	3.30	SEE NOTE 2 (2)	-
68648-052	26	1.500	38.10	1.200	30.48	0.150	3.81	1.150	29.21	0.130	3.30	SEE NOTE 2 (2)	-
68648-053	34	1.900	48.26	1.600	40.64	0.150	3.81	1.550	39.37	0.130	3.30	SEE NOTE 2 (2)	-
68648-054	40	2.200	55.88	1.900	48.26	0.150	3.81	1.850	46.99	0.130	3.30	SEE NOTE 2 (2)	-
68648-055	50	2.700	68.58	2.400	60.96	0.150	3.81	2.350	59.69	0.130	3.30	SEE NOTE 2 (2)	-
68648-056	12	0.800	20.32	0.500	12.70	0.250	6.35	0.000	0.00	0.130	3.30	SEE NOTE 2 (2)	-
68648-057	6	0.500	12.70	0.200	5.08	0.150	3.81	0.000	0.00	0.130	3.30	SEE NOTE 2 (2)	-
68648-058	30	1.700	43.18	1.400	35.56	0.150	3.81	1.350	34.29	0.130	3.30	SEE NOTE 2 (2)	-
68648-059	24	1.400	35.56	1.100	27.94	0.150	3.81	1.050	26.67	0.205	5.21	SEE NOTE 2 (2)	-
68648-060	50	2.700	68.58	2.400	60.96	0.150	3.81	2.350	59.69	0.205	5.21	SEE NOTE 2 (2)	-

mat'l. code NOTES 2 & 3

surface ISO 1302

tolerance ISO 406

ISO 1101

projection

product family HEADER

title STRAIGHT HEADER FOR FLAT CABLE RECEIPT

scale 1:1

inches

mm

tolerances unless otherwise specified

xxxx.001/xx.3

xxxx.005/xx.13

xxxx.0020/xxxx.051

angles

in

dr

date

07.27

dr

COPENHAVEN

7/10/84

engr

P.SMITH

4/10/85

chr

P.SMITH

4/10/85

pppd

P.SMITH

4/10/85

sheet revision

index sheet

type Product Customer Drawing

dwg no 68648

sheet 4 of 4 size A3

X-ON Electronics

Largest Supplier of Electrical and Electronic Components

Click to view similar products for [Headers & Wire Housings](#) category:

Click to view products by [Amphenol](#) manufacturer:

Other Similar products are found below :

[95000-104TRLF](#) [10135584-644402LF](#) [DF62W-EP2022PCA](#) [95000-106TRLF](#) [DF62W-2022SCA](#) [DF62W-EP2022PC](#) [2203348](#) [DF62W-2022SC](#) [1084018](#) [1029039](#) [1084017](#) [802-10-012-10-002000](#) [1112640](#) [1112639](#) [000-34000](#) [0008550134](#) [0009482033](#) [0009507031](#) [57102-F02-18ULF](#) [57102-S06-03LF](#) [57202-S52-04LF](#) [PCN6-15S-2.5E](#) [0039019024](#) [58102-G61-06LF](#) [582553-1](#) [0009485154](#) [0009508121](#) [009176003701906](#) [0022285053](#) [0050291907](#) [018731A](#) [LY20-4P-DT1-P1E-BR](#) [02.125.8002.8](#) [60101931](#) [60598-1 \(Cut Strip\)](#) [M1625-3R/100](#) [61062-3](#) [61082-181009](#) [CSU011177004](#) [636-1427](#) [638009-1](#) [641938-9](#) [641991-4](#) [644168-1](#) [644827-2](#) [647662-1](#) [65039-019ELF](#) [65692-001LF](#) [65781-018](#) [65781-047](#)