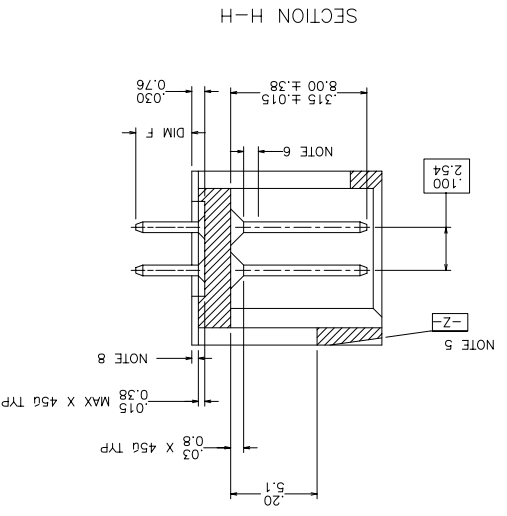
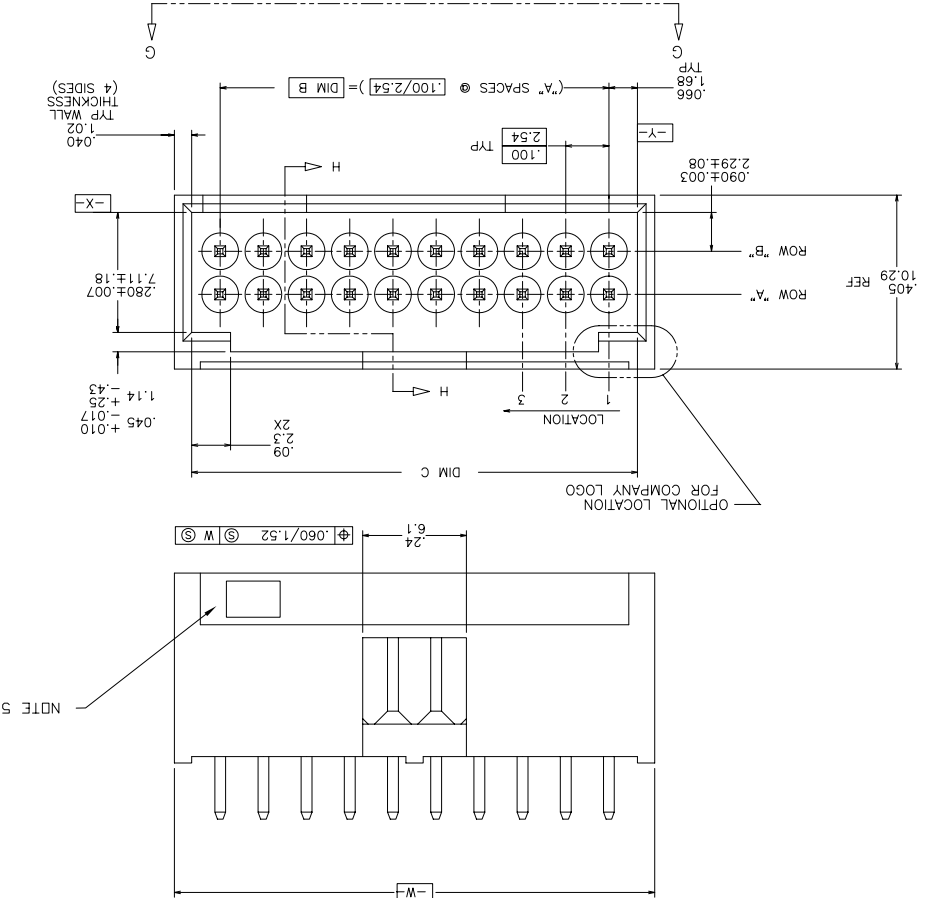


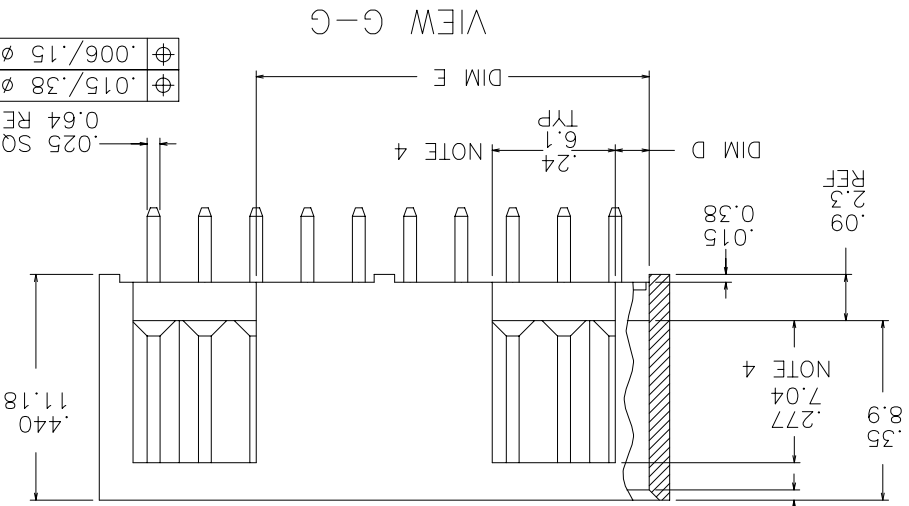
PRODUCT NUMBER  
SEE TABLE



mat'l. code		NOTE 1 & 3		ISO 1302		surface		tolerance		projection		product family		HEADER			
itr		ecn no		dr		date		tolerances unless otherwise specified		title		INCH/MM		scale 2.5:1			
B	V00853	MRC	9/18/90	angles	XXX±.01/XX±0.3	inclin	XXX±.005/XX±0.13	XXXX±.002/XXX±0.051		ROUND WIRE RECEPTACLE		sheet 1 of 6 size		A3			
C	V70775	SAR	6/2/97	0°±.2					FCI		68664		sheet revision		index		
D	V71034	EPR	9/24/97	MDF		7/5/00		dr		M. CORNMAN		9/18/90		H		1	
E	V01576	MDF	7/5/00	MDF		7/5/00		dr		M. CORNMAN		9/18/90		H		2	
F	M05-0167	ERE	7/23/05	ERE		7/23/05		engr		M. LEACH		9/18/90		H		3	
G	M07-0116	ACS	2/24/07	chr		2/24/07		chr		M. LEACH		9/18/90		H		4	
H	N07-0150	MHT	8/01/07	pppd		8/01/07		pppd		M. LEACH		9/18/90		H		5	
																6	

- ① TERMINAL MATERIAL: 3/4 HARD PHOS. BRONZE ALLOY, UNS-C51000.
- 2. TERMINAL PLATING: 30u"/0.76u Au OR EXT OVER 50u"/1.27u Ni PLATING ON SWAGED TIPS MANUFACTURERS OPTION.
- ③ MOLDING MATERIAL: GLASS FILLED POLYESTER, FLAME RETARDANT PER UL-94V-0.
- COLOR: BLACK.
- ④ .020/.51 MAX FLASH AROUND ALL WINDOWS.
- ⑤ COMPANY LOGO MOLDED IN ON DATUM SURFACE -Z- APPROX. AS SHOWN.
- ⑥ .030/.76 MAX FLASH PERMISSIBLE ON THIS END OF PINS.
- 7. OTHER PLATINGS ARE AVAILABLE ON 68663, 68665, AND 68666.
- ⑧ .015/.38 MAX FLASH PERMISSIBLE ON THIS END OF PINS.
- 9. PLATING OPTIONS:  
MAY BE EITHER GOLD OR EXT PLATED AT MANUFACTURER'S OPTION.
- ⑩ ADD "LF" SUFFIX AT THE END OF PART NUMBER FOR LEAD FREE OPTION
- ⑪ THIS PRODUCT MEETS EUROPEAN UNION DIRECTIVES AND OTHER COUNTRY REGULATION AS DESCRIBED IN GS-22-008.
- 12. THE HOUSING WILL WITHSTAND EXPOSURE TO 260°C PEAK TEMPERATURE FOR 15 SECONDS IN A WAVE SOLDER APPLICATION WITH A 1.5mm MINIMUM THICK CIRCUIT BOARD. SEE APPLICATION NOTES/PROCEDURES IF THEY ARE AVAILABLE.

NOTES:



⌀ .015/.38	⌀ .006/.15
(M) X (M) Y (M)	(M) X (M) Y (M)
AT TIPS, TYP	AT BASE, TYP

0.64 REF, TYP (BOTH ENDS)

.025 SQUARE

mat'l. code		surface		tolerance		projection		product family	
NOTE 1 & 3		ISO 1302		ISO 406 ISO 1101		ISO 406 ISO 1101		HEADER	
ltr	ecn no	dr	date	tolerances unless otherwise specified		XX.XX/XX.XX		title	
				XX.XX/XX.XX		XX.XX/XX.XX		STRAIGHT HEADER FOR	
				XX.XX/XX.XX		XX.XX/XX.XX		ROUND WIRE RECEPTACLE	
				XX.XX/XX.XX		XX.XX/XX.XX		scale 2.5:1	
				XX.XX/XX.XX		XX.XX/XX.XX		dr M. CORNMAN 9/18/90	
				XX.XX/XX.XX		XX.XX/XX.XX		engr M. LEACH 9/18/90	
				XX.XX/XX.XX		XX.XX/XX.XX		chr M. LEACH 9/18/90	
				XX.XX/XX.XX		XX.XX/XX.XX		pppd M. LEACH 9/18/90	
sheet	revision							sheet no	
								68664	
								Product Customer Drawing	
								type	
								Product Customer Drawing	

PRODUCT NO.  
SEE TABLE



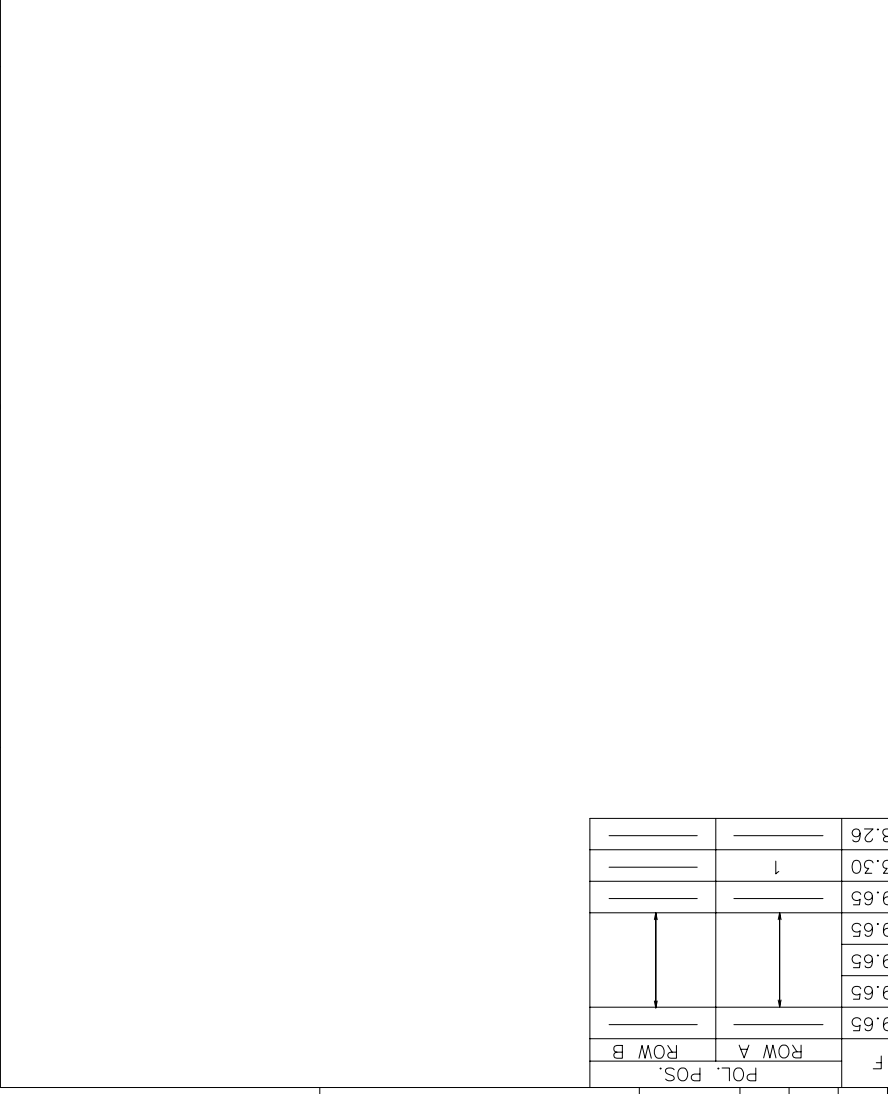






PRODUCT NO	NO OF POS	NO OF PINS	NO OF SPACES	DIM A	DIM C ±0.13	DIM D ±0.05	DIM E ±0.13	DIM F	POL. POS.
NOTE 10	6	6	2	2.00/5.08	.332/8.43	.066/1.68	-----	.380/9.65	-----
68664-103	6	6	2	.200/5.08	.332/8.43	.066/1.68	-----	.380/9.65	-----
-104	8	8	3	.300/7.62	.432/10.97	.066/1.68	-----	.380/9.65	-----
-105	12	12	5	.500/12.70	.632/16.05	.166/4.22	-----	.380/9.65	-----
-106	16	16	7	.700/17.78	.832/21.13	.266/6.76	-----	.380/9.65	-----
-107	20	20	9	.900/22.86	1.032/26.21	.066/1.68	.766/19.46	.380/9.65	-----
68664-108	14	13	6	.600/15.24	.732/18.59	.266/6.76	-----	.130/3.30	1
68664-132	32	32	15	1.500/38.10	1.632/41.45	.066/1.68	1.366/34.70	.325/8.26	-----

mat'l. code	NOTE 1 & 3	surface	ISO 1302	tolerance	ISO 406 ISO 1101	projection	product family	HEADER
ltr	ecn no	dr	date	tolerances unless otherwise specified	XXXX.01/XX.03			
H		angles	0 ±.2	indeg	XXXX.005/XX.0.13			
		scale	2.5:1		XXXX.0020/XXXX.0051			
		dr	M. CORNMANN	9/18/90				
		engr	M. LEACH	9/18/90				
		chr	M. LEACH	9/18/90				
		pppd	M. LEACH	9/18/90				
sheet	revision	index	sheet					



## X-ON Electronics

Largest Supplier of Electrical and Electronic Components

*Click to view similar products for [Headers & Wire Housings](#) category:*

*Click to view products by [Amphenol](#) manufacturer:*

Other Similar products are found below :

[95000-104TRLF](#) [10135584-644402LF](#) [DF62W-EP2022PCA](#) [95000-106TRLF](#) [DF62W-2022SCA](#) [DF62W-EP2022PC](#) [2203348](#) [DF62W-2022SC](#) [1084018](#) [1029039](#) [1084017](#) [802-10-012-10-002000](#) [1112640](#) [1112639](#) [000-34000](#) [0009482033](#) [0009507031](#) [57102-S06-03LF](#) [57202-S52-04LF](#) [PCN6-15S-2.5E](#) [0039019024](#) [58102-G61-06LF](#) [582553-1](#) [0009485154](#) [0009508121](#) [0022285053](#) [0050291907](#) [018731A](#) [LY20-4P-DT1-P1E-BR](#) [02.125.8002.8](#) [60101931](#) [60598-1 \(Cut Strip\)](#) [M1625-3R/100](#) [61062-3](#) [61082-181009](#) [636-1427](#) [638009-1](#) [641938-9](#) [641991-4](#) [644168-1](#) [647662-1](#) [65039-019ELF](#) [65781-047](#) [65817-002LF](#) [65817-015LF](#) [65863-015LF](#) [66207-023LF](#) [67016-026LF](#) [67046-001LF](#) [67095-007LF](#)