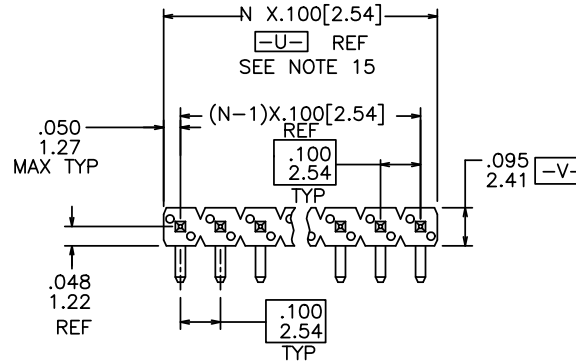


PRODUCT NUMBER

XXXXX-YYY HTLF

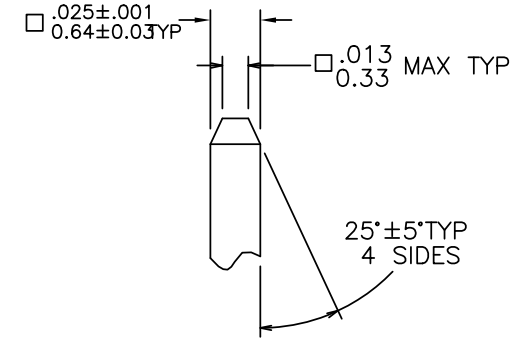
- LEAD FREE OPTION
SEE NOTE 1,8
- TUBE PACKAGING OPTION
SEE NOTE 1
- HIGH TEMPERATURE PLASTIC
SEE NOTE 1
- NO OF POSITIONS
SEE NOTE 1
- PIN PLATING
SEE SHEET 2
- BASE PART NO.



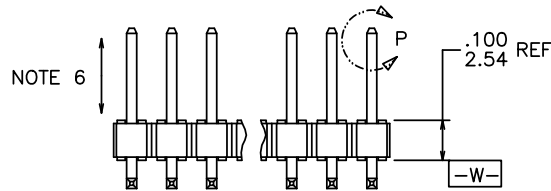
TOP VIEW

⊕ ∅.020/0.51 (M) U (M) V (S) W

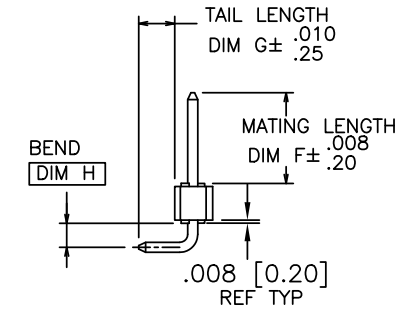
NOTE 4



DETAIL P
TYP BOTH ENDS



SIDE VIEW



END VIEW

68015-X XX-XXX XXX LF

- TAIL LENGTH (EXAMPLE BELOW)
3.0mm=030 12.8mm=128 (SEE NOTE 11 & 12)
- MATING LENGTH (EXAMPLE BELOW)
5.0mm=050 25.5mm=255 (SEE NOTE 11 & 12)
- TOTAL NUMBER OF POSITION
FROM 1 THRU 36 POS. (SEE NOTE 1)
- PIN PLATING (SEE NOTE 13)
1=0.76µm Au
4= PURE TIN
8=0.36µm Au
- BASE PART NO.
SINGLE ROW RIGHT ANGLE

Copyright FCI.

rev	ecn no	dr	date
CR	M06-0346	MHT	9/04/06
CS	M08-0154	MHT	5/27/08
CT	M08-0169	MHT	6/16/08
CU	M08-0267	MHT	9/25/08
CV	M08-0331	MHT	12/01/08
AY	M09-0105	MHT	7/10/09
BA	N11-0118	J.Z	2011-04-11

www.fciconnect.com			surface 6.4 ISO 1302	tolerance std ISO 406 ISO 1101	projection ISO 10	INCH/MM
TOLERANCES UNLESS OTHERWISE SPECIFIED			ANGULAR	LINEAR	size A4	Scale 1.000
Dr	T.BREWBAKER	01/31/95	0.X	±0.3	ECN N11-0118	
Eng	T.HANNA	01/31/95	0.XX	±0.15	Spec ref	
Chr	T.HANNA	01/31/95	0.XXX	±0.05	Rev. BA	
Appr	T.HANNA	01/31/95	Product family BERGSTIK		dwg no 68015	sheet 1 of 4
FCI			title BERGSTIK® II HEADER .100/2.54cc SR R/A		CUSTOMER	
			catalog no		STATUS Released	

PIN PLATING CODES:

XXXX-1YY	30u"/0.76u MIN (SEE NOTE 9) OVER 50u"/1.27u MIN Ni
XXXX-2YY	15u"/0.38u MIN (SEE NOTE 9) OVER 50u"/1.27u MIN Ni
XXXX-3YY	50u"/1.27u MIN (SEE NOTE 9) OVER 50u"/1.27u MIN Ni
XXXX-4YY	100u"/2.54u MIN Sn OVER 50u"/1.27u MIN Ni (SEE NOTE 10)
XXXX-4YYHLF	
XXXX-5YY	15u"/0.38u MIN (SEE NOTE 9) OVER 50u"/1.27u MIN Ni
XXXX-6YY	30u"/0.76u MIN (SEE NOTE 9) OVER 50u"/1.27u MIN Ni
XXXX-7YY	30u"/0.76u MIN (SEE NOTE 9) OVER 50u"/1.27u MIN Ni
XXXX-8YY	15u"/0.38u MIN (SEE NOTE 9) OVER 50u"/1.27u MIN Ni
XXXX-9YY	15u"/0.38u MIN (SEE NOTE 9) OVER 50u"/1.27u MIN Ni
XXXX-0YY	30u"/0.76u MIN (SEE NOTE 9) OVER 50u"/1.27u MIN Ni

NOTES

1. PART NUMBER OPTIONS:

PIN PLATING CODES (SEE ABOVE)

HIGH TEMP. MATERIAL:

PART NUMBERS WITH AND WITHOUT "H" WILL BE SUPPLIED WITH HIGH TEMPERATURE PLASTIC.

NUMBER OF POSITION:

ANY NUMBER OF POSITIONS FROM 1 THRU 36.

PACKAGING:

PACKAGED IN POLY BAGS.

EIGHT DIGIT PART NUMBERS FOLLOWED BY A "T" ARE PACKAGED IN TUBES. SEE SPECIFIC PART NUMBERS FOR AVAILABILITY.

LEAD FREE:

ADD "HLF" SUFFIX AT THE END OF PART NUMBER FOR LEAD FREE OPTION, NOT AVAILABLE FOR -5YY,-5YYH,-6YY & -6YYH.

2. BODY MATERIAL:

MANUFACTURER'S OPTION OF NYLON OR PCT, GLASS FIBER REINFORCED, OR LCP MINERAL FILED FLAME RETARDENT PER UL-94V-0. COLOR: BLACK.

PART NUMBERS WITH AND WITHOUT "H" SUFFIX WILL WITHSTAND EXPOSURE TO 260°C PEAK TEMPERATURE FOR 20 SECONDS IN WAVE SOLDER, INFRA-RED OR VAPOR PHASE SOLDER PROCESS.

3. PIN MATERIAL: PHOS-BRONZE.

4. MEASURED WITH PART IN RESTRAINED CONDITION.

5. TWO SIDES OF PIN TIPS NOT PLATED. TYPICAL BOTH ENDS.

6. 2LBS/0.9KG MIN PIN RETENTION IN EITHER DIRECTION.

7. MILITARY BERGSTIK HEADER
P/N XXXXX-YYY-MIL
NOT AVAILABLE.

8. THESE PRODUCTS MEETS EUROPEAN UNION DIRECTIVES AND OTHER COUNTRY REGULATION AS DESCRIBED IN GS-22-008.

9. PLATING OPTIONS:
PERFORMANCE PLATING WILL BE EITHER GOLD OR GXT ON POST OR TAIL, OPTIONALLY (78~295u"/2~7.5u) TIN ON TAIL.

10. "THIS PRODUCT HAS 100%% TIN PLATING IN THE INTERFACE AND HAS NOT BEEN TESTED FOR WHISKER GROWTH IN ALL INTERCONNECT ENVIRONMENTS."

11. THE OAL DON'T EXCEED 31mm
OAL= MATTING DIM+4.0mm<31mm WHERE THE SUM OF TAIL AND MATTING LENGTH DON'T EXCEED 27mm

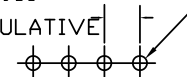
12. INCREMENTS BY 0.1mm IN LENGTHS ONLY

13. FOR SPECIAL PACKAGING REQUEST PLEASE CONTACT PRODUCT MANAGER FOR AVAILABILITY

14. BEND DIMENSIONS AT 1.5mm ONLY

15. TO DETERMINE DIMENSIONS:
N=NUMBER OF POSITION PER ROW
EXAMPLE: 10 POS. N X .100/2.54

.100±.003 [2.54±.08]
TYP. NON-ACCUMULATIVE
Ø.040±.003 [1.02±.08]
TYP.



RECOMMENDED HOLE PATTERN

www.fciconnect.com			surface ISO 1302 ✓	tolerance std ISO 406 ISO 1101	projection A4	INCH/MM
			TOLERANCES UNLESS OTHERWISE SPECIFIED			
Dr	T.BREWBAKER	01/31/95	ANGULAR	0.X	±0.3	Scale 1.000
Eng	T.HANNA	01/31/95	LINEAR	0.XX	±0.15	ECN N11-0118
Chr	T.HANNA	01/31/95	0° ±2°	0.XXX	±0.05	Spec ref
Appr	T.HANNA	01/31/95	Product family	BERGSTIK		
FCI			title BERGSTIK® II HEADER .100/2.54cc SR R/A		dwg no 68015	Rev. BA
			catalog no	CUSTOMER	sheet 2 of 4	



Copyright FCI.

1

2

3

4

PRODUCT NUMBER	MATING LENGTH		TAIL LENGTH		BEND DIM		PACKAGING	LF OPTION
	DIM F	DIM F	DIM G	DIM G	DIM H	DIM H		
	ENGLISH	METRIC	ENGLISH	METRIC	ENGLISH	METRIC		
68015-XY	0.230	5.84	0.090	2.29	0.060	1.52	POLY BAGS/TUBES	NOTE 1,8
68016-XY	0.230	5.84	0.120	3.05	0.060	1.52	POLY BAGS/TUBES	
68023-XY	0.135	3.43	0.305	7.75	0.135	3.43	POLY BAGS	
68417-XY	0.230	5.84	0.390	9.91	0.060	1.52	POLY BAGS	
68423-XY	0.318	8.08	0.120	3.05	0.060	1.52	POLY BAGS/TUBES	
68458-XY	0.318	8.08	0.110	2.79	0.060	1.52	POLY BAGS	
68461-XY	0.400	10.16	0.320	8.13	0.260	6.60	POLY BAGS	
68468-XY	0.230	5.84	0.195	4.95	0.160	4.06	POLY BAGS	
68488-XY	0.230	5.84	0.180	4.57	0.060	1.52	POLY BAGS	
68494-XY	0.400	10.16	0.110	2.79	0.060	1.52	POLY BAGS	
68498-XY	0.230	5.84	0.220	5.59	0.160	4.06	POLY BAGS	
68626-XY	0.230	5.84	0.295	7.49	0.060	1.52	POLY BAGS	
68627-XY	0.120	3.05	0.185	4.70	0.150	3.81	POLY BAGS	
68628-XY	0.230	5.84	0.590	14.99	0.060	1.52	POLY BAGS	
68641-XY	0.230	5.84	0.490	12.45	0.060	1.52	POLY BAGS	
68660-XY	0.110	2.79	0.230	5.84	0.135	3.43	POLY BAGS	
68694-XY	0.600	15.24	0.120	3.05	0.060	1.52	POLY BAGS	
68757-XY	0.350	8.89	0.220	5.59	0.100	2.54	POLY BAGS	
68758-XY	0.275	6.99	0.120	3.05	0.060	1.52	POLY BAGS	
68764-XY	0.100	2.54	0.120	3.05	0.060	1.52	POLY BAGS	
68782-XY	0.318	8.08	0.180	4.57	0.060	1.52	POLY BAGS	
68798-XY	0.110	2.79	0.230	5.84	0.160	4.06	POLY BAGS	
69189-XY	0.310	7.87	0.250	6.35	0.060	1.52	POLY BAGS	
71270-XY	0.600	15.24	0.189	4.80	0.060	1.52	POLY BAGS	
72342-XY	0.120	3.05	0.250	6.35	0.060	1.52	POLY BAGS	
78230-XY	0.310	7.87	0.330	8.38	0.060	1.52	POLY BAGS	
78231-XY	0.310	7.87	0.290	7.37	0.060	1.52	POLY BAGS	NOTE 1,8



Copyright FCI.

www.fciconnect.com			surface ISO 1302 ✓	tolerance std ISO 406 ISO 1101	projection A4	INCH/MM ← →
TOLERANCES UNLESS OTHERWISE SPECIFIED			ANGULAR	LINEAR	size	Scale
Dr	T.BREWBAKER	01/31/95	0°	±2°	A4	1.000
Eng	T.HANNA	01/31/95	0.X	±0.3	ECN	N11-0118
Chr	T.HANNA	01/31/95	0.XX	±0.15	Spec ref	
Appr	T.HANNA	01/31/95	0.XXX	±0.05		
Product family			BERGSTIK			
title			BERGSTIK® II HEADER .100/2.54cc SR R/A		dwg no	68015
catalog no			CUSTOMER		Rev.	BA
					sheet 3 of 4	

REV F - 2006-04-17

1

2

PDM: Rev:BA

STATUS Released 4 Printed: Apr 20, 2011

1

2

3

4

PRODUCT NUMBER	MATING LENGTH		TAIL LENGTH		BEND DIM		PACKAGING	LF OPTION
	DIM F	DIM F	DIM G	DIM G	DIM H	DIM H		
	ENGLISH	METRIC	ENGLISH	METRIC	ENGLISH	METRIC		
78234-XY	0.230	5.84	0.140	3.56	0.160	4.06	POLY BAGS	NOTE 1,8 ↓
78541-XY	0.318	8.08	0.080	2.03	0.060	1.52	POLY BAGS	
78587-XY			UNAVAILABLE					
78938-XY	0.120	3.05	0.120	3.05	0.060	1.52	POLY BAGS	
78955-XY	0.075	1.91	0.090	2.29	0.060	1.52	POLY BAGS	
78978-XY	0.120	3.05	0.318	8.08	0.135	3.43	POLY BAGS	
79409-XY			UNAVAILABLE					
84846-XYH	0.140	3.56	0.290	7.37	0.153	3.89	POLY BAGS	
84917-XYH	0.090	2.29	0.195	4.95	0.190	4.83	POLY BAGS	
84935-XYH	0.450	11.43	0.320	8.13	0.260	6.60	POLY BAGS	
84936-XYH	0.350	8.89	0.120	3.05	0.060	1.52	POLY BAGS	
87532-XYH	0.230	5.84	0.890	22.61	0.060	1.52	POLY BAGS	
88813-XY	0.230	5.84	0.085	2.16	0.060	1.52	POLY BAGS	
92050-XY	0.162	4.11	0.120	3.05	0.060	1.52	POLY BAGS	
92632-XY	0.100	2.54	0.318	8.08	0.060	1.52	POLY BAGS	
92909-XY	0.400	10.16	0.220	5.59	0.060	1.52	POLY BAGS	
94099-XY	0.157	3.99	0.090	2.29	0.060	1.52	POLY BAGS	
94529-XYH	0.120	3.05	0.295	7.49	0.135	3.43	POLY BAGS	
94671-XYH	0.090	2.29	0.085	2.16	0.180	4.57	POLY BAGS	
95653-XYH	0.330	8.38	0.310	7.87	0.160	4.06	POLY BAGS	
95666-XYH	0.230	5.84	0.145	3.68	0.060	1.52	POLY BAGS	
10089061-XY	0.125	3.18	0.318	8.08	0.135	3.43	POLY BAGS	

NOTE 1,8



Copyright FCI.

www.fciconnect.com			surface ISO 1302	<input checked="" type="checkbox"/>	tolerance std ISO 406 ISO 1101	projection 	INCH/MM ←→
			TOLERANCES UNLESS OTHERWISE SPECIFIED				
Dr	T.BREWBAKER	01/31/95	ANGULAR	LINEAR	0.X	±0.3	size A4
Eng	T.HANNA	01/31/95			0.XX	±0.15	Scale 1.000
Chr	T.HANNA	01/31/95	0°	±2°	0.XXX	±0.05	ECN N11-0118
Appr	T.HANNA	01/31/95	Product family		BERGSTIK	Spec ref	
			title BERGSTIK® II HEADER .100/2.54cc SR R/A			dwg no 68015	
			catalog no			CUSTOMER	
						sheet 4 of 4	

REV F - 2006-04-17

1

2

PDM: Rev:BA

STATUS Released 4 Printed: Apr 20, 2011

X-ON Electronics

Largest Supplier of Electrical and Electronic Components

Click to view similar products for [Headers & Wire Housings](#) category:

Click to view products by [Amphenol](#) manufacturer:

Other Similar products are found below :

[892-18-020-10-001101](#) [58102-G61-06LF](#) [582553-1](#) [0009485154](#) [009176003701906](#) [0050291907](#) [LY20-4P-DT1-P1E-BR](#) [02.125.8002.8](#)
[609-3404](#) [61062-3](#) [622-0430](#) [622-3653LF](#) [63453-116](#) [636-1030](#) [636-1427](#) [636-3427](#) [636-4007](#) [641938-9](#) [641991-4](#) [644827-2](#) [65817-010LF](#)
[65817-015LF](#) [65863-015LF](#) [66207-023LF](#) [67095-007LF](#) [67601157](#) [68648-049](#) [70.362.1628.0](#) [70-4210](#) [70-4226B](#) [70-4853B](#) [707-5020](#) [707-](#)
[5028](#) [71.350.2428.0](#) [71918-208LF](#) [71961-016LF](#) [733-134](#) [733-162](#) [754199-000](#) [760-3052](#) [787-8014-00](#) [79531-3000](#) [FCN-360C032-B](#) [FCN-](#)
[367T-T012/H](#) [FCN-723D010/2](#) [80.063.4001.1](#) [800-90-001-10-001000](#) [800-90-010-10-002000](#) [801-43-002-10-013000](#) [801-43-006-10-002000](#)