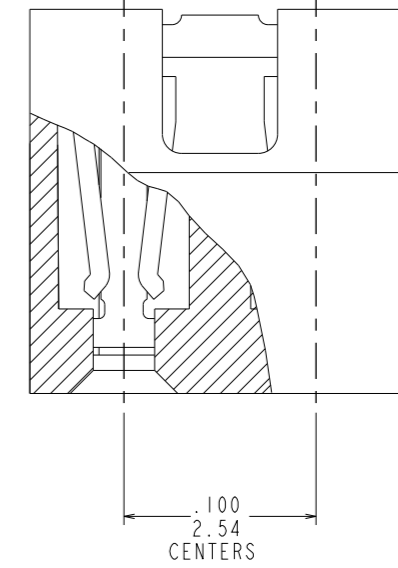
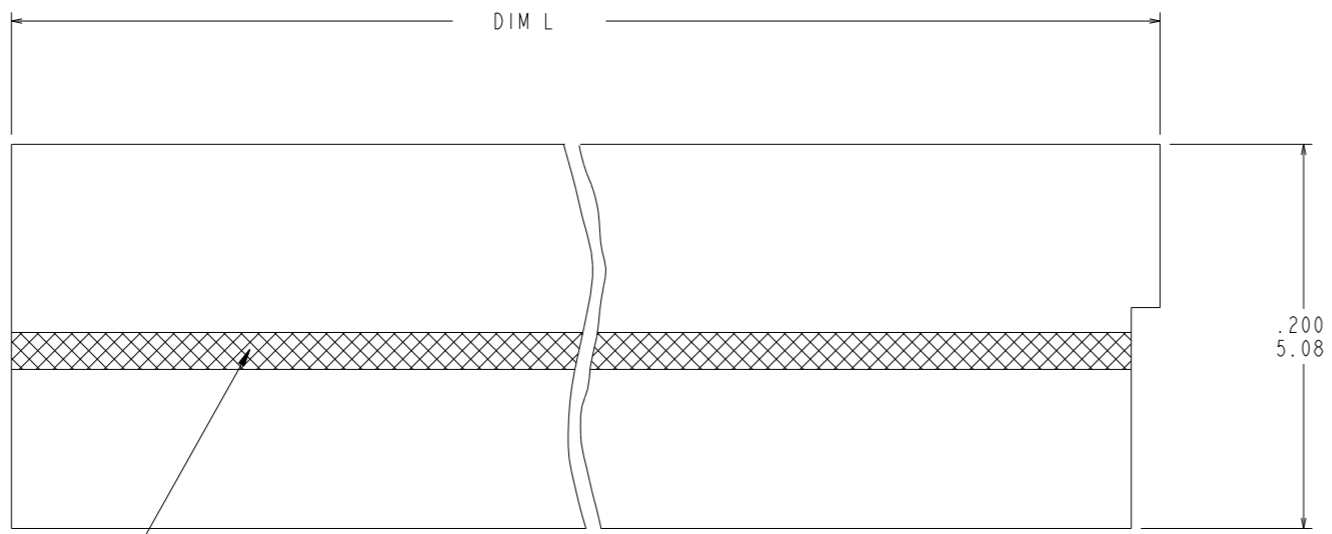


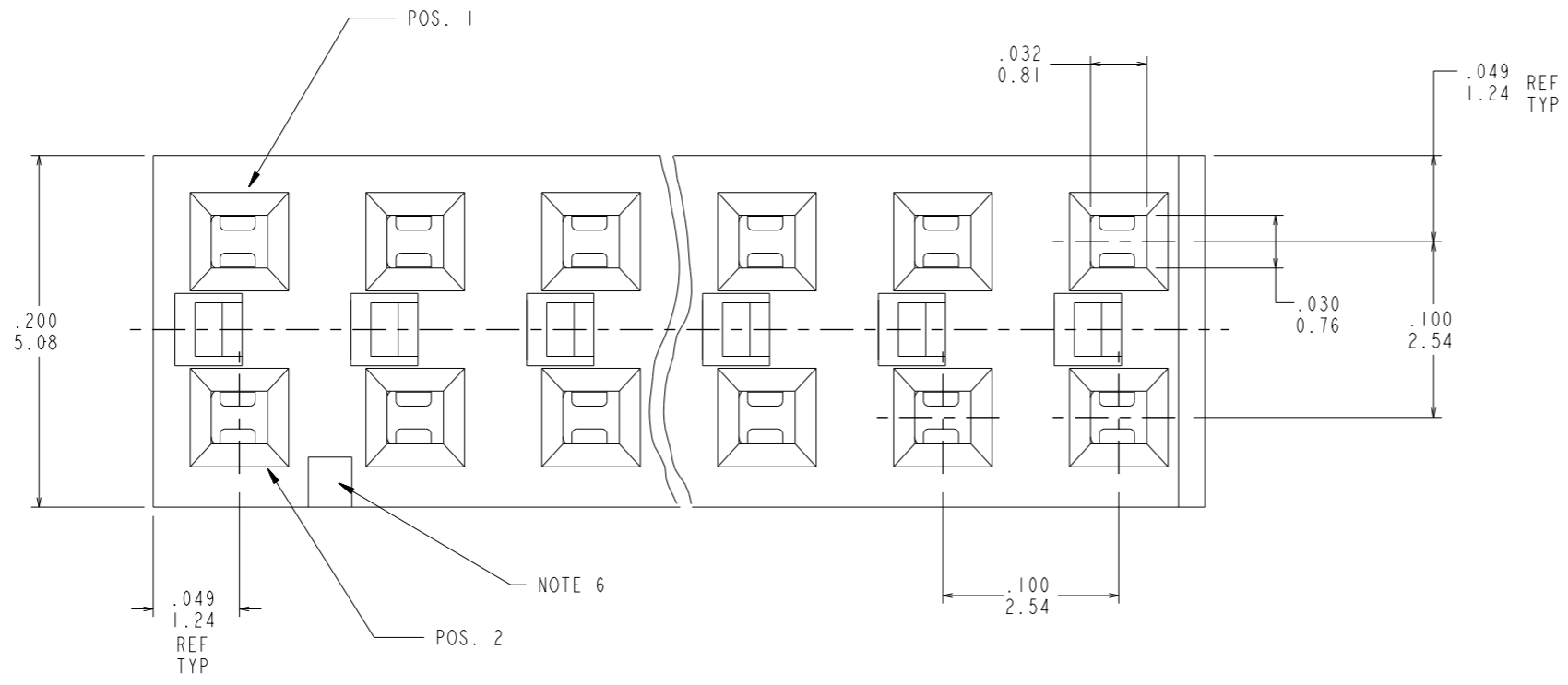
A



B

NOTE 5

C



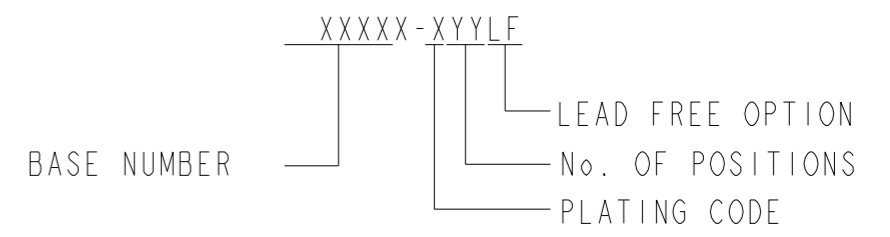
D



Copyright FCI.

spec ref		dr	Yong Huang	2010/10/25	projection	INCH / MM	size	A3	scale	DRAWING SCALE	
tolerance std		eng	Zheng-Kun Hu	2014/09/19			ecn no		ELX-N-18464-1		
TOLERANCES UNLESS OTHERWISE SPECIFIED		chr	-	-			rel level		Released		
surface	<input checked="" type="checkbox"/>	linear	0.X	±0.5		D.R. MULTI POSITION PROFILE JUMPER ASS'Y	dwg no 69145	rev		S	
			0.XX	±0.3				www.fci.com	cat. no.	Product - Customer Drw	sheet 1 of 2
			0.XXX	±0.13							
		angular	0°	±°							

PRODUCT No.	NO. OF POS.	DIM L	DESC PRODUCT NUMBER ON -8XX SERIES ONLY	SELECT LOADING	LEAD FREE OPTION
69145-X04	2 X 2	.1980/5.029	WWWWW-04	NO	NOTE 5
-X06	2 X 3	.2980/7.569	WWWWW-06	NO	
-X08	2 X 4	.3980/10.109	WWWWW-08	NO	
-X10	2 X 5	.4980/12.649	WWWWW-10	NO	
-X12	2 X 6	.5980/15.189	WWWWW-12	NO	
-X14	2 X 7	.6980/17.729	WWWWW-14	NO	
-X16	2 X 8	.7980/20.269	WWWWW-16	NO	
-X18	2 X 9	.8980/22.809	WWWWW-18	YES	
69145-X20	2 X 10	.9980/25.349	WWWWW-20	NO	1-2 9-10 17-18 ONLY FOR 69145-518

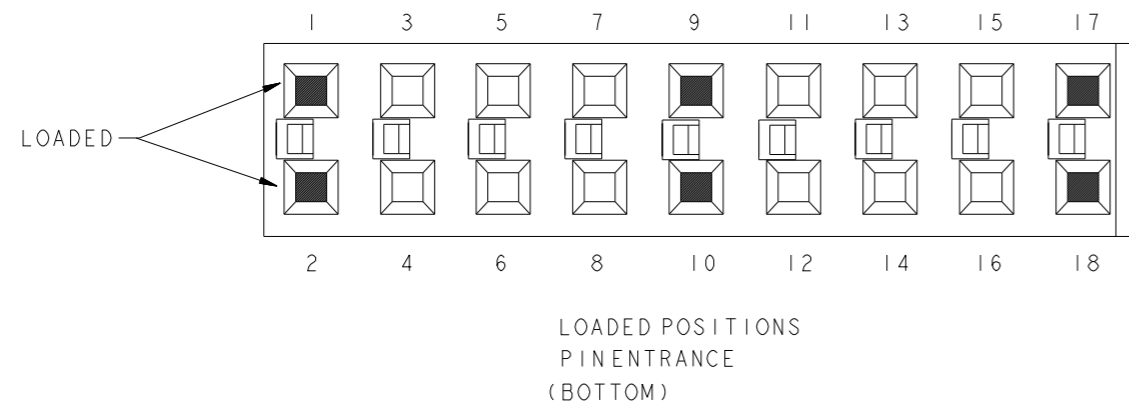


PLATINGS;

- 1XX 15u"/.38u Au or GXT CONTACT AREA
- 2XX 30u"/.76u Au or GXT CONTACT AREA
- 3XXLF 100u"/2.54u Sn CONTACT AREA
- 4XX-Au-FLASH-OVER-50u"-Ni-CONTACT-AREA----- OBSOLETE

NOTES:

- MATERIAL: POLYESTER. FLAME RETARDANT PER UL-94-V0. COLOR - BLACK
- RECOMMENDED APPLICATION DATA:
 - A. ALL MATING PINS TO BE .025/.64 SQ. ON TRUE CENTER OF GIVEN TERMINAL SPACING WITHIN .015/.38 DIA.
 - B. SUGGESTED MATING PIN LENGTH .160/4.06 MIN.
- 69145-518 SELECT LOADED WITH 30u"/.76u GOLD CONTACTS.
- .005/0.13 RECESS PERMISSABLE AT THIS LOCATION FOR ASSEMBLY PROCESSING.
- ADD "LF" SUFFIX AT THE END OF PART NUMBER FOR LEAD FREE OPTION.
- THIS PRODUCT MEETS EUROPEAN UNION DIRECTIVES AND OTHER COUNTRY REGULATION AS DESCRIBED IN GS-22-008.
- THIS PRODUCT IS NOT INTENDED TO BE EXPOSED TO A MANUFACTURING SOLDER PROCESS.
- PRODUCT SPECIFICATION: BUS-12-071.



ISO 1302 ISO 406 ISO 1101

spec ref	dr	Yong Huang	2010/10/25	projection	INCH/MM	size	A3	scale	DRAWING SCALE
tolerance std	eng	Zheng-Kun Hu	2014/09/19			ecn no	ELX-N-18464-1	rel level	Released
TOLERANCES UNLESS OTHERWISE SPECIFIED									
surface	linear	0.X	±0.5		D.R. MULTI POSITION	dwg no	69145	rev	S
		0.XX	±0.3						
		0.XXX	±0.13						
	angular	0°	±°	www.fci.com	cat. no.	Product - Customer Drw	sheet 2 of 2		



Copyright FCI.

X-ON Electronics

Largest Supplier of Electrical and Electronic Components

Click to view similar products for [Headers & Wire Housings](#) category:

Click to view products by [Amphenol](#) manufacturer:

Other Similar products are found below :

[892-18-020-10-001101](#) [58102-G61-06LF](#) [582553-1](#) [0009485154](#) [009176003701906](#) [0050291907](#) [LY20-4P-DT1-P1E-BR](#) [02.125.8002.8](#)
[609-3404](#) [61062-3](#) [622-0430](#) [622-3653LF](#) [63453-116](#) [636-1030](#) [636-1427](#) [636-3427](#) [636-4007](#) [641938-9](#) [641991-4](#) [644827-2](#) [65817-010LF](#)
[65817-015LF](#) [65863-015LF](#) [66207-023LF](#) [67095-007LF](#) [67601157](#) [68648-049](#) [70.362.1628.0](#) [70-4210](#) [70-4226B](#) [70-4853B](#) [707-5020](#) [707-5028](#) [71.350.2428.0](#) [71918-208LF](#) [71961-016LF](#) [733-134](#) [733-162](#) [754199-000](#) [760-3052](#) [787-8014-00](#) [79531-3000](#) [FCN-360C032-B](#) [FCN-367T-T012/H](#) [FCN-723D010/2](#) [80.063.4001.1](#) [800-90-001-10-001000](#) [800-90-010-10-002000](#) [801-43-002-10-013000](#) [801-43-006-10-002000](#)