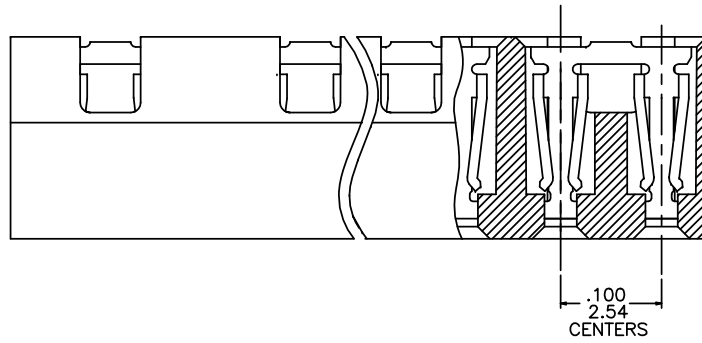
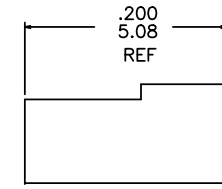
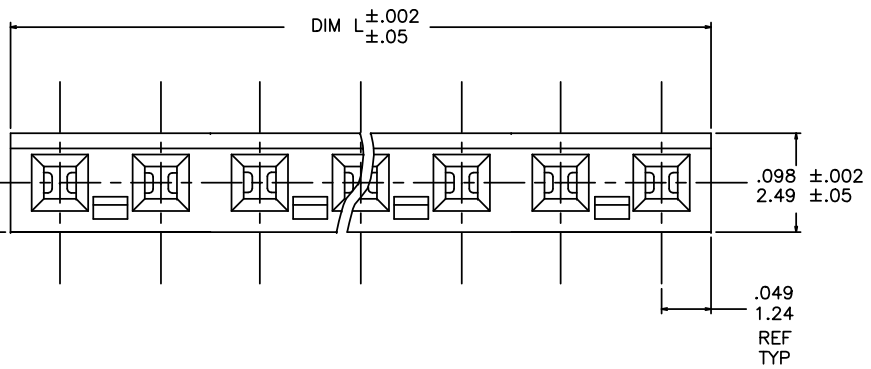


PRODUCT NO.
SEE TABLE

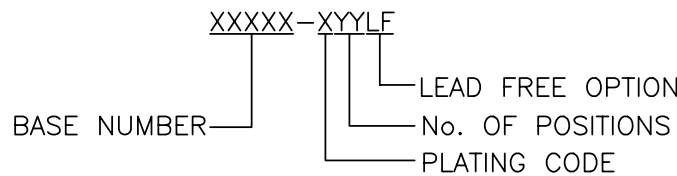


.100
2.54
CENTERS



mat'l. code		surface		tolerance		projection		product family	
		ISO 1302		ISO 406				JUMPER	
tr ecn nodr date		tolerances unless otherwise specified				INCH/MM		title	
A	RELEASE	JGS	4/1/91	angles	.XX \pm .01/.3	scale 1:1		S. R. MULTI POSITION	
B	V11440	MRC	7/19/91	linear	.XXX \pm .005/.13			LOW PROFILE JUMPER ASS'Y	
C	V80322	SAR	5/21/98	0' \pm 2"	.XXXX \pm .0020/.05			dwg no	
D	M05-0205	ERE	09/29/05	dr	J. SHREINER	4/1/91			sheet of 2
E	M06-0238	MN	06/17/08	engr	M.HAHN	4/1/91	69146		A3
F	M06-0389	AGS	10/4/06	chr	M.HAHN	4/1/91	type Product Customer Drawing		
G	EX-N-011707	JZ	2012-05-04	appd	M.HAHN	4/1/91			
sheet	revision	G	G						
index	sheet	1	2						

PRODUCT NO.	NO. OF POS.	DIM L	LEAD FREE OPTION	
69146-X04	1 X 4	.398/10.11	NOTE 3,4	
-X06	1 X 6	.598/15.19		
-X08	1 X 8	.798/20.27		
-X10	1 X 10	.998/25.35		
-X12	1 X 12	1.198/30.43		
-X14	1 X 14	1.398/35.51		
-X16	1 X 16	1.598/40.59		
-X18	1 X 18	1.798/45.67		
69146-X20	1 X 20	1.998/50.75		NOTE 3,4



NOTES:

- MATERIAL; POLYESTER, FLAME RETARDANT PER UL-94-V0. COLOR - BLACK
- RECOMMENDED APPLICATION DATA:
 - ALL MATING PINS TO BE .025/.64 SQ.ON TRUE CENTER OF GIVEN TERMINAL SPACEING WITHIN .015/.38 DIA.
 - SUGGESTED MATING PIN LENGTH .160/4.06 MIN.
- ADD "LF" SUFFIX AT THE END OF PART NUMBER FOR LEAD FREE OPTION.
- THESE PRODUCTS MEET EUROPEAN UNION DIRECTIVES AND OTHER COUNTRY REGULATIONS AS DESCRIBED IN GS-22-008.
- THE PRODUCT IS NOT INTENDED TO BE EXPOSED TO A MANUFACTURING SOLDER PROCESS.
- "THIS PRODUCT HAS 100% TIN PLATING IN THE INTERFACE AND HAS NOT BEEN TESTED FOR WHISKERS GROWTH IN ALL INTERCONNECT ENVIRONMENTS."
- PRODUCT SPECIFICATION: BUS-12-071.

CONTACT PLATING:

- 1XX 15μ"/0.38μ Au OR GXT OVER 50μ"/1.27μ Ni
- 2XX 30μ"/0.76μ Au OR GXT OVER 50μ"/1.27μ Ni
- 3XXLF 100μ"/2.54μ Sn OVER 50μ"/1.27μ Ni (NOTE 6)
- ~~-4XX Au FLASH OVER 50μ"/1.27μ Ni in CONTACT AREA - OBSOLETE~~

mat'l. code		surface ISO 1302 ✓	tolerance ISO 406 ISO 1101	projection ⊕	product family JUMPER
l	tr	ec	n	no	date
tolerances unless otherwise specified					
G		angles	linear	.XX±.01/.3 .XXX±.005/.13 .XXXX±.0020/.05	
				INCH/MM	title
				scale 1:1	S. R. MULTI POSITION LOW PROFILE JUMPER A
				dr	J. SHREINER 4/1/91
				engr	M.HAHN 4/1/91
				chr	M.HAHN 4/1/91
				appd	M.HAHN 4/1/91
sheet		revision			
index		sheet			



69146

type Product Customer D

X-ON Electronics

Largest Supplier of Electrical and Electronic Components

Click to view similar products for [Headers & Wire Housings](#) category:

Click to view products by [Amphenol](#) manufacturer:

Other Similar products are found below :

[892-18-020-10-001101](#) [58102-G61-06LF](#) [582553-1](#) [0009485154](#) [009176003701906](#) [0050291907](#) [LY20-4P-DT1-P1E-BR](#) [02.125.8002.8](#)
[609-3404](#) [61062-3](#) [622-0430](#) [622-3653LF](#) [63453-116](#) [636-1030](#) [636-1427](#) [636-3427](#) [636-4007](#) [641938-9](#) [641991-4](#) [644827-2](#) [65817-010LF](#)
[65817-015LF](#) [65863-015LF](#) [66207-023LF](#) [67095-007LF](#) [67601157](#) [68648-049](#) [70.362.1628.0](#) [70-4210](#) [70-4226B](#) [70-4853B](#) [707-5020](#) [707-](#)
[5028](#) [71.350.2428.0](#) [71918-208LF](#) [71961-016LF](#) [733-134](#) [733-162](#) [754199-000](#) [760-3052](#) [787-8014-00](#) [79531-3000](#) [FCN-360C032-B](#) [FCN-](#)
[367T-T012/H](#) [FCN-723D010/2](#) [80.063.4001.1](#) [800-90-001-10-001000](#) [800-90-010-10-002000](#) [801-43-002-10-013000](#) [801-43-006-10-002000](#)