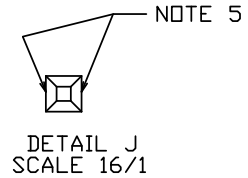
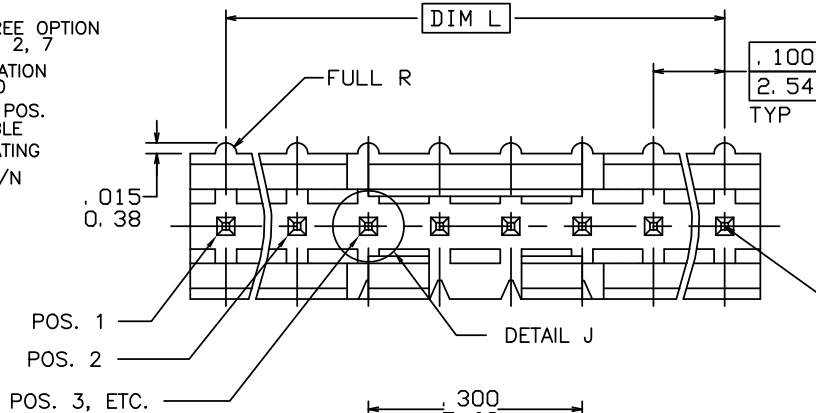
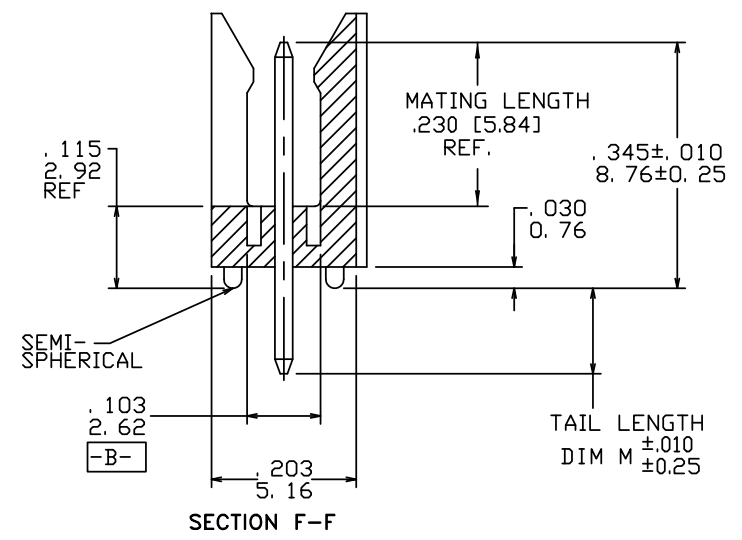
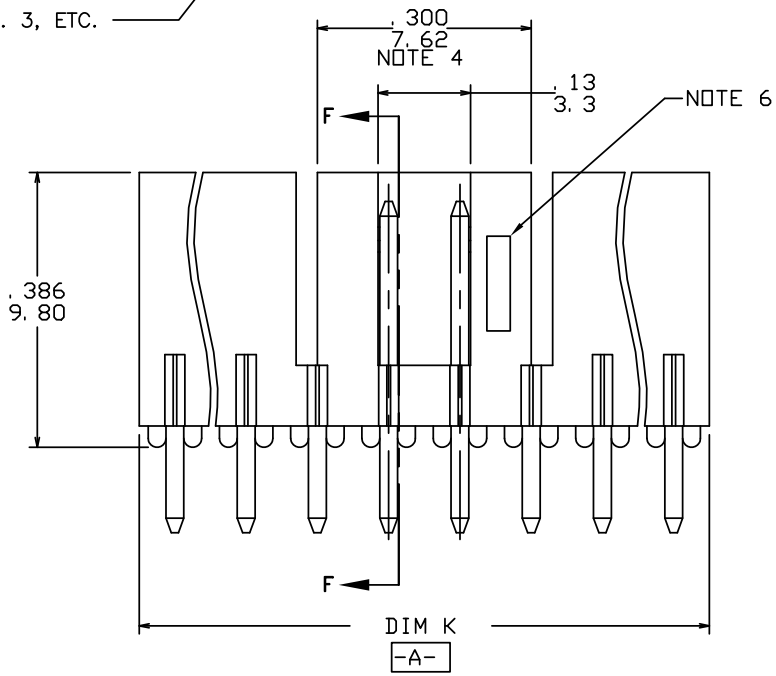


PRODUCT NUMBER  
69167-XXXXXXHLF

- LEAD FREE OPTION  
NOTE 1, 2, 7
- POLARIZATION  
NOTE 10
- NO. OF POS.  
SEE TABLE
- PIN PLATING
- BASE P/N



.025/.64 PIN  
 $\varnothing$  .020/0.51 (M) A (S) B (S)  
 AT TIP  
 BOTH ENDS



|                   |             |                                       |            |                                  |            |   |  |                                 |  |
|-------------------|-------------|---------------------------------------|------------|----------------------------------|------------|---|--|---------------------------------|--|
| mat'l. code       |             | surface<br>ISO 1302 ✓                 |            | tolerance<br>ISO 406<br>ISO 1101 |            | projection<br>                                |  | product family<br>HEADER        |  |
| ltr ecn nldr date |             | tolerances unless otherwise specified |            | title                            |            | FRICITION LATCH HEADER<br>SINGLE ROW VERTICAL |  |                                 |  |
| T                 | 6X-N-011888 | JZ                                    | 2012-05-31 | angles                           | linear     | INCH/MM                                       |  | dwg no 69167 sheet of 3 size A3 |  |
| M                 | V03-0352    | GIP                                   | 03/25/03   | 0°±2'                            |            | scale 4:1                                     |  | type Product Customer Drawing   |  |
| N                 | M05-0134    | MHT                                   | 6/17/05    | dr                               | M.CLOUSER  | 11/27/90                                      |  |                                 |  |
| P                 | M05-0176    | ERE                                   | 08/05/05   | engr                             | C.TREXTLER | 11/27/90                                      |  |                                 |  |
| R                 | M06-0256    | MHT                                   | 9/07/06    | chr                              | C.TREXTLER | 11/27/90                                      |  |                                 |  |
| S                 | M08-0291    | MHT                                   | 10/06/08   | appd                             | C.TREXTLER | 11/27/90                                      |  |                                 |  |
| sheet             | revisi      | T                                     | T          |                                  |            |   |  |                                 |  |
| index             | sheet       | 1                                     | 2          | 3                                |            |   |  |                                 |  |

| PRODUCT NUMBER | NO OF POS | DIM K       | DIM L           | TAIL LENGTH DIM M |
|----------------|-----------|-------------|-----------------|-------------------|
| 69167-X03      | 1 X 3     | .300/7.62   | .200/5.08       | .120/3.05         |
| 69167-X04      | 1 X 4     | .400/10.16  | .300/7.62       | .120/3.05         |
| 69167-X05      | 1 X 5     | .500/12.70  | .400/10.16      | .120/3.05         |
| 69167-X06      | 1 X 6     | .600/15.24  | .500/12.70      | .120/3.05         |
| 69167-X07      | 1 X 7     | .700/17.78  | .600/15.24      | .120/3.05         |
| 69167-X08      | 1 X 8     | .800/20.32  | .700/17.78      | .120/3.05         |
| 69167-X09      | 1 X 9     | .900/22.86  | .800/20.32      | .120/3.05         |
| 69167-X10      | 1 X 10    | 1.000/25.40 | .900/22.86      | .120/3.05         |
| 69167-X11      | 1 X 11    | 1.100/27.94 | 1.000/25.40     | .120/3.05         |
| 69167-X12      | 1 X 12    | 1.200/30.48 | 1.100/27.94     | .120/3.05         |
| 69167-X13      | 1 X 13    | 1.300/33.02 | 1.200/30.48     | .120/3.05         |
| 69167-X14      | 1 X 14    | 1.400/35.56 | 1.300/33.02     | .120/3.05         |
| 69167-X15      | 1 X 15    | 1.500/38.10 | 1.400/35.56     | .120/3.05         |
| 69167-X16      | 1 X 16    | U N A       | V A I L A B L E |                   |
| 69167-X17      | 1 X 17    | U N A       | V A I L A B L E |                   |
| 69167-X18      | 1 X 18    | U N A       | V A I L A B L E |                   |
| 69167-X19      | 1 X 19    | U N A       | V A I L A B L E |                   |
| 69167-X20      | 1 X 20    | U N A       | V A I L A B L E |                   |
| 69167-X21      | 1 X 21    | U N A       | V A I L A B L E |                   |
| 69167-X22      | 1 X 22    | U N A       | V A I L A B L E |                   |
| 69167-X23      | 1 X 23    | U N A       | V A I L A B L E |                   |
| 69167-X24      | 1 X 24    | U N A       | V A I L A B L E |                   |
| 69167-X25      | 1 X 25    | U N A       | V A I L A B L E |                   |
| 69167-X26      | 1 X 26    | U N A       | V A I L A B L E |                   |
| 69167-X27      | 1 X 27    | U N A       | V A I L A B L E |                   |
| 69167-X28      | 1 X 28    | U N A       | V A I L A B L E |                   |
| 69167-X29      | 1 X 29    | U N A       | V A I L A B L E |                   |
| 69167-X30      | 1 X 30    | U N A       | V A I L A B L E |                   |
| 69167-X31      | 1 X 31    | U N A       | V A I L A B L E |                   |
| 69167-X32      | 1 X 32    | U N A       | V A I L A B L E |                   |
| 69167-X33      | 1 X 33    | U N A       | V A I L A B L E |                   |
| 69167-X34      | 1 X 34    | U N A       | V A I L A B L E |                   |
| 69167-X35      | 1 X 35    | U N A       | V A I L A B L E |                   |
| 69167-X36      | 1 X 36    | U N A       | V A I L A B L E |                   |

| PIN PLATING CODES |  |
|-------------------|--|
| XXXXX-1YY         | 30u"/0.76u MIN (SEE NOTE 8) OVER 50u"/1.27u MIN NI     |
| XXXXX-2YY         | 15u"/0.38u MIN (SEE NOTE 8) OVER 50u"/1.27u MIN NI     |
| XXXXX-3YY         | 50u"/1.27u MIN (SEE NOTE 8) OVER 50u"/1.27u MIN NI     |
| XXXXX-4YY         | 100u"/2.54u MIN Sn OVER 50u"/1.27u MIN NI (SEE NOTE 9) |
| XXXXX-4YYHLF      |  |
| XXXXX-5YY         | 15u"/0.38u MIN (SEE NOTE 8) OVER 50u"/1.27u MIN NI     |
| XXXXX-6YY         | 30u"/0.76u MIN (SEE NOTE 8) OVER 50u"/1.27u MIN NI     |
| XXXXX-7YY         | 30u"/0.76u MIN (SEE NOTE 8) OVER 50u"/1.27u MIN NI     |
| XXXXX-8YY         | 15u"/0.38u MIN (SEE NOTE 8) OVER 50u"/1.27u MIN NI     |

NOTES:

- PART NUMBER OPTIONS:  
PIN PLATING CODES (SEE ABOVE)  
LEAD FREE:  
ADD "HLF" AT THE END OF PART NUMBER FOR LEAD FREE OPTION, NOT AVAILABLE FOR -5YY, -5YYH, -6YY, -6YYH.
- BODY MATERIAL:  
GLASS REINFORCED PCT COLOR: BLACK  
FLAME RETARDANT PER UL 94 V-0  
MAXIMUM OPERATING TEMPERATURE: 130° C  
OR  
MINERAL FILLED LCP, COLOR BLACK  
FLAME RETARDANT PER UL 94 V-0  
  
PART NUMBERS WITH "H" SUFFIX WILL WITHSTAND EXPOSURE TO 260°C PEAK TEMPERATURE FOR 20 SECONDS IN WAVE SOLDER, INFRA-RED OR VAPOR PHASE SOLDER PROCESS.  
PART NUMBERS WITHOUT "H" SUFFIX WILL WITHSTAND EXPOSURE TO 260°C PEAK TEMPERATURE FOR WAVE SOLDER PROCESS.
- PIN MATERIAL: 3/4 HARD PHOS-BRONZE.
- NO SLOTS ON 1 X 5 POSITION OR SMALLER PRODUCT. THE CENTER KEY SLOT WILL BE ON ALL HEADERS REGARDLESS OF SIZE.
- TWO NON-CRITICAL SIDES OF PIN TIP NOT PLATED, BOTH ENDS
- COMPANY LOGO MAY APPEAR IN THIS AREA.
- THESE PRODUCTS MEET EUROPEAN UNION DIRECTIVES AND OTHER COUNTRY REGULATION AS DESCRIBED IN GS-22-008.
- PLATING OPTIONS:  
PERFORMANCE PLATING WILL BE EITHER GOLD OR GXT ON CONTACT OR TAIL, OPTIONALLY (78~295u"/2~7.5u) TIN ON TAIL.
- \*THIS PRODUCT HAS 100% TIN PLATING IN THE INTERFACE AND HAS NOT BEEN TESTED FOR WHISKER GROWTH IN ALL INTERCONNECT ENVIRONMENTS.\*
- FOR POLARIZATION, SPECIFY POSITION NUMBER (i.e. A03=ROW A POSITION 03) TO OMIT PIN.  
OMIT FROM PRODUCT NUMBER IF THIS FEATURE IS NOT APPLICABLE.  
PRODUCT MANAGEMENT APPROVAL REQUIRED PRIOR TO RELEASE OR SALE OF POLARIZED PRODUCT.

( )

( )

( )

( )

A

B

C

D

A

B

C

D



FCIconnect.com

Copyright FCI

|                                       |                |          |  |                      |                                       |
|---------------------------------------|----------------|----------|--|----------------------|---------------------------------------|
| mat'l. code                           |                | surface  | tolerance  | projection           | product family                        |
|                                       |                | ISO 1302 | ISO 406<br>ISO 1101                                      |                      | HEADER                                |
| l                                     | tr             | ec       | n  | o                    | d                                     |
|                                       |                |          |  |                      |                                       |
| tolerances unless otherwise specified |                |          |  | title                |                                       |
| T                                     |                |          |  | FRICION LATCH HEADER |                                       |
|                                       |                | angles   | line   | SINGLE ROW VERTICAL  |                                       |
|                                       |                | 0°±2'    | XXX±.01/XXX.3<br>XXX±.005/XXX±0.13<br>XXX±.0020/XXX±0.05 | scale 4:1            |                                       |
|                                       |                | dr       | M.CLOUSER  | 11/27/90             | <br>dwg no 69167 sheet 2 of 3 size A3 |
|                                       |                | engr     | C.TREXTLER   | 11/27/90             |                                       |
|                                       |                | chr      | C.TREXTLER   | 11/27/90             |                                       |
|                                       |                | appd     | C.TREXTLER   | 11/27/90             |                                       |
| sheet index                           | revision sheet |          |  |                      | type Product Customer Drawing         |

| PRODUCT NUMBER | NO OF POS | DIM K       | DIM L           | TAIL LENGTH DIM M |
|----------------|-----------|-------------|-----------------|-------------------|
| 69167-X43      | 1 X 3     | .300/7.62   | .200/5.08       | .190/4.83         |
| 69167-X44      | 1 X 4     | .400/10.16  | .300/7.62       | .190/4.83         |
| 69167-X45      | 1 X 5     | .500/12.70  | .400/10.16      | .190/4.83         |
| 69167-X46      | 1 X 6     | .600/15.24  | .500/12.70      | .190/4.83         |
| 69167-X47      | 1 X 7     | .700/17.78  | .600/15.24      | .190/4.83         |
| 69167-X48      | 1 X 8     | .800/20.32  | .700/17.78      | .190/4.83         |
| 69167-X49      | 1 X 9     | .900/22.86  | .800/20.32      | .190/4.83         |
| 69167-X50      | 1 X 10    | 1.000/25.40 | .900/22.86      | .190/4.83         |
| 69167-X51      | 1 X 11    | 1.100/27.94 | 1.000/25.40     | .190/4.83         |
| 69167-X52      | 1 X 12    | 1.200/30.48 | 1.100/27.94     | .190/4.83         |
| 69167-X53      | 1 X 13    | 1.300/33.02 | 1.200/30.48     | .190/4.83         |
| 69167-X54      | 1 X 14    | 1.400/35.56 | 1.300/33.02     | .190/4.83         |
| 69167-X55      | 1 X 15    | 1.500/38.10 | 1.400/35.56     | .190/4.83         |
| 69167-X56      | 1 X 16    | U N A       | V A I L A B L E |                   |
| 69167-X57      | 1 X 17    | U N A       | V A I L A B L E |                   |
| 69167-X58      | 1 X 18    | U N A       | V A I L A B L E |                   |
| 69167-X59      | 1 X 19    | U N A       | V A I L A B L E |                   |
| 69167-X60      | 1 X 20    | U N A       | V A I L A B L E |                   |
| 69167-X61      | 1 X 21    | U N A       | V A I L A B L E |                   |
| 69167-X62      | 1 X 22    | U N A       | V A I L A B L E |                   |
| 69167-X63      | 1 X 23    | U N A       | V A I L A B L E |                   |
| 69167-X64      | 1 X 24    | U N A       | V A I L A B L E |                   |
| 69167-X65      | 1 X 25    | U N A       | V A I L A B L E |                   |
| 69167-X66      | 1 X 26    | U N A       | V A I L A B L E |                   |
| 69167-X67      | 1 X 27    | U N A       | V A I L A B L E |                   |
| 69167-X68      | 1 X 28    | U N A       | V A I L A B L E |                   |
| 69167-X69      | 1 X 29    | U N A       | V A I L A B L E |                   |
| 69167-X70      | 1 X 30    | U N A       | V A I L A B L E |                   |
| 69167-X71      | 1 X 31    | U N A       | V A I L A B L E |                   |
| 69167-X72      | 1 X 32    | U N A       | V A I L A B L E |                   |
| 69167-X73      | 1 X 33    | U N A       | V A I L A B L E |                   |
| 69167-X74      | 1 X 34    | U N A       | V A I L A B L E |                   |
| 69167-X75      | 1 X 35    | U N A       | V A I L A B L E |                   |
| 69167-X76      | 1 X 36    | U N A       | V A I L A B L E |                   |

|             |                |                                       |                                  |                      |  |
|-------------|----------------|---------------------------------------|----------------------------------|----------------------|--|
| mat'l. code |                | surface<br>ISO 1302                   | tolerance<br>ISO 406<br>ISO 1101 | projection<br>       | product family<br>HEADER   |
| l           | tr             | ec                                    | n                                | d                    | r  |
|             |                |                                       |                                  |                      |  |
| T           |                | tolerances unless otherwise specified |                                  | title                |  |
|             |                | angles                                | linear                           | INCH/MM              |  |
|             |                | 0°±2'                                 |                                  | FRICION LATCH HEADER |  |
|             |                |                                       |                                  | SINGLE ROW VERTICAL  |  |
|             |                | dr                                    | M.CLOUSER                        | 11/27/90             | scale 4:1  |
|             |                | enr                                   | C.TREXTLER                       | 11/27/90             |  |
|             |                | chr                                   | C.TREXTLER                       | 11/27/90             |  |
|             |                | app                                   | C.TREXTLER                       | 11/27/90             |  |
| sheet index | revision sheet |                                       |                                  |                      | dwg no 69167<br>sheet 5 of 3<br>size A3<br>type Product Customer Drawing |

## X-ON Electronics

Largest Supplier of Electrical and Electronic Components

*Click to view similar products for [Headers & Wire Housings](#) category:*

*Click to view products by [Amphenol](#) manufacturer:*

Other Similar products are found below :

[892-18-020-10-001101](#) [58102-G61-06LF](#) [582553-1](#) [0009485154](#) [009176003701906](#) [0050291907](#) [LY20-4P-DT1-P1E-BR](#) [02.125.8002.8](#)  
[609-3404](#) [61062-3](#) [622-0430](#) [622-3653LF](#) [63453-116](#) [636-1030](#) [636-1427](#) [636-3427](#) [636-4007](#) [641938-9](#) [641991-4](#) [644827-2](#) [65817-010LF](#)  
[65817-015LF](#) [65863-015LF](#) [66207-023LF](#) [67095-007LF](#) [67601157](#) [68648-049](#) [70.362.1628.0](#) [70-4210](#) [70-4226B](#) [70-4853B](#) [707-5020](#) [707-5028](#) [71.350.2428.0](#) [71918-208LF](#) [71961-016LF](#) [733-134](#) [733-162](#) [754199-000](#) [760-3052](#) [787-8014-00](#) [79531-3000](#) [FCN-360C032-B](#) [FCN-367T-T012/H](#) [FCN-723D010/2](#) [80.063.4001.1](#) [800-90-001-10-001000](#) [800-90-010-10-002000](#) [801-43-002-10-013000](#) [801-43-006-10-002000](#)