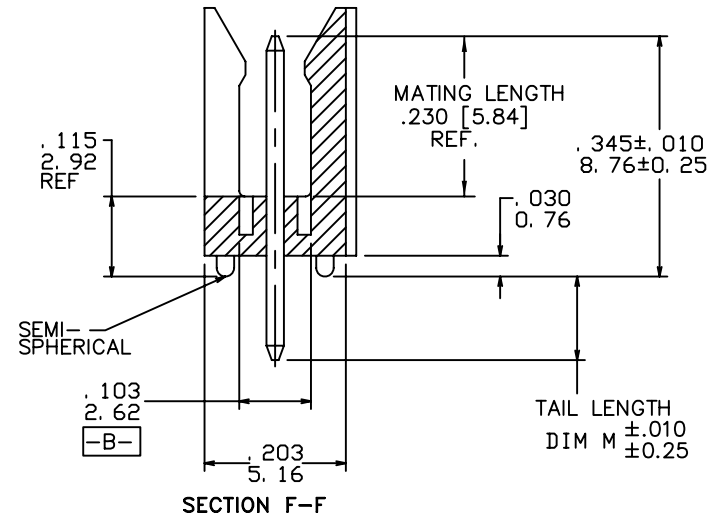
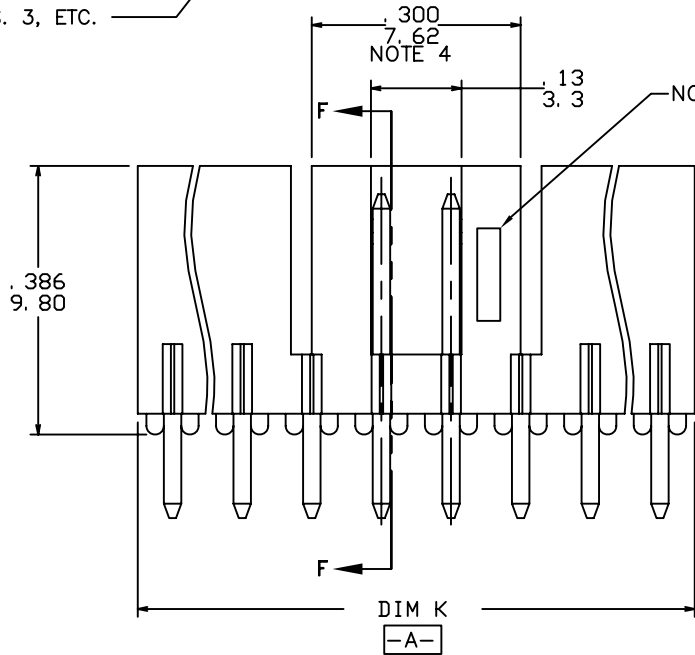
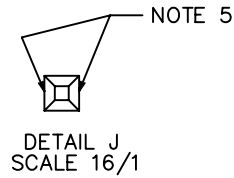
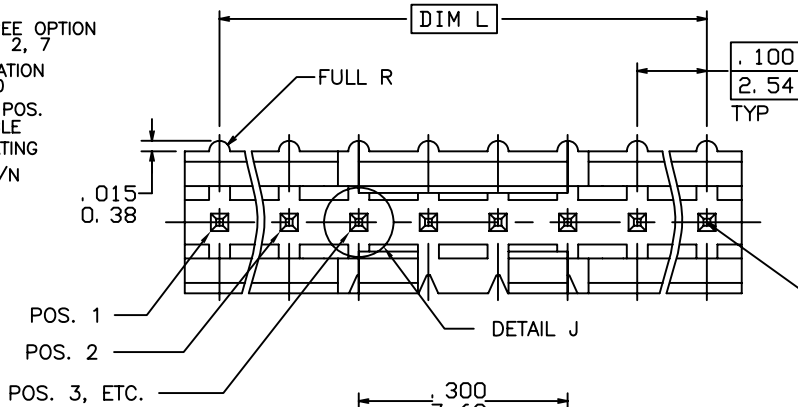


PRODUCT NUMBER  
69167-XXXXXXHLF

- LEAD FREE OPTION  
NOTE 1, 2, 7
- POLARIZATION  
NOTE 10
- NO. OF POS.  
SEE TABLE
- PIN PLATING
- BASE P/N



mat'l. code				surface ISO 1302		tolerance ISO 406 ISO 1101		projection		product family HEADER	
ltr				ecn no		dr		date		title	
T				ELX-N-011896		JZ		05/31/12		FRICION LATCH HEADER SINGLE ROW VERTICAL	
U				ELX-N-20582		J.H		03/30/15		scale 4:1	
N				MO5-0134		MHT		6/17/05		dr M.CLOUSER 11/27/90	
P				MO5-0176		ERE		08/05/05		enr C.TREXTLER 11/27/90	
R				MO6-0256		MHT		9/07/06		chr C.TREXTLER 11/27/90	
S				MO8-0291		MHT		10/06/08		appd C.TREXTLER 11/27/90	
sheet				revision		U		U		U	
index				sheet		1		2		3	

PRODUCT NUMBER	NO OF POS	DIM K	DIM L	TAIL LENGTH DIM M
69167-X03	1 X 3	.300/7.62	.200/5.08	.120/3.05
69167-X04	1 X 4	.400/10.16	.300/7.62	.120/3.05
69167-X05	1 X 5	.500/12.70	.400/10.16	.120/3.05
69167-X06	1 X 6	.600/15.24	.500/12.70	.120/3.05
69167-X07	1 X 7	.700/17.78	.600/15.24	.120/3.05
69167-X08	1 X 8	.800/20.32	.700/17.78	.120/3.05
69167-X09	1 X 9	.900/22.86	.800/20.32	.120/3.05
69167-X10	1 X 10	1.000/25.40	.900/22.86	.120/3.05
69167-X11	1 X 11	1.100/27.94	1.000/25.40	.120/3.05
69167-X12	1 X 12	1.200/30.48	1.100/27.94	.120/3.05
69167-X13	1 X 13	1.300/33.02	1.200/30.48	.120/3.05
69167-X14	1 X 14	1.400/35.56	1.300/33.02	.120/3.05
69167-X15	1 X 15	1.500/38.10	1.400/35.56	.120/3.05
69167-X16	1 X 16	U N A V A I L A B L E		
69167-X17	1 X 17	U N A V A I L A B L E		
69167-X18	1 X 18	U N A V A I L A B L E		
69167-X19	1 X 19	U N A V A I L A B L E		
69167-X20	1 X 20	U N A V A I L A B L E		
69167-X21	1 X 21	U N A V A I L A B L E		
69167-X22	1 X 22	U N A V A I L A B L E		
69167-X23	1 X 23	U N A V A I L A B L E		
69167-X24	1 X 24	U N A V A I L A B L E		
69167-X25	1 X 25	U N A V A I L A B L E		
69167-X26	1 X 26	U N A V A I L A B L E		
69167-X27	1 X 27	U N A V A I L A B L E		
69167-X28	1 X 28	U N A V A I L A B L E		
69167-X29	1 X 29	U N A V A I L A B L E		
69167-X30	1 X 30	U N A V A I L A B L E		
69167-X31	1 X 31	U N A V A I L A B L E		
69167-X32	1 X 32	U N A V A I L A B L E		
69167-X33	1 X 33	U N A V A I L A B L E		
69167-X34	1 X 34	U N A V A I L A B L E		
69167-X35	1 X 35	U N A V A I L A B L E		
69167-X36	1 X 36	U N A V A I L A B L E		

PIN PLATING CODES	
XXXX-1YY	30u"/0.76u MIN (SEE NOTE 8) OVER 50u"/1.27u MIN Ni
XXXX-2YY	15u"/0.38u MIN (SEE NOTE 8) OVER 50u"/1.27u MIN Ni
XXXX-3YY	50u"/1.27u MIN (SEE NOTE 8) OVER 50u"/1.27u MIN Ni
XXXX-4YY	
XXXX-4YYHLF	100u"/2.54u MIN Sn OVER 50u"/1.27u MIN Ni (SEE NOTE 9)
XXXX-5YY	15u"/0.38u MIN (SEE NOTE 8) OVER 50u"/1.27u MIN Ni
XXXX-6YY	30u"/0.76u MIN (SEE NOTE 8) OVER 50u"/1.27u MIN Ni
XXXX-7YY	30u"/0.76u MIN (SEE NOTE 8) OVER 50u"/1.27u MIN Ni
XXXX-8YY	15u"/0.38u MIN (SEE NOTE 8) OVER 50u"/1.27u MIN Ni

NOTES:

- PART NUMBER OPTIONS:  
PIN PLATING CODES (SEE ABOVE)  
LEAD FREE:  
ADD "HLF" AT THE END OF PART NUMBER FOR LEAD FREE OPTION, NOT AVAILABLE FOR -5YY, -5YYH, -6YY, -6YYH.
- BODY MATERIAL:  
GLASS REINFORCED PCT COLOR: BLACK  
FLAME RETARDANT PER UL 94 V-0  
MAXIMUM OPERATING TEMPERATURE: 130° C  
OR  
MINERAL FILLED LCP, COLOR BLACK  
FLAME RETARDANT PER UL 94 V-0  
  
PART NUMBERS WITH "H" SUFFIX WILL WITHSTAND EXPOSURE TO 260°C PEAK TEMPERATURE FOR 20 SECONDS IN WAVE SOLDER, INFRA-RED OR VAPOR PHASE SOLDER PROCESS.  
  
PART NUMBERS WITHOUT "H" SUFFIX WILL WITHSTAND EXPOSURE TO 260°C PEAK TEMPERATURE FOR WAVE SOLDER PROCESS.
- PIN MATERIAL: 3/4 HARD PHOS-BRONZE.
- NO SLOTS ON 1 X 5 POSITION OR SMALLER PRODUCT. THE CENTER KEY SLOT WILL BE ON ALL HEADERS REGARDLESS OF SIZE.
- TWO NON-CRITICAL SIDES OF PIN TIP NOT PLATED, BOTH ENDS
- COMPANY LOGO MAY APPEAR IN THIS AREA.
- THESE PRODUCTS MEET EUROPEAN UNION DIRECTIVES AND OTHER COUNTRY REGULATION AS DESCRIBED IN GS-22-008.
- PLATING OPTIONS:  
PERFORMANCE PLATING WILL BE EITHER GOLD OR GXT ON CONTACT OR TAIL, OPTIONALLY (78~295u"/2~7.5u) TIN ON TAIL.
- "THIS PRODUCT HAS 100% TIN PLATING IN THE INTERFACE AND HAS NOT BEEN TESTED FOR WHISKER GROWTH IN ALL INTERCONNECT ENVIRONMENTS."
- FOR POLARIZATION, SPECIFY POSITION NUMBER (i.e. A03=ROW A POSITION 03) TO OMIT PIN.  
OMIT FROM PRODUCT NUMBER IF THIS FEATURE IS NOT APPLICABLE.  
PRODUCT MANAGEMENT APPROVAL REQUIRED PRIOR TO RELEASE OR SALE OF POLARIZED PRODUCT.



Copyright FCI

mat'l. code		surface <input checked="" type="checkbox"/> ISO 1302	tolerance <input checked="" type="checkbox"/> ISO 406	projection	product family HEADER
ltr		tolerances unless otherwise specified			title FRICTION LATCH HEADER SINGLE ROW VERTICAL
U	ecn no	dr	date		
		angles	linear	INCH/MM	
		0°±2'	.XXX±.01/.X±0.3 .XXX±.005/.XX±0.13 .XXXX±.0020/.XXX±0.05	scale 4:1	
		dr	M.CLOUSER 11/27/90		dwg no
		enr	C.TREXTLER 11/27/90		sheet 2 of 4
		chr	C.TREXTLER 11/27/90		size
		appd	C.TREXTLER 11/27/90		A3
sheet	revision				type Product Customer Drawing
index	sheet				

PRODUCT NUMBER	NO OF POS	DIM K	DIM L	TAIL LENGTH DIM M	POLARIZATION PIN POSITION
69167-X43	1 X 3	.300/7.62	.200/5.08	.190/4.83	
69167-X44	1 X 4	.400/10.16	.300/7.62	.190/4.83	
69167-X45	1 X 5	.500/12.70	.400/10.16	.190/4.83	
69167-X46	1 X 6	.600/15.24	.500/12.70	.190/4.83	
69167-X47	1 X 7	.700/17.78	.600/15.24	.190/4.83	
69167-X48	1 X 8	.800/20.32	.700/17.78	.190/4.83	
69167-X49	1 X 9	.900/22.86	.800/20.32	.190/4.83	
69167-X50	1 X 10	1.000/25.40	.900/22.86	.190/4.83	
69167-X51	1 X 11	1.100/27.94	1.000/25.40	.190/4.83	
69167-X52	1 X 12	1.200/30.48	1.100/27.94	.190/4.83	
69167-X53	1 X 13	1.300/33.02	1.200/30.48	.190/4.83	
69167-X54	1 X 14	1.400/35.56	1.300/33.02	.190/4.83	
69167-X55	1 X 15	1.500/38.10	1.400/35.56	.190/4.83	
69167-X56	1 X 16	U N A V A I L A B L E			
69167-X57	1 X 17	U N A V A I L A B L E			
69167-X58	1 X 18	U N A V A I L A B L E			
69167-X59	1 X 19	U N A V A I L A B L E			
69167-X60	1 X 20	U N A V A I L A B L E			
69167-X61	1 X 21	U N A V A I L A B L E			
69167-X62	1 X 22	U N A V A I L A B L E			
69167-X63	1 X 23	U N A V A I L A B L E			
69167-X64	1 X 24	U N A V A I L A B L E			
69167-X65	1 X 25	U N A V A I L A B L E			
69167-X66	1 X 26	U N A V A I L A B L E			
69167-X67	1 X 27	U N A V A I L A B L E			
69167-X68	1 X 28	U N A V A I L A B L E			
69167-X69	1 X 29	U N A V A I L A B L E			
69167-X70	1 X 30	U N A V A I L A B L E			
69167-X71	1 X 31	U N A V A I L A B L E			
69167-X72	1 X 32	U N A V A I L A B L E			
69167-X73	1 X 33	U N A V A I L A B L E			
69167-X74	1 X 34	U N A V A I L A B L E			
69167-X75	1 X 35	U N A V A I L A B L E			
69167-X76	1 X 36	U N A V A I L A B L E			
69167-X77	1 X 10	1.000/25.40	.900/22.86	.120/3.05	2/3/5/6/8/9
69167-X78	1 X 4	1.000/25.40	.900/22.86	.120/3.05	2/3

mat'l. code		surface ISO 1302	tolerance ISO 406 ISO 1101	projection 	product family HEADER
ltr	ecn no	dr	date	tolerances unless otherwise specified	title
U				angles linear 0°±2'	FRICION LATCH HEADER SINGLE ROW VERTICAL
				linear XX±.01/XX±0.3 XXX±.005/XXX±0.13 XXXX±.0020/XXXX±0.05	INCH/MM scale 4:1
		dr	M.CLOUSER	11/27/90	dwg no
		enr	C.TREXTLER	11/27/90	sheet 3 of 4
		chr	C.TREXTLER	11/27/90	size
		appd	C.TREXTLER	11/27/90	A3
sheet index	revision sheet				type Product Customer Drawing

## X-ON Electronics

Largest Supplier of Electrical and Electronic Components

*Click to view similar products for [Headers & Wire Housings](#) category:*

*Click to view products by [Amphenol](#) manufacturer:*

Other Similar products are found below :

[892-18-020-10-001101](#) [58102-G61-06LF](#) [582553-1](#) [0009485154](#) [009176003701906](#) [0050291907](#) [LY20-4P-DT1-P1E-BR](#) [02.125.8002.8](#)  
[609-3404](#) [61062-3](#) [622-0430](#) [622-3653LF](#) [63453-116](#) [636-1030](#) [636-1427](#) [636-3427](#) [636-4007](#) [641938-9](#) [641991-4](#) [644827-2](#) [65817-010LF](#)  
[65817-015LF](#) [65863-015LF](#) [66207-023LF](#) [67095-007LF](#) [67601157](#) [68648-049](#) [70.362.1628.0](#) [70-4210](#) [70-4226B](#) [70-4853B](#) [707-5020](#) [707-](#)  
[5028](#) [71.350.2428.0](#) [71918-208LF](#) [71961-016LF](#) [733-134](#) [733-162](#) [754199-000](#) [760-3052](#) [787-8014-00](#) [79531-3000](#) [FCN-360C032-B](#) [FCN-](#)  
[367T-T012/H](#) [FCN-723D010/2](#) [80.063.4001.1](#) [800-90-001-10-001000](#) [800-90-010-10-002000](#) [801-43-002-10-013000](#) [801-43-006-10-002000](#)