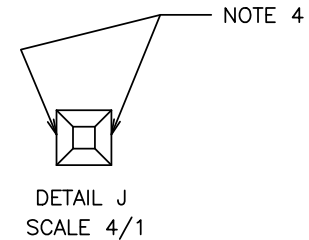
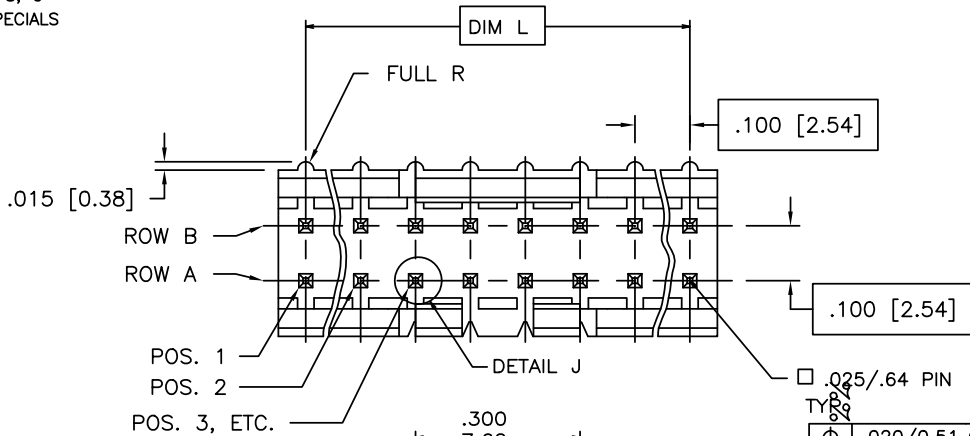


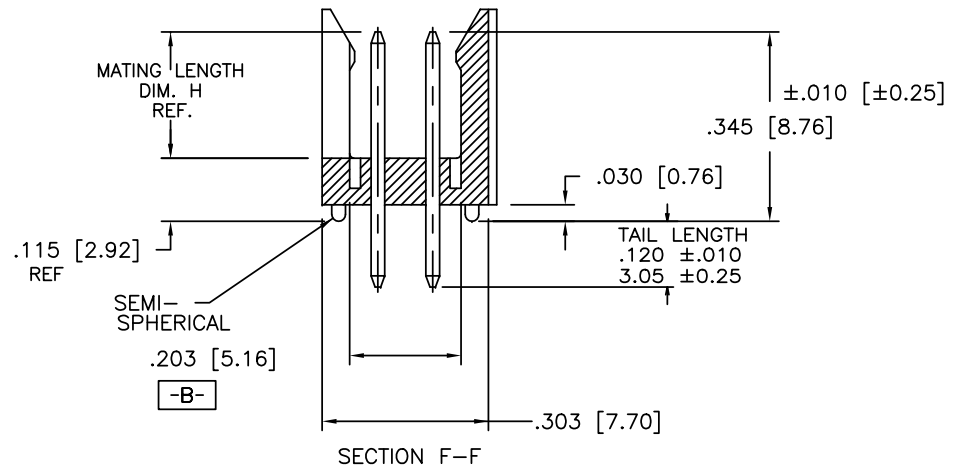
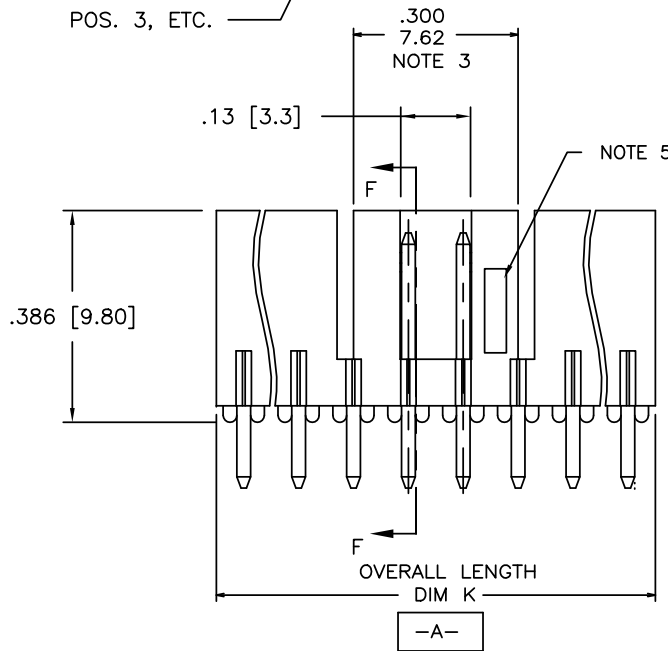
PRODUCT NUMBER

69168-XYZHLF

- LEAD FREE OPTION  
SEE NOTE 7, 8, 9
- CUSTOMER SPECIALS  
SEE NOTE 6
- NO. OF POS.  
SEE TABLE
- PIN PLATING
- BASE P/N



□ .025/.64 PIN  
TYPE  
⊕ .020/0.51 (M) A (S) B (S)  
AT TIPS  
BOTH ENDS



|                   |             |                                       |            |                                  |             |   |                   |                          |           |
|-------------------|-------------|---------------------------------------|------------|----------------------------------|-------------|---|-------------------|--------------------------|-----------|
| mat'l. code       |             | surface<br>ISO 1302 ✓                 |            | tolerance<br>ISO 406<br>ISO 1101 |             | projection<br>INCH/MM                         |                   | product family<br>HEADER |           |
| ltr ecn nldr date |             | tolerances unless otherwise specified |            | title                            |             | FRICITION LATCH HEADER<br>DOUBLE ROW VERTICAL |                   |                          |           |
| M                 | EX-N-011899 | JZ                                    | 2012-05-31 | angles                           | linear      | XXX±.01/XXX±0.3                               | XXX±.005/XXX±0.13 | XXX±.0020/XXX±0.051      | scale 3:1 |
| G                 | V03-0352    | GJP                                   | 03/25/03   | 0°±2'                            |             |   |                   |                          |           |
| H                 | M05-0134    | ERE                                   | 06/15/05   | dr                               | L.SADERS    | 5/3/95  |                   |                          |           |
| J                 | M06-0256    | MHT                                   | 9/07/06    | engr                             | L.FYE       | 5/3/95  |                   |                          |           |
| K                 | M08-0023    | MHT                                   | 1/28/08    | chr                              | T.BREWBAKER | 5/3/95  |                   |                          |           |
| L                 | M08-0291    | MHT                                   | 10/06/08   | appd                             | L.FYE       | 5/3/95  |                   |                          |           |
| sheet             | revision    | M                                     | M          |                                  |             |   |                   |                          |           |
| index             | sheet       | 1                                     | 2          |                                  |             |   |                   |                          |           |



Copyright FCI

| PRODUCT NUMBER | NO.OF POS. | MATING LENGTH DIM H | OVERALL LENGTH DIM K | DIM L       | NOTES  |
|----------------|------------|---------------------|----------------------|-------------|--------|
| 69168-X06      | 2 X 3      | 0.230/5.84          | 0.300/7.62           | 0.200/5.08  |        |
| -X08           | 2 X 4      | 0.230/5.84          | 0.400/10.16          | 0.300/7.62  |        |
| -X08A          | 2 X 4      | 0.210/5.33          | 0.400/10.16          | 0.300/7.62  | NOTE 6 |
| -X10           | 2 X 5      | 0.230/5.84          | 0.500/12.70          | 0.400/10.16 |        |
| -X10A          | 2 X 5      | 0.210/5.33          | 0.500/12.70          | 0.400/10.16 | NOTE 6 |
| -X12           | 2 X 6      | 0.230/5.84          | 0.600/15.24          | 0.500/12.70 |        |
| -X14           | 2 X 7      | 0.230/5.84          | 0.700/17.78          | 0.600/15.24 |        |
| -X16           | 2 X 8      | 0.230/5.84          | 0.800/20.32          | 0.700/17.78 |        |
| -X16A          | 2 X 8      | 0.210/5.33          | 0.800/20.32          | 0.700/17.78 | NOTE 6 |
| -X18           | 2 X 9      | 0.230/5.84          | 0.900/22.86          | 0.800/20.32 |        |
| -X18A          | 2 X 9      | 0.210/5.33          | 0.900/22.86          | 0.800/20.32 | NOTE 6 |
| -X20           | 2 X 10     | 0.230/5.84          | 1.000/25.40          | 0.900/22.86 |        |
| -X22           | 2 X 11     | 0.230/5.84          | 1.100/27.94          | 1.000/25.40 |        |
| -X24           | 2 X 12     | 0.230/5.84          | 1.200/30.48          | 1.100/27.94 |        |
| -X26           | 2 X 13     | 0.230/5.84          | 1.300/33.02          | 1.200/30.48 |        |
| -X28           | 2 X 14     | 0.230/5.84          | 1.400/35.56          | 1.300/33.02 |        |
| 69168-X30      | 2 X 15     | 0.230/5.84          | 1.500/38.10          | 1.400/35.56 |        |

NOTES:

- MOLDING MAT'L: GLASS REINFORCED PCT, COLOR: BLACK  
FLAME RETARDANT PER UL 94 V-0  
MAXIMUM OPERATING TEMPERATURE: 130° C  
OR  
MINERAL FILLED LCP, COLOR BLACK  
FLAME RETARDANT PER UL 94 V-0
- PIN MATERIAL: 3/4 HD PHOS. BRZ.
- NO SLOTS ON 2 X 5 POSITION OR SMALLER PRODUCT. THE CENTER KEY SLOT WILL BE ON ALL HEADERS REGARDLESS OF SIZE.
- TWO NON-CRITICAL SIDES OF PIN TIP NOT PLATED, BOTH ENDS.
- COMPANY LOGO MAY APPEAR IN THIS AREA.
- CUSTOMER SPECIAL -- "A" SUFFIX INDICATES 0.210/5.33 MATING LENGTH.
- ADD "HLF" SUFFIX AT THE END OF PART NUMBER FOR LEAD FREE OPTION, NOT AVAILABLE FOR -5YY, -5YYH, -6YY & -6YYH.
- PART NUMBERS WITH "H" SUFFIX WILL WITHSTAND EXPOSURE TO 260°C PEAK TEMPERATURE FOR 20 SECONDS IN WAVE SOLDER, INFRA-RED OR VAPOR PHASE SOLDER PROCESS.  
  
PART NUMBERS WITHOUT "H" SUFFIX WILL WITHSTAND EXPOSURE TO 260°C PEAK TEMPERATURE FOR WAVE SOLDER PROCESS.
- THIS PRODUCT MEETS EUROPEAN UNION DIRECTIVES AND OTHER COUNTRY REGULATION AS DESCRIBED IN GS-22-008.
- PLATING OPTIONS:  
PERFORMANCE PLATING WILL BE EITHER GOLD OR GXT ON CONTACT OR TAIL, OPTIONALLY (78~295u"/2~7.5u) TIN ON TAIL.
- "THIS PRODUCT HAS 100% TIN PLATING IN THE INTERFACE AND HAS NOT BEEN TESTED FOR WHISKER GROWTH IN ALL INTERCONNECT ENVIRONMENTS."

PIN PLATING CODES

|         |  |
|---------|--|
| -1YY    | 30u"/.76u (SEE NOTE 10) 50u"/1.27u Ni          |
| -2YY    | 15u/.38u (SEE NOTE 10) 50u"/1.27u Ni           |
| -3YY    | 50u"/1.27u (SEE NOTE 10) 50u"/1.27u Ni         |
| -4YY    | 100u"/2.54u MIN Sn 50u"/1.27u Ni (SEE NOTE 11) |
| -4YYHLF |  |
| -5YY    | 15u"/.38u (SEE NOTE 10) 50u"/1.27u Ni          |
| -6YY    | 30u"/.76u (SEE NOTE 10) 50u"/1.27u Ni          |
| -7YY    | 30u"/.76u (SEE NOTE 10) OVER 50u"/1.27u Ni     |
| -8YY    | 15u"/.38u (SEE NOTE 10) OVER 50u"/1.27u Ni     |

|                   |                                       |                                  |                |   |
|-------------------|---------------------------------------|----------------------------------|----------------|---|
| mat'l. code       | surface<br>ISO 1302 ✓                 | tolerance<br>ISO 406<br>ISO 1101 | projection<br> | product family<br>HEADER                              |
| ltr ecn nldr date | tolerances unless otherwise specified |                                  | INCH/MM        | title<br>FRICTION LATCH HEADER<br>DOUBLE ROW VERTICAL |
| M                 | angles                                | linea                            | scale 3:1      | dwg no<br>69168                                       |
|                   | 0±2'                                  |                                  |                | sheet 2 of 2 size<br>A3                               |
|                   | dr L.SADERS                           | 5/3/95                           |                | type Product Customer Drawing                         |
|                   | engr L.FYE                            | 5/3/95                           |                |   |
|                   | chr T.BREWBAKER                       | 5/3/95                           |                |   |
|                   | appd L.FYE                            | 5/3/95                           |                |   |
| sheet index       | revision sheet                        |                                  |                |   |

## X-ON Electronics

Largest Supplier of Electrical and Electronic Components

*Click to view similar products for [Headers & Wire Housings](#) category:*

*Click to view products by [Amphenol](#) manufacturer:*

Other Similar products are found below :

[95000-104TRLF](#) [10135584-644402LF](#) [DF62W-EP2022PCA](#) [95000-106TRLF](#) [DF62W-2022SCA](#) [DF62W-EP2022PC](#) [2203348](#) [DF62W-2022SC](#) [1084018](#) [1029039](#) [1084017](#) [802-10-012-10-002000](#) [1112640](#) [1112639](#) [000-34000](#) [0009482033](#) [0009507031](#) [57102-S06-03LF](#) [57202-S52-04LF](#) [PCN6-15S-2.5E](#) [0039019024](#) [58102-G61-06LF](#) [582553-1](#) [0009485154](#) [0009508121](#) [0022285053](#) [0050291907](#) [018731A](#) [LY20-4P-DT1-P1E-BR](#) [02.125.8002.8](#) [60101931](#) [60598-1 \(Cut Strip\)](#) [M1625-3R/100](#) [61062-3](#) [61082-181009](#) [636-1427](#) [638009-1](#) [641938-9](#) [641991-4](#) [644168-1](#) [647662-1](#) [65039-019ELF](#) [65781-047](#) [65817-002LF](#) [65817-015LF](#) [65863-015LF](#) [66207-023LF](#) [67016-026LF](#) [67046-001LF](#) [67095-007LF](#)