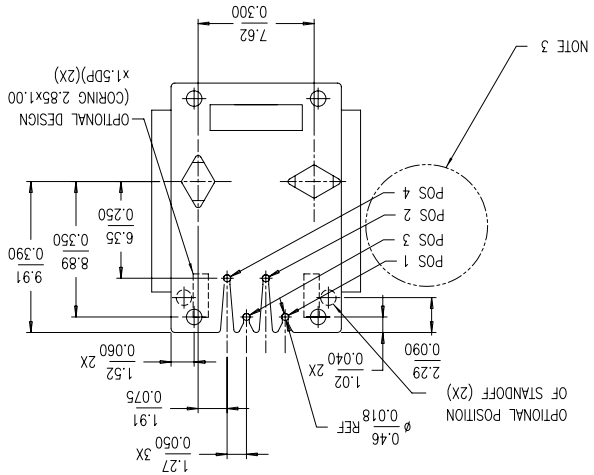
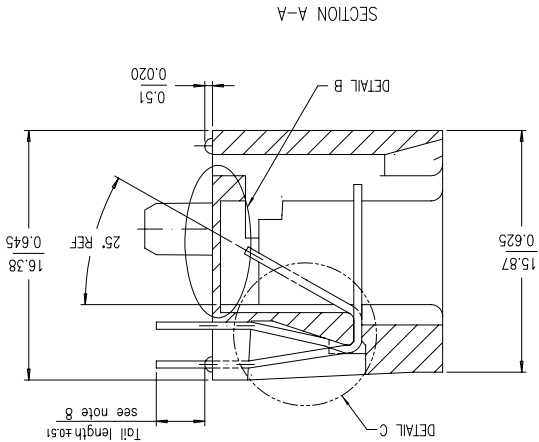
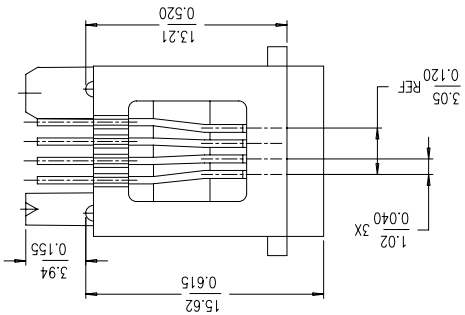
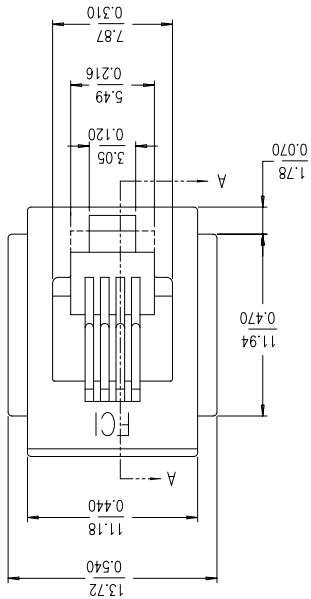
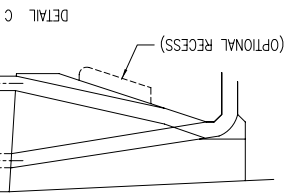
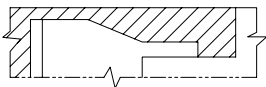


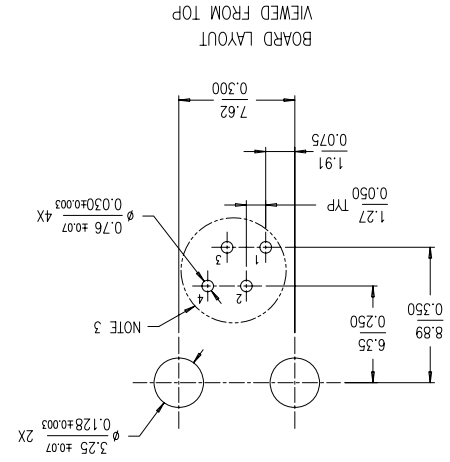
DETAIL B - 90° ROTATED  
(OPTIONAL DESIGN  
BERG TAIWAN ONLY)



mat'l. code	ISO1302	ISO1011 ISO406	projection	product family	MOD JACK
litr. ecn no	dr	date	tolerances unless otherwise specified	title	
N	S90142	JSR	10/4/99	4 POS VERTICAL	
P	N05-0002	YS	01/06/05	P.C.B. MOD JACK ASSY	
R	N08-0170	SH MM0	10/10/08	scale 2.0	
S	N09-0092	SH MM0	05/25/09	dwg no	69253
T	EX-N-01070	SH MM0	03/14/12	Product Customer Drawing	A4
U	EX-N-21224	J.H	06/24/15		
sheet revision	U	U	app'd JENN TSAO		
sheet	1	2	02/21/97		



PRODUCT NO.	POSITIONS	CONTACT PLATING	HOUSING COLOR	NOTES
69253-001	ALL	5u" Au	BLACK	-
-001F				
-011F				
-002				
-002F				
-012F				
ALL		5u" Au	BLACK	-
-003F				
-003				
ALL		5u" Au	BLACK	NOTE 1
-013F				
-004				
-004F		50u" / 1.27u GXT	BLACK	-
-014F				
-005				
-005F		5u" Au	GREY	-
-015F				
-006				
-006F		15u" GXT	BLACK	-
-016F				
-202				
-202F		5u" Au	BLACK	-
-212F				



- NOTE :
- ① SPECIAL PACKAGING.
  - 2 GXT IS 0.76um / 30u" OR 0.28um / 15u" MIN GXT WITH Au FLASH OVER 1.27um / 50u" MIN NI.
  - ③ THIS PIN NUMBERING IS OPPOSITE TO FCC.
  - PART 68, SUBPART F REQUIREMENTS.
  - 4 THIS PRODUCT MEETS EUROPEAN UNION DIRECTIVES AND OTHER COUNTRY REGULATIONS AS DESCRIBED IN GS-22-008.
  - 5 THE HOUSING WILL WITHSTAND EXPOSURE TO 260°C PEAK TEMPERATURE FOR 10 SECONDS IN A WAVE SOLDER APPLICATION WITH A 1.6mm MINIMUM THICK CIRCUIT BOARD.
  - 6 IF LF P/N PACKAGING MEETS GS-14-920 SPECIFICATION.
  - ⑦ PLATING OPTIONS:  
MAY BE EITHER GOLD OR GXT PLATED AT MANUFACTURER'S OPTION.
  - 8 PART NUMBER: 69253-XXXXLF
  - LEAD FREE PRODUCT NO.
  - SEE TABLE
  - 0: MEETS WAVE SOLDER PROCESS PRODUCT NO.
  - 1: MEETS PIP PROCESS PRODUCT NO.
  - 0: TAIL LENGTH=3.18/125.
  - 2: TAIL LENGTH=4.00/157.

mat'l. code	surface tolerance	ISO1302	ISO101	ISO406	projection	product family	MOD JACK
ltr ecn no	dr date	tolerances unless otherwise specified			title	MOD JACK	
N	S90142	JSR	10/4/99	10.X±0.3	angles	4 POS VERTICAL	P.C.B. MOD JACK ASSY
P	N05-0002	YS	01/06/05	0.XX±0.15	mm	scale 2.0	
R	N08-0170	SH MM0	10/10/08	0.±2"	mm	scale 2.0	
S	N09-0092	SH MM0	05/25/09	dr	C L FENG	02/21/97	
T	EX-N-01070	SH MM0	03/14/12	engr	TONY CHIEN	02/21/97	
U	EX-N-21224	J.H	06/24/15	chr	TONY CHIEN	02/21/97	
sheet revision	sheet	index	sheet	revision	sheet	index	sheet

Product Customer Drawing

dwg no 69253



sheet, 2 of 2 size A4

type Product Customer Drawing

Product Customer Drawing

Product Customer Drawing

Product Customer Drawing

Product Customer Drawing

Product Customer Drawing

Product Customer Drawing

Product Customer Drawing

Product Customer Drawing

Product Customer Drawing

Product Customer Drawing

Product Customer Drawing

Product Customer Drawing

Product Customer Drawing

Product Customer Drawing

Product Customer Drawing



B

B

A

A

## X-ON Electronics

Largest Supplier of Electrical and Electronic Components

*Click to view similar products for [Modular Connectors](#) / [Ethernet Connectors](#) category:*

*Click to view products by [Amphenol](#) manufacturer:*

Other Similar products are found below :

[RJE231881317T](#) [MP1010RX-1000](#) [MP44RX-1000](#) [GAX-3-66](#) [GAX-8-62](#) [93606-0253](#) [GD-A-44](#) [GDCX-PA-66-50](#) [GDCX-PN-64](#) [GDCX-PN-66](#) [GDCX-PN-66-50](#) [GDLX-A-66](#) [GDLX-A-88](#) [GDLX-N-66](#) [GDLX-S-88K](#) [GDTX-S-88-50](#) [GDX-PA-1010](#) [GLX-N-1010M-BLK](#) [GLX-N-44M](#) [GLX-S-88M-BLK](#) [GMX-N-1010](#) [GMX-S-1010](#) [GMX-S-66](#) [GMX-SMT2-N-1010](#) [GMX-SMT2-N-64-50](#) [GMX-SMT2-S6-88](#) [GMX-SMT4-N-88](#) [GPX-2-64](#) [GRT1-BT1-5](#) [GSGX-N-2-88](#) [GSX-NS2-88-3.05](#) [GSX-NS2-88-3.05-50](#) [GSX-NS-88-3.05-30](#) [GSX-NS-88-3.05-50](#) [GSX-NS-88-3.68](#) [1-1775629-2](#) [GWLX-S-88-GR](#) [GWLX-S9-88-YG](#) [1300500326](#) [1300500227](#) [1300530003](#) [1300570002](#) [1324640-4](#) [RJ11FTVC2G](#) [RJ11FTVC2N](#) [RJFTVX2SA1G](#) [132764-001](#) [1400000](#) [1413176](#) [1413235](#)