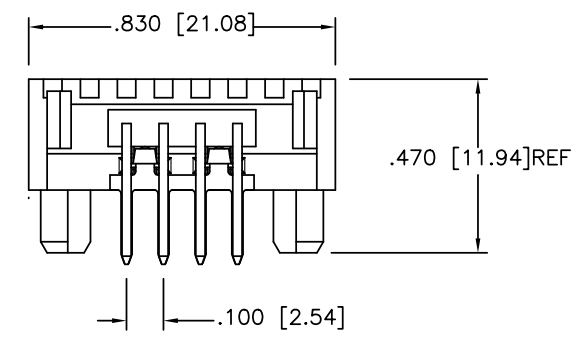
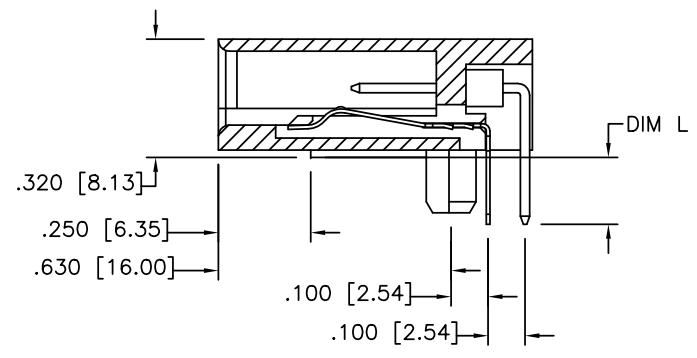
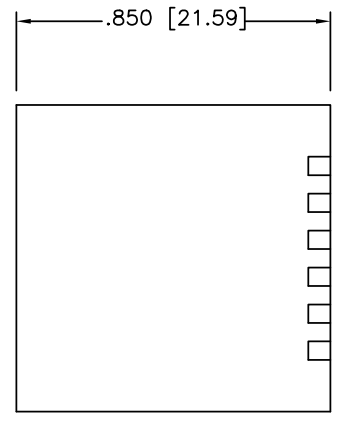


PRODUCT NUMBER  
SEE TABLE



mat'l. code		surface ISO 1302 ✓		tolerance ISO 406 ISO 1101		projection ASME Y14.5		product family LATCH-N-LOK	
ltr ecn no dr date		tolerances unless otherwise specified		title		INCH/MM		1X4 LNL RT ANGLE HEADER ASSEMBLY	
K	ELX-N-008442	ZK	11/29/11	angles	line	scale 2:1		dwg no 69273	
E	M05-0033	ERE	2/25/05	0°±2'				sheet 1 of 2 size A3	
F	M05-0052	MHT	3/16/05	chr	J. LINN	7/17/90		type Product Customer Drawing	
G	M06-0285	AGS	7/28/06	engr	D. HORCHLER	7/17/90			
H	M06-0365	AGS	9/20/06	chr	D. HORCHLER	7/17/90			
J	M09-0048	MHT	3/12/09	app	D. HORCHLER	7/17/90			
sheet	revision	K	K						
index	sheet	1	2						

FCI  
FCIconnect.com

Copyright FCI

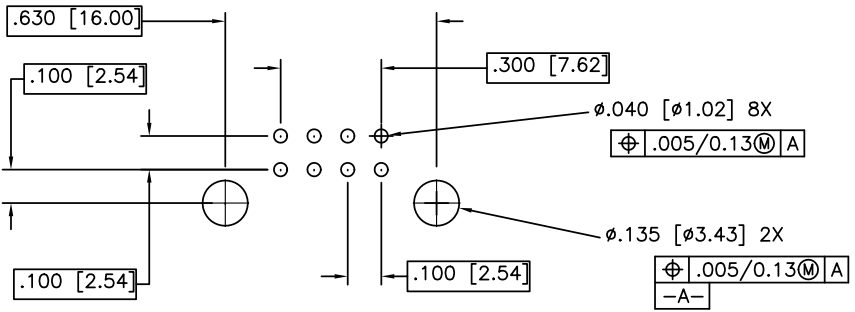
69273-XXXXLF

LEAD FREE OPTION (6) (7)

COLOR (4)		
1	70343 LT GRAY	OBS
2	80166 OFF WHITE	
3	70634 DK GRAY	OBS
4	701 BLACK	
5	70541 SLATE GRAY	OBS
7	70455 SILVER GRAY	
8	80189 PEARL WHITE	OBS
9	70419 PEBBLE GRAY	

PLATING (3)	
0	30u" MIN OVER 50u"MIN Ni
3	30u" MIN OVER 50u"MIN Ni
5	50u" MIN OVER 50u"MIN Ni

PIN LENGTH	
	DIM L
0	.150/3.81
1	.110/2.79



RECOMMENDED PCB LAYOUT

- NOTES:
- HEADER SHROUD  
MAT'L: HIGH TEMPERATURE THERMOPLASTIC.  
UL-94V-0 RATED.
  - GROUND CONTACT  
MAT'L: COPPER ALLOY  
PLATING: 100-150u"/2.54-4.06u TIN.
  - SIGNAL CONTACT  
MAT'L: COPPER ALLOY  
PLATING: PERFORMANCE PLATING WILL BE EITHER GOLD OR GXT ON CONTACT AREA OR TAIL, OPTIONALLY (78-295u") TIN ON TAIL.
  - NUMBERS SHOWN ARE FOR G.E. LEXAN AND ARE FOR REFERENCE ONLY.
  - THIS ASSEMBLY U.L. APPROVED PER FILE E66906 VOL. 1, SEC 84 AND CSA APPROVED PER MASTER FILE LR 46923
  - (6) ADD LF SUFFIX AT THE END OF PART NUMBER FOR LEAD FREE OPTION.
  - THE HOUSING WILL WITHSTAND EXPOSURE TO 260°C PEAK TEMPERATURE FOR 15 SECONDS IN A WAVE SOLDER APPLICATION WITH A 1.5mm MINIMUM THICK CIRCUIT BOARD. SEE APPLICATION NOTES/PROCEDURES IF THEY ARE AVAILABLE.
  - (8) THIS PRODUCT MEETS EUROPEAN UNION DIRECTIVES AND OTHER COUNTRY REGULATION AS DESCRIBED IN GS-22-008.
  - PRODUCT SPEC: GS-12-003

mat'l. code		surface / tolerance ISO 1302 / ISO 406 / ISO 1101		projection	product family LATCH-N-LOK	
ltr ecn nqdr date		tolerances unless otherwise specified		INCH/MM	title 1X4 LNL RT ANGLE HEADER ASSEMBLY	
K		angles line			scale 2:1	
		dr J. LINN 7/17/90		FCI	dwg no sheet 2 of 2 size	
		enfr D. HORCHLER 7/17/90			69273 A3	
		chr D. HORCHLER 7/17/90			type Product Customer Drawing	
sheet index		revision sheet				

## X-ON Electronics

Largest Supplier of Electrical and Electronic Components

*Click to view similar products for [I/O Connectors](#) category:*

*Click to view products by [Amphenol](#) manufacturer:*

Other Similar products are found below :

[571763P](#) [58098-0628](#) [61-168618-12P](#) [D38999/20FJ29SB L/C](#) [72.250.1628.2](#) [72.250.2428.2](#) [74720-0505](#) [747680210](#) [76.350.0729.0](#) [76871-1403](#) [FCN-244F080-G/1](#) [FCN-260A9920](#) [FCN-268D024-G/2F#10X-R10](#) [MP-5T180MUNNA-005](#) [MP-5XRJ45UNNB-003](#) [PCS-E50FA](#) [PCS-XE26LKA](#) [PCS-XE26MA+](#) [PCS-XES68MS+](#) [G38A71314B](#) [91-569719-35R](#) [9776-18-6](#) [DX40-50P\(55\)](#) [1571250010](#) [157-22500-3](#) [MS3471L14-19P L/C](#) [171224-6031](#) [1888020-8](#) [91-569786-35H](#) [91-569786-35M](#) [91-644626-35P](#) [172501-4002](#) [172501-6002](#) [FCN-260C008-A/L0](#) [FCN-260C024-AL0](#) [FCN-268D008-G/1K](#) [2000314-1](#) [200331-1](#) [2007498-2](#) [PCR-E28LMDAG1+](#) [PCR-E36FC+](#) [PCS-E28FS+](#) [PCS-XE26SLFD+](#) [PCS-XE26SLFDT+](#) [G38A71214B](#) [HDRA-E68W1LFDTC-SL+](#) [HDR-E14MSG1+](#) [R88A-CNK81S](#) [CRT1-ATT02](#) [54182-0605](#)