

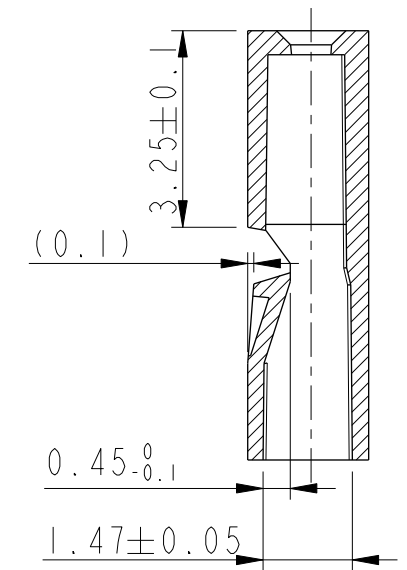
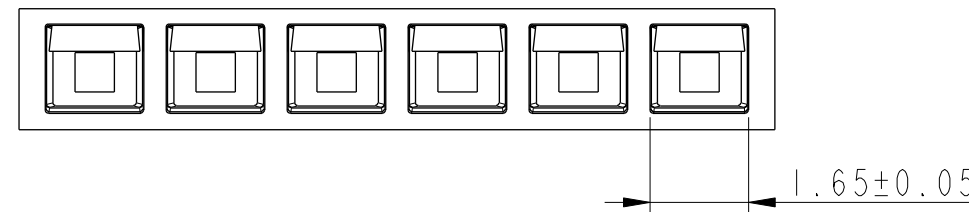
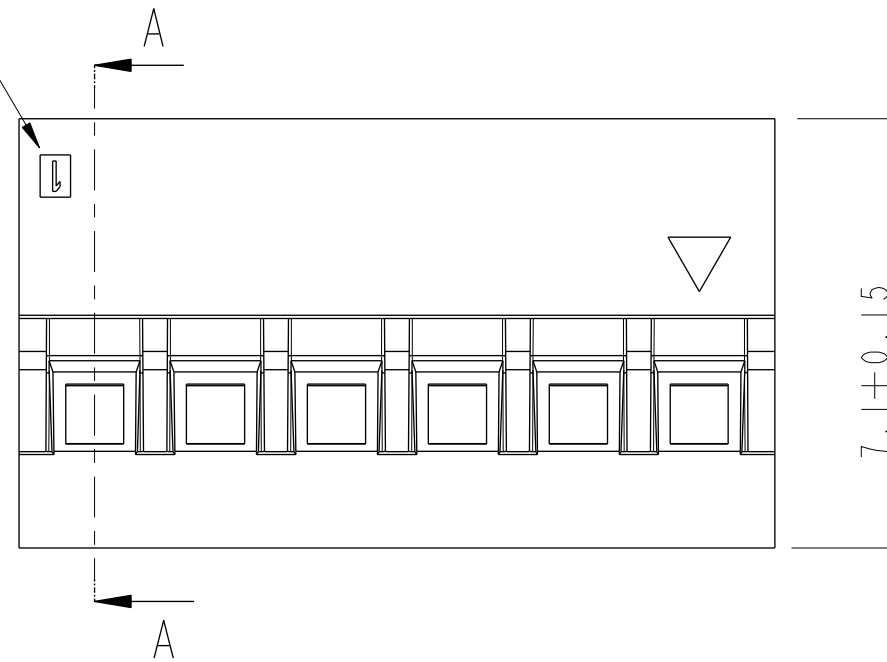
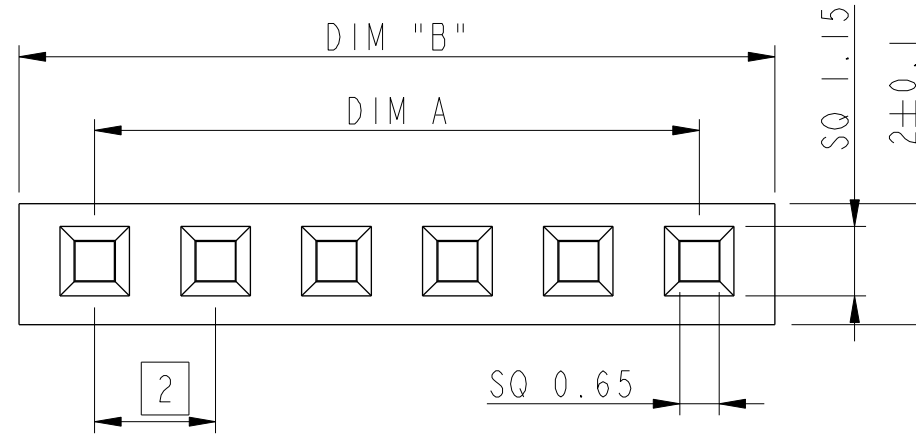
PRODUCT NUMBER	SIZE	DIM A	DIM B
69305-003LF	1x3	4.0	6.4
69305-004LF	1x4	6.0	8.4
69305-005LF	1x5	8.0	10.4
69305-006LF	1x6	10.0	12.4
69305-007LF	1x7	12.0	14.4
69305-008LF	1x8	14.0	16.4
69305-009LF	1x9	16.0	18.4
69305-010LF	1x10	18.0	20.4
69305-011LF	1x11	20.0	22.4
69305-012LF	1x12	22.0	24.4
69305-013LF	1x13	24.0	26.4
69305-014LF	1x14	26.0	28.4
69305-015LF	1x15	28.0	30.4
69305-016LF	1x16	30.0	32.4
69305-017LF	1x17	32.0	34.4

PRODUCT NUMBER

69305-0XXLF

TOTAL NUMBER OF POS 03 UP TO 17

NOTE 5



SECTION A-A

NOTES:

- 1 - MATERIAL : PA66 25% GLASSFILLED, UL94V-0 COLOR BLACK.
- 2 - PRODUCT MEETS EUROPEAN UNION DIRECTIVES AND OTHERS REGULATIONS AS DESCRIBED IN GS-47-004.
- 4 - THIS PRODUCT IS NOT INTENDED TO BE EXPOSED TO MANUFACTURING SOLDER PROCESSES.
- 5 - INDICATES POS 1, WHEN MATED WITH 95000 SERIE.
- 6 - FOR USE WITH MINITEK CRIMP TO WIRE CONTACT 77138 (26-30AWG) OR 10044403 (22-24AWG).
- 7 - PRODUCT SPECIFICATION AS PER 110-036, CRIMP RECOMMENDATIONS AS PER GS-20-058

TOLERANCES UNLESS OTHERWISE SPECIFIED

	0.X	±0.3	-	-	-	-
LINEAR	0.XX	±0.13	-	-	-	-
	0.XXX	±0.050	-	-	-	-
	ANGULAR	0°	±2°	-	-	-

Material		NOTE 1		Spec ref	
Mat code		N/A		✓	tolerance
Heattreat		N/A			
Plating/Finish		N/A			
Dr	E.KROPIEWN	1999-11-08	Product family		MINITEK
Eng	L. GREEN	1999-11-08	Model Name		69305
Chr	J.COMPAGNON	2012-08-30	Model Revision		REL Level proi_release
Appr	JCO	2012-08-30	size		A3
Scale		8:1		Rev.	
FCI		MINITEK CTW HOUSING		69305	
SINGLE ROW		dwg no		N	
Pro/E file		catalog no		CUSTOMER	
sheet 1 of 1		sheet 1 of 1		sheet 1 of 1	

X-ON Electronics

Largest Supplier of Electrical and Electronic Components

Click to view similar products for [Headers & Wire Housings](#) category:

Click to view products by [Amphenol](#) manufacturer:

Other Similar products are found below :

[892-18-020-10-001101](#) [58102-G61-06LF](#) [582553-1](#) [0009485154](#) [009176003701906](#) [0050291907](#) [LY20-4P-DT1-P1E-BR](#) [02.125.8002.8](#)
[609-3404](#) [61062-3](#) [622-0430](#) [622-3653LF](#) [63453-116](#) [636-1030](#) [636-1427](#) [636-3427](#) [636-4007](#) [641938-9](#) [641991-4](#) [644827-2](#) [65817-010LF](#)
[65817-015LF](#) [65863-015LF](#) [66207-023LF](#) [67095-007LF](#) [67601157](#) [68648-049](#) [70.362.1628.0](#) [70-4210](#) [70-4226B](#) [70-4853B](#) [707-5020](#) [707-5028](#) [71.350.2428.0](#) [71918-208LF](#) [71961-016LF](#) [733-134](#) [733-162](#) [754199-000](#) [760-3052](#) [787-8014-00](#) [79531-3000](#) [FCN-360C032-B](#) [FCN-367T-T012/H](#) [FCN-723D010/2](#) [80.063.4001.1](#) [800-90-001-10-001000](#) [800-90-010-10-002000](#) [801-43-002-10-013000](#) [801-43-006-10-002000](#)