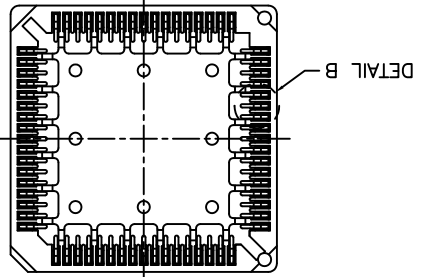
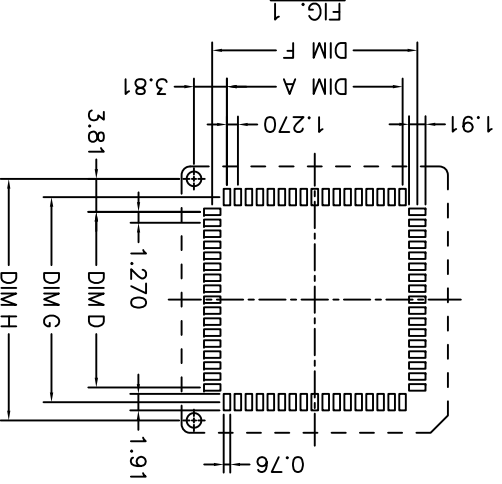
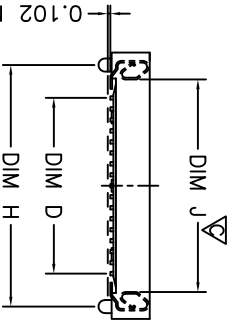
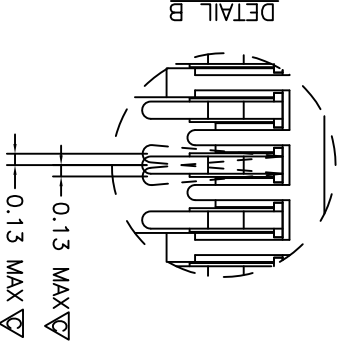
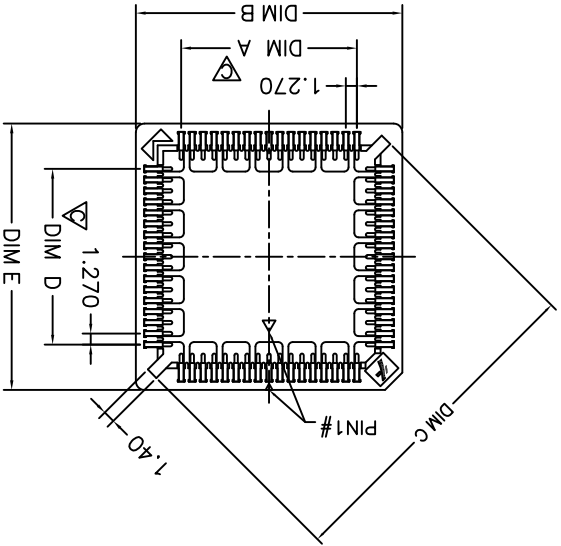
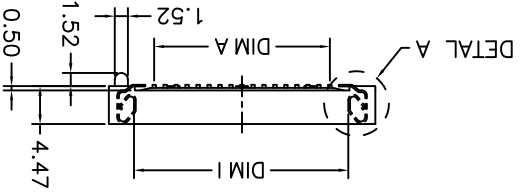
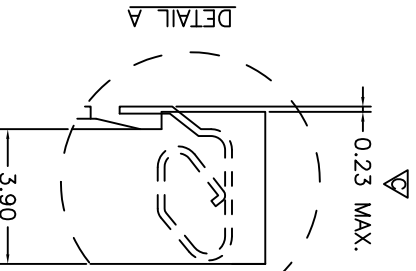


NOTE: DIMENSIONAL MARK ∇ TO BE CHECKED BY OQC.



rev	ecn no	dr	date
Y	T10136	JH	3/18/01
AA	T03-0452	JH	10/13/03
AB	T05-0017	JH	1/24/05
AC	T05-0114	JH	5/9/05
AD	T05-0212	JH	9/21/05
AE	T06-0070	JH	5/8/06
AF	T11-0002	JH	1/11/11

www.fciconnect.com		TOLERANCES UNLESS OTHERWISE SPECIFIED		projection		MM	
surface	-	ANGULAR	0X	size	A4	Scale	N/A
LINEAR	±5°	±0.15	±0.25	ECN	T11-0002	Product family	
Product family	Joseph Hsia	1/11/11	1/11/11	Spec ref		Dr	Jason Hsu
Chr	Gary Hsieh	1/11/11	1/11/11	Appr	Joseph Hsia	Eng	Jason Hsu
catalog no	PLCC SMT Socket		0.0XX	0.10	Product family	Dr	Jason Hsu
title	PLCC SMT Socket		0.0XX	±0.10	Product family	Appr	Joseph Hsia
dmg no	-		0.0XX	±0.10	Product family	Chr	Gary Hsieh
customer	CUSTOMER		0.0XX	±0.10	Product family	Eng	Jason Hsu
sheet 1 of 5	69802		0.0XX	±0.10	Product family	Appr	Joseph Hsia
Rev.	AF		0.0XX	±0.10	Product family	Chr	Gary Hsieh

D

C

B

A



TABLE II

PART NO.	WITH POLARIZING PEGS	PACKAGING BY PVC TUBE	PACKAGING BY TAPE & REEL	MCK PART NO.
69802-0XX	✓	✓	✓	PLCC-XXP-T-SMT-P
69802-1XX		✓		PLCC-XXP-T-SMT
69802-4XX			✓	PLCC-XXP-T-SMT-TR
69802-0XXPT	✓	✓		PLCC-XXP-T-SMT-P-PT
69802-1XXPT		✓		PLCC-XXP-T-SMT-PT
69802-4XXPT			✓	PLCC-XXP-T-SMT-TR-PT
69802-0XXLF	✓	✓		PLCC-XXP-T-SMT-P-LF
69802-1XXLF		✓		PLCC-XXP-T-SMT-LF
69802-4XXLF			✓	PLCC-XXP-T-SMT-TR-LF

TABLE I

NO. OF CONTACTS	DIM. A	DIM. B	DIM. C	DIM. D	DIM. E	DIM. F	DIM. G	DIM. H	DIM. I	DIM. J
20	5.08	15.24	16.70	5.08	15.24	8.48	8.48	12.70		9.40
28	7.62	17.78	20.30	7.62	17.78	11.02	11.02	15.24	11.94	11.94
32	7.62	17.78	22.50	10.16	20.32	13.56	17.78	17.78	11.94	14.48
44	12.70	22.86	27.50	12.70	22.86	16.10	16.10	20.32		17.02
52	15.24	25.40	31.10	15.24	25.40	18.64	18.64	22.86		19.56
68	20.32	30.82	38.30	20.32	30.82	23.72	23.72	27.94		24.64
84	25.40	35.90	45.50	25.40	35.90	28.80	28.80	33.02		29.72

NOTE:

ORDERING DATA: 69802 - X XX XX

LF: LEAD FREE
 PT: PURE TIN PLATED.
 BLANK: TIN/LEAD PLATED.
 NO OF CONTACTS
 SEE TABLE II

www.fciconnect.com		TOLERANCES UNLESS OTHERWISE SPECIFIED		tolerance std		projection		MM	
Dr	Jason Hsu	1/11/11	ANGULAR	0X	± 0.25	size	A4	Scale	N/A
Eng	Jason Hsu	1/11/11	LINEAR	0XX	± 0.15				
Chr	Gary Hsieh	1/11/11		0XXX	± 0.10		ECN	TII-0002	
Appr	Joseph Hsia	1/11/11	Product family		Spec ref				
title		PLCC SMT Socket		catag no		-		CUSTOMER	
Rev.		AF		sheet 2 of 5					

D

C

B

A

D

C

B

A

1 2 3 4

1 2 3 4



B

A

NOTES:

1. MATERIAL:
1-1 HOUSING : PPS GB8411JL94V-0 COLOR IN BROWN.
PLATING : 150u" TIN/LEAD OR PURE TIN MIN. OVER 40u" NICKEL MIN.
CONTACT : PHOSPHOR BRONZE C5212RH.
2. THE "FCI" LOGO IS LOCATED AS SHOWN.
3. RECOMMEND PCB LAYOUT IS SHOWN IN FIG.1.
4. COPLANARITY REQUIREMENT:
A. CONTACT MUST BE BELOW HOUSING BOTTOM SURFACE WITHIN 0.23MM.
B. CONTACT SEATING LINE MUST BE WITHIN 0.102MM.
5. THE POSITION OF PIN#1 IN THE CENTER PAD IS AS SHOWN.
6. THE PACKAGING INFORMATION SHOWS ON SHEET 4 & 5.
7. PRODUCT SPECIFICATION; GES-12-158.
8. MANUFACTURING PROCESS COMPATIBILITY: THE HOUSING WILL WITHSTAND EXPOSURE TO 245°C PEAK TEMPERATURE FOR 5 SECOND IN A IR REFLOW APPLICATION.

www.fciconnect.com		TOLERANCES UNLESS OTHERWISE SPECIFIED		projection		MM	
surface	-	ANGULAR	±0.25	size	A4	Scale	N/A
LINEAR	0X	±0.10	±0.10	ECN	TII-0002	Product family	
±5°	1/11/11	Joseph Hsieh	1/11/11	Chr	Gary Hsieh	1/11/11	Appr
Joseph Hsia	1/11/11	Product family		Spec ref		Title	
PLCC SMT Socket		69802		Rev.		AF	
catalog no		CUSTOMER		sheet 3 of 5			

D

C

B

A

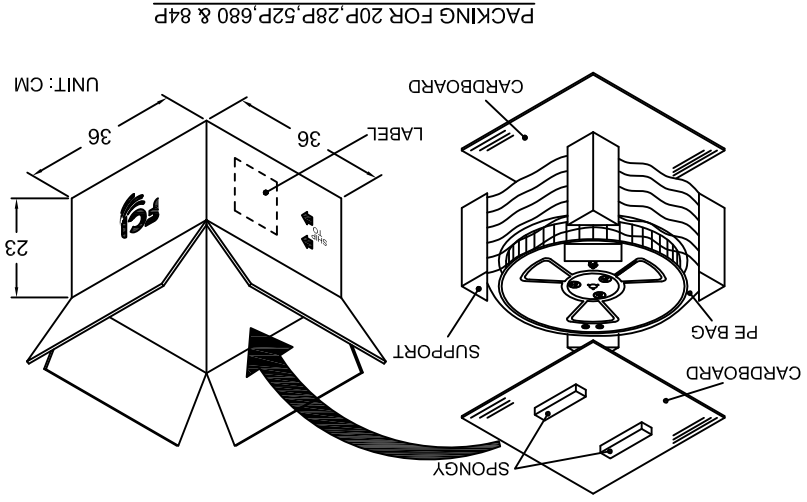
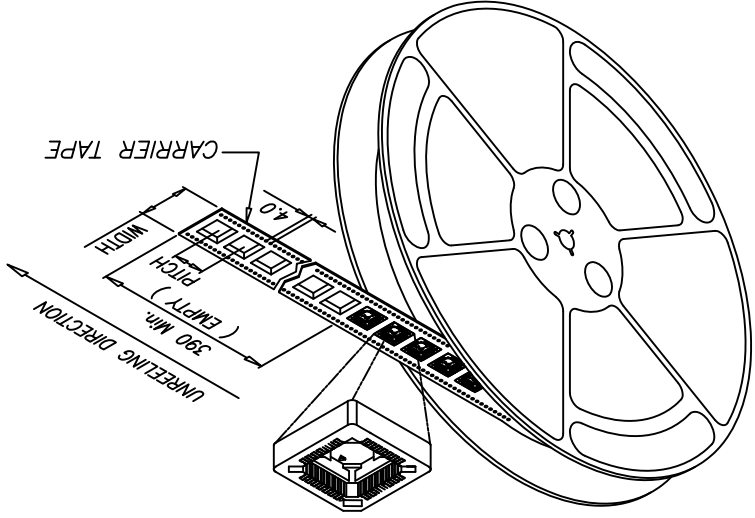
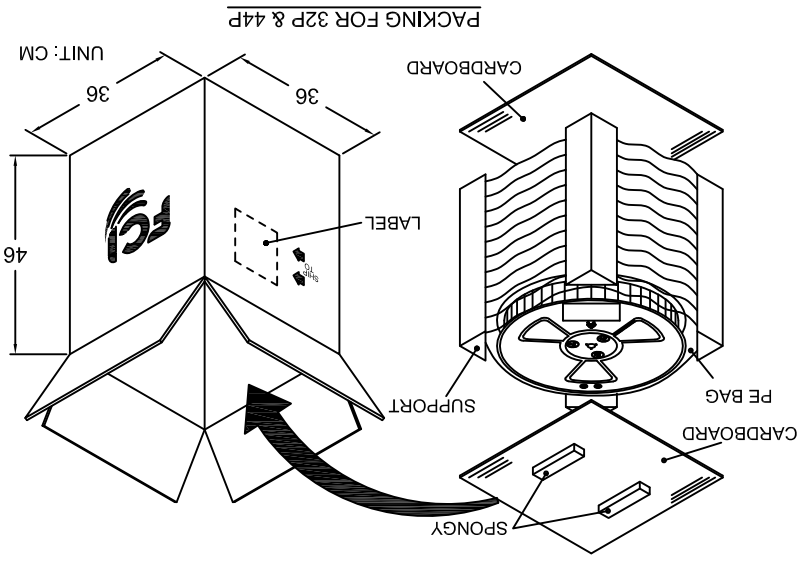


TABLE III

NO. OF PIN.	WIDTH	PITCH	PCS/REEL	REEL/CARTON	TOTAL (PCS)
20P	24.0	24.00	470	6	2820
28P	32.0	24.00	390	5	1950
32P	32.0	24.00	390	10	3900
44P	44.0	32.00	250	8	2000
52P	44.0	32.00	250	4	1000
68P	44.0	36.00	220	4	880
84P	56.0	40.00	200	3	600

*REEL DIAMETER: Ø 13 in"

		title PLCC SMT Socket		catalog no -	
Appr Joseph Hsia 1/11/11		Product family		CUSTOMER	
Chr Gary Hsieh 1/11/11		ECN T11-0002		sheet 4 of 5	
Dr Jason Hsu 1/11/11		ANGULAR L INEAR		Rev. AF 69802	
size A4		scale N/A		Spec ref	
tolerance std www.fciconnect.com		tolerance unless otherwise specified		projection	
surface		tolerance		MM	

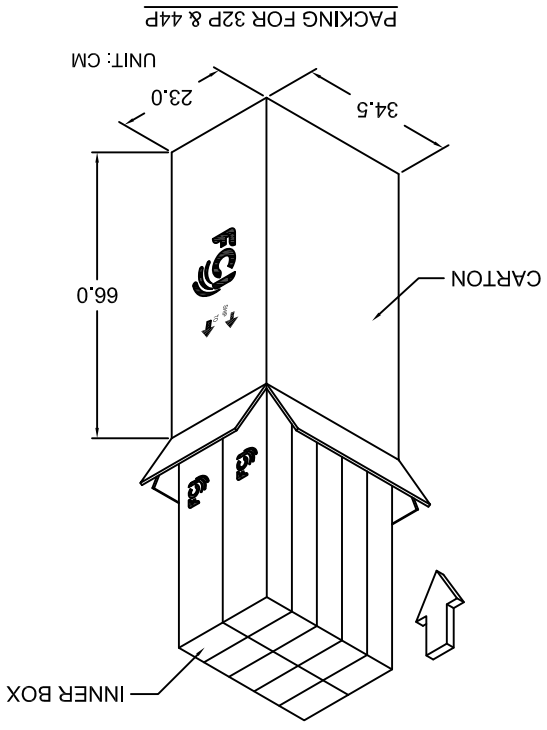
Copyright FCI





Copyright FCI.

REV. F - 098-04-01



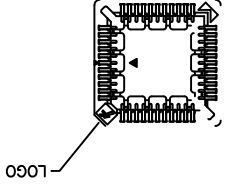
A / P PART NO.	DESCRIPTION	PCS / TUBE	PCS / INNER BOX	INNER BOX / CARTON (WITH SOCKET)	INNER BOX / CARTON (W / O SOCKET)	TOTAL (PCS)	N.W.	G.W.
69802-X20X	20P	37	1110	3	2	3330	3.2 KG	6.5 KG
69802-X28X	28P	32	832	4	1	3328	4.2 KG	8.0 KG
69802-X32X	32P	28	728	10	0	7280	10.0 KG	18.0 KG
69802-X44X	44P	25	500	10	0	5000	8.5 KG	17.0 KG
69802-X52X	52P	23	460	4	1	1840	3.2 KG	7.0 KG
69802-X68X	68P	18	270	5	0	1350	3.75 KG	8.3 KG
69802-X84X	84P	16	224	5	0	1120	3.5 KG	8.0 KG

TABLE IV

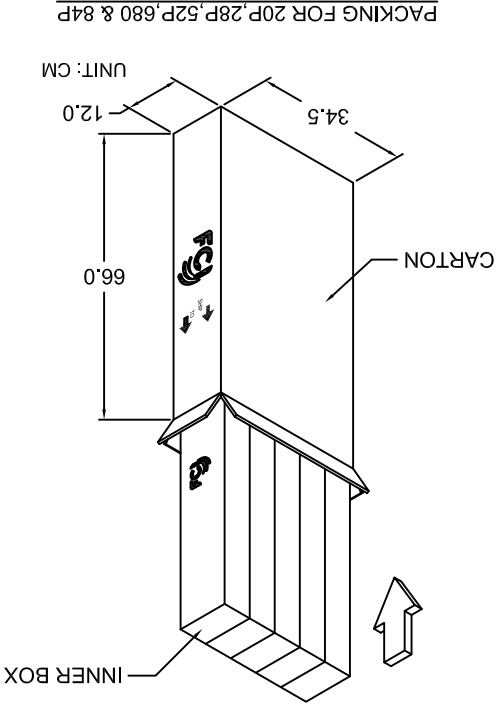
PACKAGING DIRECTION FOR PVC TUBE



TAPE



LOGO



www.fciconnect.com		TOLERANCES UNLESS OTHERWISE SPECIFIED		projection		MM		
surface	-	tolerance std						
ANGULAR	±0.25	size	A4	Scale	N/A	Dr	Jason Hsu 1/11/11	
LINEAR	0.X					Eng	Jason Hsu 1/11/11	
	±0.15					Chr	Gary Hsieh 1/11/11	
	±0.10					Appr	Joseph Hsia 1/11/11	
Product family	PLCC SMT Socket						title	PLCC SMT Socket
Spec ref	ECN T11-0002						Rev.	AF
	CUSTOMER						Rev.	AF
catalog no	-						Rev.	AF

4

3

2

1

D

C

B

A

4

3

2

1

STATUS: Released

PDM: Rev: AF

Printed: Jan 29, 2011

X-ON Electronics

Largest Supplier of Electrical and Electronic Components

Click to view similar products for [IC & Component Sockets](#) category:

Click to view products by [Amphenol](#) manufacturer:

Other Similar products are found below :

[714-43-102-31-012000](#) [0066-3-17-15-30-14-02-0](#) [0134-0-15-15-32-27-04-0](#) [614-DG5](#) [6527-0-00-15-00-00-03-0](#) [670](#) [672](#) [673](#) [712-93-120-41-001000](#) [714-93-104-31-018000](#) [8059-4G1-LF](#) [807-22-001-10-001101](#) [807-22-001-10-003101](#) [807-22-001-10-004101](#) [807-22-001-10-006101](#) [807-22-001-30-011101](#) [807-22-001-30-012101](#) [807-22-001-30-013101](#) [807-22-001-30-014101](#) [8-1437531-4](#) [8150-6P10](#) [833-93-034-10-001000](#) [835-43-014-10-001000](#) [851-41-006-10-001000](#) [851-43-008-20-001000](#) [851-43-014-20-001000](#) [851-93-006-20-001000](#) [851-93-010-20-001000](#) [853-43-020-10-001000](#) [86.010.0053.0](#) [116-43-306-41-003000](#) [116-43-308-41-007000](#) [116-87-308-41-007101](#) [PX-68LCC](#) [PX-84LCC](#) [121-13-318-41-001000](#) [121-13-320-41-001000](#) [121-13-308-41-001000](#) [123-43-314-41-801000](#) [123-43-420-41-001000](#) [123-43-636-41-001000](#) [123-87-320-41-001101](#) [122-13-316-41-001000](#) [123-13-624-41-001000](#) [123-43-306-41-001000](#) [123-43-322-41-801000](#) [123-43-428-41-001000](#) [123-43-624-41-001000](#) [12-3513-11](#) [123-91-320-41-001000](#)