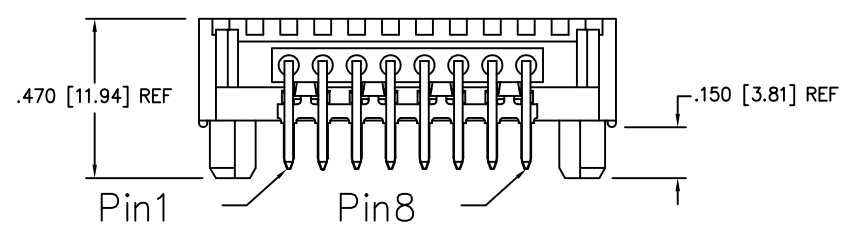
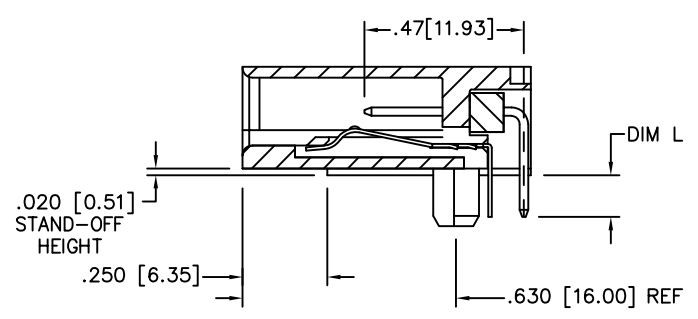
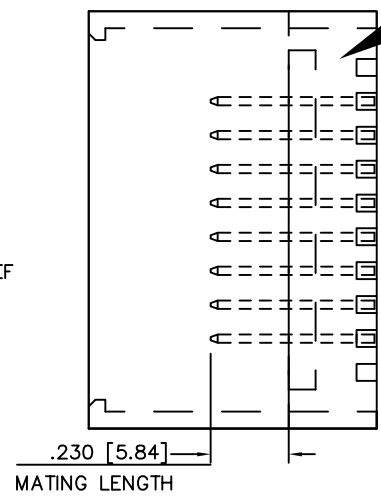
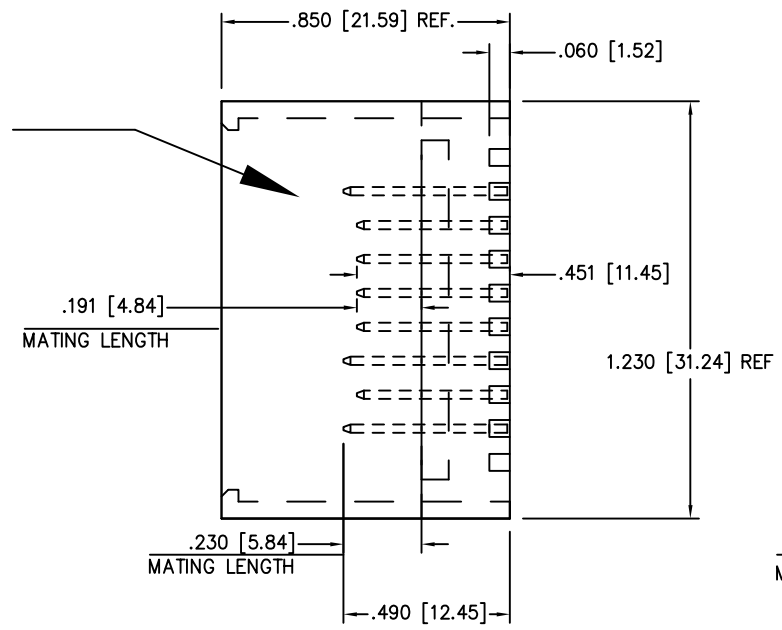


PRODUCT NUMBER  
SEE TABLE

ONLY FOR LONG  
AND SHORT PIN

FOR NO LONG  
AND SHORT PIN



mat'l. code NOTES 2 & 3		surface ISO 1302		tolerance ISO 406 ISO 1101		projection INCH/MM		product family LATCH-N-LOK			
ltr	ecn no	dr	date	tolerances unless otherwise specified				title			
J	ELX-N-008447	ZK	11/29/11	angles	linear	.000401/.0004.3		1X8 LNL RIGHT ANGLE HEADER ASSEMBLY			
K	ELX-N-23471	MZ	03/15/16	0°±2°		.0004±0.002/.0004±0.001		scale 1:1			
sheet index		revision K K		dr J. LINN 7/17/90		engr D. HORCHLER 7/17/90		chr D. HORCHLER 7/17/90		appd D. HORCHLER 7/17/90	
sheet 1		revision 1 2		J. LINN 7/17/90		D. HORCHLER 7/17/90		D. HORCHLER 7/17/90		D. HORCHLER 7/17/90	
dwg no		sheet 1 of 2		size		Amphenol FCI		69913		A3	
type		Product		Customer		Drawing					

© 2016 AFCI Amphenol FCI

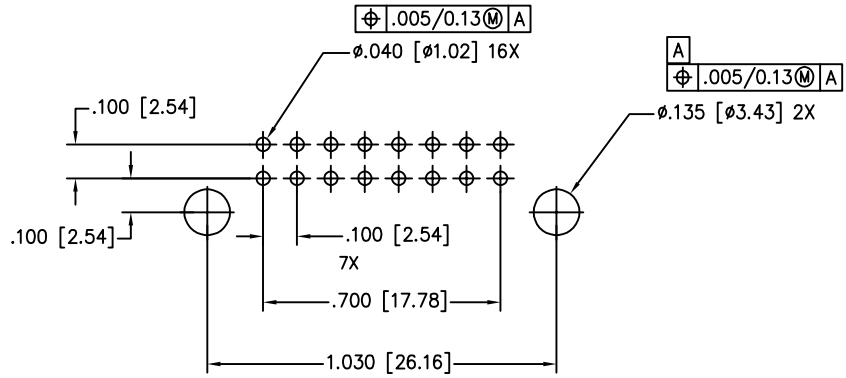
69913-XXXLF — X X X LF

LEAD FREE OPTION (6) (7)

COLOR (4)		
0	701 BLACK	
1	70343 LT GRAY	OBS
2	80166 OFF WHITE	
3	70634 DK GRAY	OBS
4	701 BLACK	
5	70511 SLATE GRAY	OBS
7	70455 SILVER GRAY	
8	80189 PEARL WHITE	OBS
9	70419 PEBBLE GRAY	

	PLATING (3)	Long & Short Pin
0	30u" MIN OVER 50u"MIN Ni	NO
1	30u" MIN OVER 50u"MIN Ni	YES
3	30u" MIN OVER 50u"MIN Ni	NO
5	50u" MIN OVER 50u"MIN Ni	NO

PIN LENGTH	
	DIM L
0	1.50/3.18
1	.110/2.79



RECOMMENDED PCB LAYOUT

NOTES:

- MAT'L: HIGH TEMPERATURE THERMOPLASTIC, UL-94V-0 RATED.
- GROUND CONTACT.  
MAT'L: COPPER ALLOY.  
PLATING: 100-160u"/2.54-4.06u TIN.
- SIGNAL CONTACT  
MAT'L: COPPER ALLOY.  
PLATING: PERFORMANCE PLATING WILL BE EITHER GOLD OR GXT ON CONTACT AREA OR TAIL, OPTIONALLY (78-295u") TIN ON TAIL.
- NUMBERS SHOWN ARE FOR G.E. LEXAN AND ARE FOR REFERENCE ONLY.
- THIS ASSEMBLY U.L. APPROVED PER FILE E66906 VOL. 1, SEC. 84 AND CSA APPROVED PER MASTER FILE LR46923.
- ADD LF SUFFIX AT THE END OF PART NUMBER FOR LEAD FREE OPTION.
- THE HOUSING WILL WITHSTAND EXPOSURE TO 260°C PEAK TEMPERATURE FOR 15 SECONDS IN A WAVE SOLDER APPLICATION WITH A 1.5mm. MINIMUM THICK CIRCUIT BOARD. SEE APPLICATION NOTES/PROCEDURES IF THEY ARE AVAILABLE.
- THIS PRODUCT MEETS EUROPEAN UNION DIRECTIVES AND OTHER COUNTRY REGULATION AS DESCRIBED IN GS-22-008.
- PRODUCT SPEC: GS-12-003.

mat'l. code NOTES 2 & 3		surface ISO 1302 ✓		tolerance ISO 406 ISO 1101		projection INCH/MM		product family LATCH-N-LOK	
ltr	ecn no	dr	date	tolerances unless otherwise specified		INCH/MM		title 1X8 LNL RIGHT ANGLE HEADER ASSEMBLY	
K				angles	linear	scale 1:1		dwg no 69913	
				0°±2°				sheet 2 of 2 size A3	
				dr	J. LINN	7/17/90		Amphenol FCI	
				enr	D. HORCHLER	7/17/90		type Product Customer Drawing	
				chr	D. HORCHLER	7/17/90			
				appd	D. HORCHLER	7/17/90			
sheet index	revision sheet								

## X-ON Electronics

Largest Supplier of Electrical and Electronic Components

*Click to view similar products for [I/O Connectors](#) category:*

*Click to view products by [Amphenol](#) manufacturer:*

Other Similar products are found below :

[571763P](#) [59811-0000](#) [61-168618-12P](#) [D20419-211](#) [D38999/20FJ24PA L/C](#) [76871-1403](#) [PCR-E36PM](#) [PCS-XE26LKA](#) [PCS-XES68MS+](#)  
[G38A71314B](#) [DX40-50P\(55\)](#) [1571250010](#) [157-22500-3](#) [MS3471L14-19P L/C](#) [192991-0703](#) [FCN-260C008-A/L0](#) [FCN-260C024-AL0](#) [FCN-](#)  
[261Z008](#) [2000314-1](#) [200331-1](#) [PCS-E28FS+](#) [PCS-XE26SLFD+](#) [PCS-XE26SLFDT+](#) [G730VID08BDC24](#) [HDR-E14MSG1+](#) [54182-0605](#)  
[UE86K842720321](#) [38113800006](#) [DP3AR020WQ1R200](#) [DRA-26PC-F0R](#) [Z4.102.0680.0](#) [500-1040](#) [500-1052](#) [DX40-20P\(55\)](#) [5554841-1](#)  
[SM3100F14S-12P](#) [U90B3054061110](#) [U65-E04-4020](#) [557-262M2-06C](#) [60-042222-02S](#) [10099439-003C-TRLF](#) [226-0348-000](#) [10137239-](#)  
[0011LF](#) [70.060.1028.0](#) [109029-ZZ](#) [HDR-E26MG1+](#) [SO-0715-02-01-02](#) [GT1-DA04CST](#) [231-303](#) [MS3112E16-8SX](#)