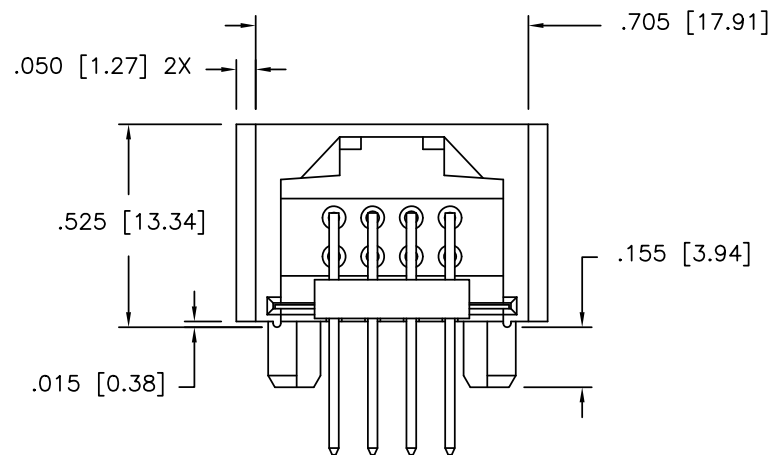
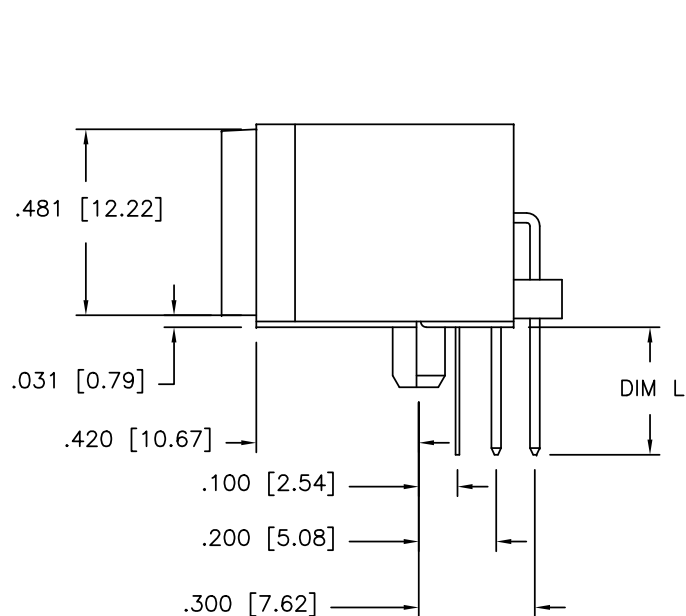
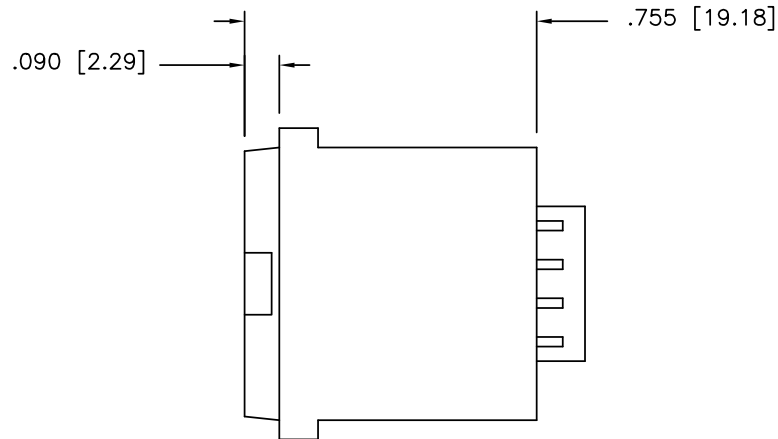


PRODUCT NUMBER  
SEE TABLE



mat'l. code		surface ISO 1302 ✓		tolerance ISO 406 ISO 1101		projection ASME Y14.5		product family LATCH-N-LOK	
ltr ecn nodr date		tolerances unless otherwise specified		title		INCH/MM		2X4 LNL LOW PROFILE HEADER ASSEMBLY	
M	M07-0521	AGS	12/10/07	angles	XXX±.01/0.XX±0.3	scale 2:1		dwg no 69958 sheet 1 of 2 size A3	
N	ELX-N-004176	KW	06/22/11	linea	XXX±.005/0.XX±0.13	FCI		type Product Customer Drawing	
P	ELX-N-008473	ZK	11/28/11	0°±2'	XXX±.0020/0.XXX±0.051				
		dr		M. CLOUSER 12/22/89					
		engr		D. HORCHLER 12/22/89					
		chr		D. HORCHLER 12/22/89					
		app		D. HORCHLER 12/22/89					
sheet revision		P P							
index sheet		1 2							

69958-XXXXLF

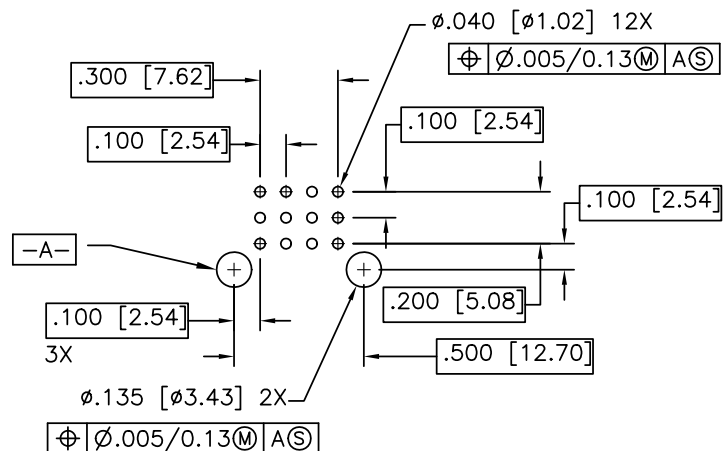
LEAD FREE OPTION (6)(8)

HIGH TEMPERATURE (7)

COLOR (4)	
1	70343-LT GRAY OBS
2	80166 OFF WHITE
3	70634-DK GRAY OBS
4	701 BLACK
5	70511-SLATE GRAY OBS
7	70455 SILVER GRAY
8	80189 PEARL WHITE OBS
9	70419 PEBBLE GRAY

PLATING (3)	
0	30u" MIN OVER 50u"MIN Ni
3	30u" MIN OVER 50u"MIN Ni
5	50u" MIN OVER 50u"MIN Ni

PIN LENGTH	
DIM L	
0	.200/5.08
1	.130/3.30



RECOMMENDED PCB LAYOUT

NOTES:

- HEADER SHROUD  
MAT'L: HIGH TEMPERATURE THERMOPLASTIC, UL-94V-0 RATED
- GROUND CONTACT  
MAT'L: COPPER ALLOY  
PLATING: 100-160u"/2.54-4.06u TIN.
- SIGNAL CONTACT  
MAT'L: COPPER ALLOY  
PLATING OPTIONALLY: PERFORMANCE PLATING WILL BE EITHER GOLD OR GXT ON CONTACT AREA OR TAIL, OPTIONALLY (78---295u") TIN ON TAIL.
- NUMBERS SHOWN ARE FOR G.E. LEXAN AND ARE FOR REFERENCE ONLY.
- THIS ASSEMBLY UL APPROVED PER FILE E66906 VOL. 1, SEC. 84 AND CSA APPROVED PER MASTER FILE LR46923
- ADD LF SUFFIX AT THE END OF PART NUMBER FOR LEAD FREE OPTION.
- FOR 69958-XXXXHLF THE HOUSING WILL WITHSTAND EXPOSURE TO 260°C PEAK TEMPERATURE FOR 69958-XXXXMLF CAN WITHSTAND EXPOSURE TO 270°C PEAK TEMPERATURE FOR 15 SECONDS IN A WAVE SOLDER APPLICATION WITH A 1.5mm MINIMUM THICK CIRCUIT BOARD. SEE APPLICATION NOTES/PROCEDURES IF THEY ARE AVAILABLE.
- THIS PRODUCT MEETS EUROPEAN UNION DIRECTIVES AND OTHER COUNTRY REGULATION AS DESCRIBED IN GS-22-008.
- PRODUCT SPEC: GS-12-003

mat'l. code		surface ISO 1302 ✓	tolerance ISO 406 ISO 1101	projection INCH/MM	product family LATCH-N-LOK
ltr	ecn	nldr	date	title	
P				2X4 LNL LOW PROFILE HEADER ASSEMBLY	
tolerances unless otherwise specified				scale 1:1	dwg no
angles	line	.XX±.01/.3 XXX±.005/.13 XXXX±.0020/.051		sheet 2 of 2	size
0°±2'				69958	A3
dr	M. CLOUSER	12/22/89		type Product Customer Drawing	
engr	D. HORCHLER	12/22/89			
chr	D. HORCHLER	12/22/89			
app	D. HORCHLER	12/22/89			
sheet index	revision sheet				



FCIconnect.com

Copyright FCI

## X-ON Electronics

Largest Supplier of Electrical and Electronic Components

*Click to view similar products for [I/O Connectors](#) category:*

*Click to view products by [Amphenol](#) manufacturer:*

Other Similar products are found below :

[571763P](#) [58098-0628](#) [61-168618-12P](#) [D38999/20FJ29SB L/C](#) [72.250.1628.2](#) [72.250.2428.2](#) [74720-0505](#) [747680210](#) [76.350.0729.0](#) [76871-1403](#) [FCN-244F080-G/1](#) [FCN-260A9920](#) [FCN-268D024-G/2F#10X-R10](#) [MP-5T180MUNNA-005](#) [MP-5XRJ45UNNB-003](#) [PCS-E50FA](#) [PCS-XE26LKA](#) [PCS-XE26MA+](#) [PCS-XES68MS+](#) [G38A71314B](#) [91-569719-35R](#) [9776-18-6](#) [DX40-50P\(55\)](#) [1571250010](#) [157-22500-3](#) [MS3471L14-19P L/C](#) [171224-6031](#) [1888020-8](#) [91-569786-35H](#) [91-569786-35M](#) [91-644626-35P](#) [172501-4002](#) [172501-6002](#) [FCN-260C008-A/L0](#) [FCN-260C024-AL0](#) [FCN-261Z008](#) [FCN-268D008-G/1K](#) [2000314-1](#) [200331-1](#) [2007498-2](#) [PCR-E28LMDAG1+](#) [PCR-E36FC+](#) [PCS-E28FS+](#) [PCS-XE26SLFD+](#) [PCS-XE26SLFDT+](#) [G38A71214B](#) [HDRA-E68W1LFDTC-SL+](#) [HDR-E14MSG1+](#) [R88A-CNK81S](#) [CRT1-ATT02](#)