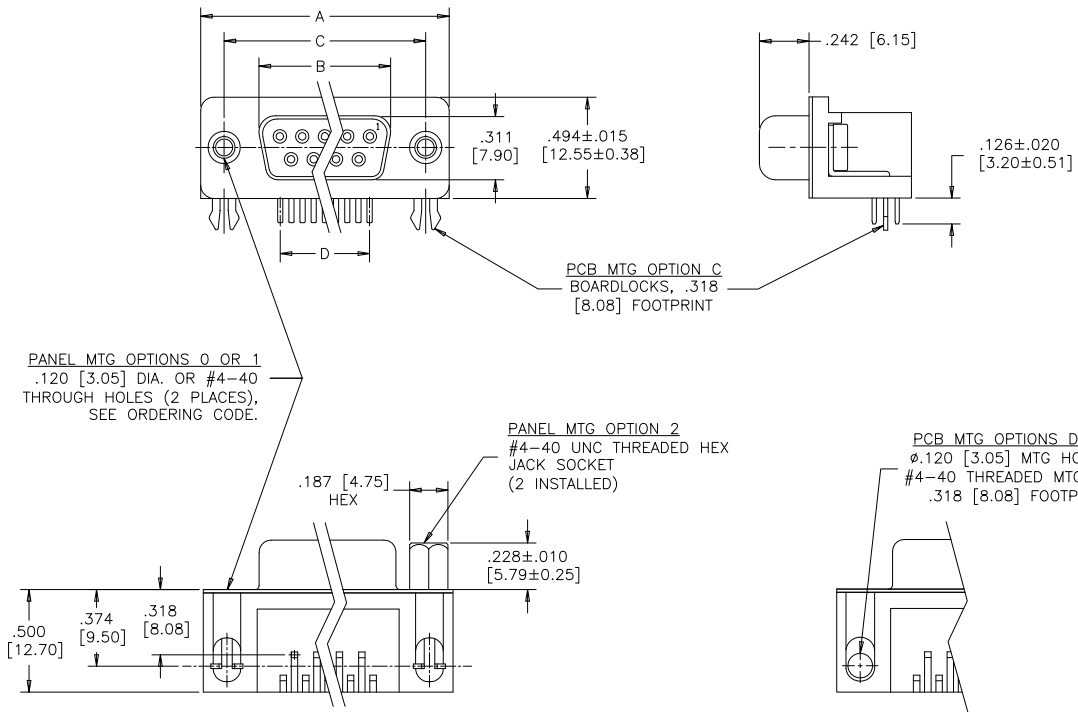


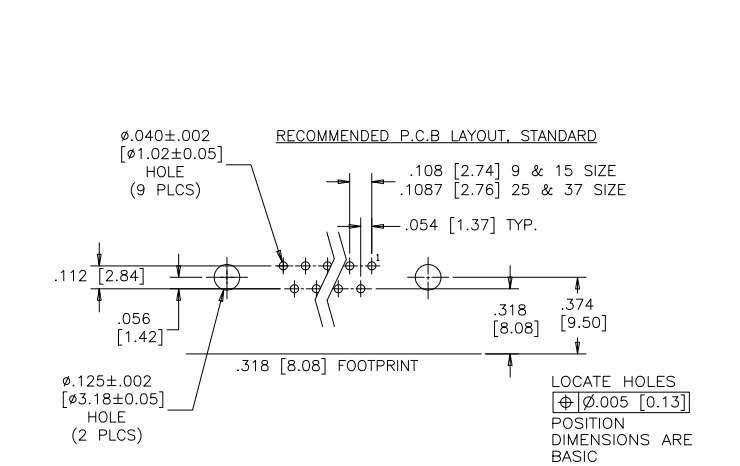
**.318 [8.08] FOOTPRINT**  
(STANDARD PCB LAYOUT)

REVISIONS			
REV	ECN, ERN NO.	DATE	APPRD.
C	PRODUCT DRAWING (EAR 14576)	JULY18/17	K.L.
D	PRODUCT DRAWING (EAR 14658)	MAY07/18	K.L.



**DIMENSIONS**

SIZE	A±.015 [0.38]	B±.005 [0.13]	C±.005 [0.13]	D BSC.
009	1.213 [30.81]	.643 [16.33]	.984 [24.99]	.432 [10.97]
015	1.541 [39.14]	.971 [24.66]	1.312 [33.32]	.756 [19.20]
025	2.088 [53.04]	1.511 [38.38]	1.852 [47.04]	1.304 [33.12]
037	2.729 [69.32]	2.159 [54.84]	2.500 [63.50]	1.956 [49.68]



**ORDERING CODE:**

**PART NUMBER:** 6 E 1 7 X - X X X S X X - X 2 0 X

**SERIES** —————

**PCB MTG OPTIONS**  
 C=BOARDLOCK OPTION, .318 [8.08] FOOTPRINT  
 D= $\phi 0.120$  [3.05] MTG HOLE, .318 [8.08] FOOTPRINT  
 J=#4-40 THREADED MTG HOLE, .318 [8.08] FOOTPRINT  
 U= $\phi 0.120$  [3.05] MTG HOLE, .590 [14.99] FOOTPRINT  
 Y=BOARDLOCK OPTION, .590 [14.99] FOOTPRINT

**NUMBER OF CONTACTS**  
 009, 015, 025, 037

**STYLE**  
 S=SOCKET

**PCB LAYOUT CODE**  
 NO DIGIT=STANDARD  
 .374 [9.50] DIM'N FOR .318 [8.08] F/P  
 .315 [8.00] DIM'N FOR .590 [14.99] F/P  
 E=.646 [16.41] DIM'N FOR .590 [14.99] F/P

**SHELL CHARACTERISTICS**  
 20=NICKEL PLATED RECEPTACLE SHELL

**PANEL MOUNTING OPTIONS**  
 0= $\phi 0.120$ " [3.05] THROUGH HOLE  
 1=#4-40 THREADED HOLE  
 2=MOUNTING OPTION 1 WITH #4-40 UNC HEX JACK SOCKETS INSTALLED

**CONTACT PLATING OPTIONS**  
 BF=ENGAGEMENT AREA  $3\mu$ " [0.08 MICRONS] GOLD FLASH  
 CF=ENGAGEMENT AREA  $15\mu$ " [0.38 MICRONS] GOLD  
 AJ=ENGAGEMENT AREA  $30\mu$ " [0.76 MICRONS] GOLD

SEE SHEET 2 FOR NOTES & SPECIFICATIONS

DRAWN	A.CHENG	DATE	APR13/06
DESIGNED			
CHECKED	K.LAMBIE	DATE	APR13/06
I. E. APPRD.			
Q. A. APPRD.			
DWG. APPRD.			
ENG. REL. NO.			
REF.	EAR 12937		
DIMENSIONS ARE IN	INCHES	CODE ID. NO.	03554

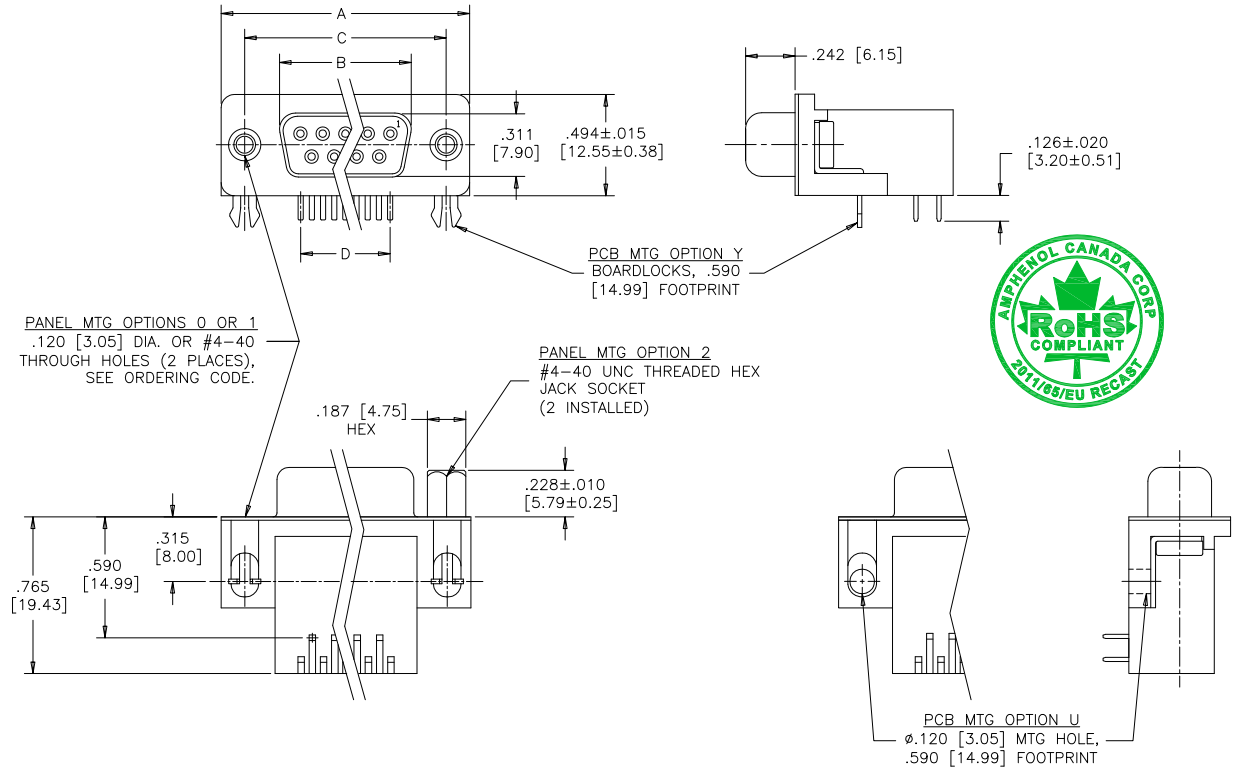
**Amphenol Canada Corp.**

TITLE  
 6E17 SERIES D-SUB CONNECTOR, 9 TO 37 SIZE SOCKET, RIGHT ANGLE WITH F/P, MTG AND PLATING OPTIONS, RoHS COMPLIANT

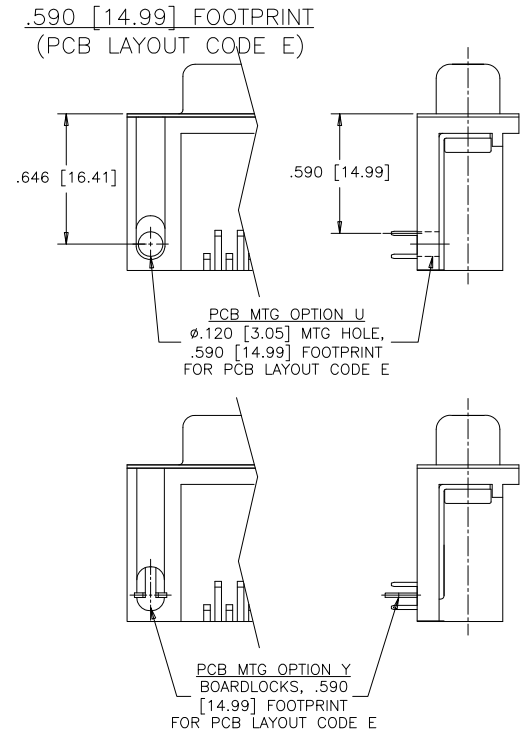
DWG	DRAWING NO.	REV.
C	P-6E17X-XXXSXX-X20X	D
SCALE	2/1	SHEET 1 OF 2

THIS DOCUMENT CONTAINS PROPRIETARY INFORMATION AND SUCH INFORMATION MAY NOT BE DISCLOSED TO OTHERS FOR ANY PURPOSE OR USED FOR MANUFACTURING PURPOSES WITHOUT WRITTEN PERMISSION FROM AMPHENOL CANADA CORP.

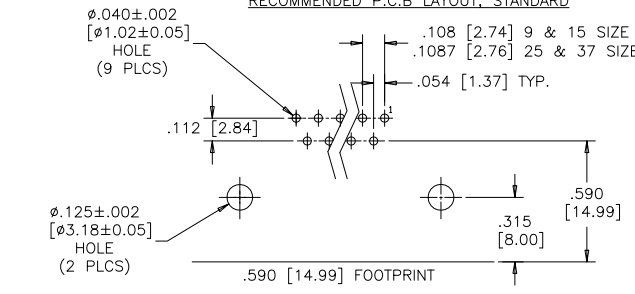
**.590 [14.99] FOOTPRINT**  
(STANDARD PCB LAYOUT)



REVISIONS			
REV	ECN, ERN NO.	DATE	APPRD.
C	PRODUCT DRAWING (EAR 14576)	JULY18/17	K.L.
D	PRODUCT DRAWING (EAR 14658)	MAY07/18	K.L.



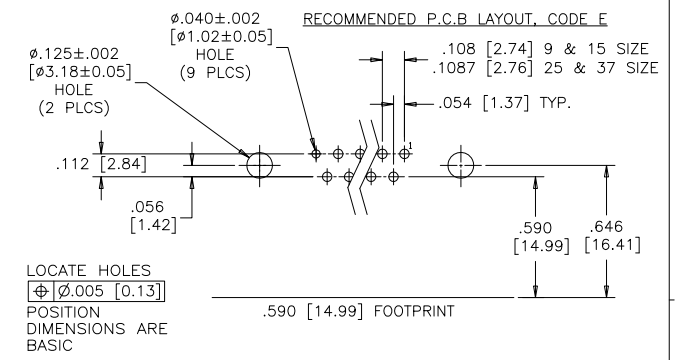
**RECOMMENDED P.C.B LAYOUT, STANDARD**



**DIMENSIONS**

SIZE	A±.015 [0.38]	B±.005 [0.13]	C±.005 [0.13]	D BSC.
009	1.213 [30.81]	.643 [16.33]	.984 [24.99]	.432 [10.97]
015	1.541 [39.14]	.971 [24.66]	1.312 [33.32]	.756 [19.20]
025	2.088 [53.04]	1.511 [38.38]	1.852 [47.04]	1.304 [33.12]
037	2.729 [69.32]	2.159 [54.84]	2.500 [63.50]	1.956 [49.68]

**RECOMMENDED P.C.B LAYOUT, CODE E**



**SPECIFICATIONS:**

**MATERIALS:** ALL MATERIALS ARE RoHS COMPLIANT

**SHELL:** STEEL, NICKEL PLATED

**INSERTS:** HIGH TEMPERATURE RESISTANT NYLON, GLASS REINFORCED, UL FLAMMABILITY RATING 94V-0, COLOUR: BLACK

**CONTACTS:** COPPER ALLOY, GOLD PLATING (SEE ORDERING CODE) OVER 50u" [1.27 MICRONS] NICKEL ON ENGAGEMENT AREA WITH 100u" [2.54 MICRONS] MIN. MATTE TIN ON CONTACT TERMINALS.

**BOARDLOCK:** COPPER ALLOY, TIN PLATED

**ELECTRICAL DATA:**

**CURRENT RATING:** 5 AMP

**CONTACT RESISTANCE:** 15 MILLIOHMS MAX.

**INSULATION RESISTANCE:** 3000 MEGOHMS MIN.

**DIELECTRIC WITHSTANDING VOLTAGE:** 1000 VAC rms

**OPERATING TEMPERATURE:** -55°C TO +105°C

SEE SHEET 1 FOR ORDERING CODE

DRAWN	A.CHENG	DATE	APR13/06
DESIGNED			
CHECKED	K.LAMBIE	DATE	APR13/06
I. E. APPRD.			
Q. A. APPRD.			
DWG. APPRD.			
ENG. REL. NO.			
REF.	EAR 12937		
DIMENSIONS ARE IN	INCHES	CODE ID. NO.	03554

<b>Amphenol Canada Corp.</b>		TITLE	6E17 SERIES D-SUB CONNECTOR, 9 TO 37 SIZE SOCKET, RIGHT ANGLE WITH F/P, MTG AND PLATING OPTIONS, RoHS COMPLIANT
		DWG	
C	P-6E17X-XXXSXX-X20X	D	
SCALE	2/1	WT.	
SURF.		SHEET	2 OF 2

## X-ON Electronics

Largest Supplier of Electrical and Electronic Components

*Click to view similar products for [D-Sub Standard Connectors](#) category:*

*Click to view products by [Amphenol](#) manufacturer:*

Other Similar products are found below :

[56F706-005-LI](#) [56F711-015](#) [012-9507-004](#) [LV242999-142T12](#) [015-0341-000](#) [015-0372-005](#) [015-0372-008](#) [015-8755-001](#) [020419-0104](#)  
[012-0467-000](#) [012-9507-034](#) [012-9507-114](#) [020745-0008](#) [609-25P](#) [CT2-18-11PCAU](#) [CT6-10SL-3SC](#) [CT6-10SL-4SC](#) [CT6-14S-2SC](#)  
[CT6E14SA7SC](#) [CT6N10SL-4SSA34](#) [M83513/01-FC](#) [M83723/76W24619 L/C](#) [M85049/48-3-2F](#) [6STD09PCM99B70X](#) [6STD09SCM99B30X](#)  
[6STD09SCT99S40X](#) [6STD15PCT99S40X](#) [6STD15SCT99S40X](#) [6STF09PCM05B70X](#) [7-135760-9](#) [MC11E-10-6SN](#) [747552-3](#) [MD1-21PS](#)  
[MDM-15SCBRM7-F222](#) [MDM96517-699](#) [MDM96521-744](#) [MDVB1-21SL1](#) [MIK0-1-7SH003](#) [MIKQ6-7SH076](#) [MIKQ7-7PH077](#) [MIKQ7-](#)  
[7PH11](#) [MIKQ7-7PH32](#) [MJSV-28SL61](#) [MKJ4A1F14-55S](#) [8-135760-3](#) [8STD09PCM99B30X](#) [PG-KV/PV-16-GROM-SEALING](#) [GDA15P](#)  
[GDAY15PB](#) [980-0000-170](#)