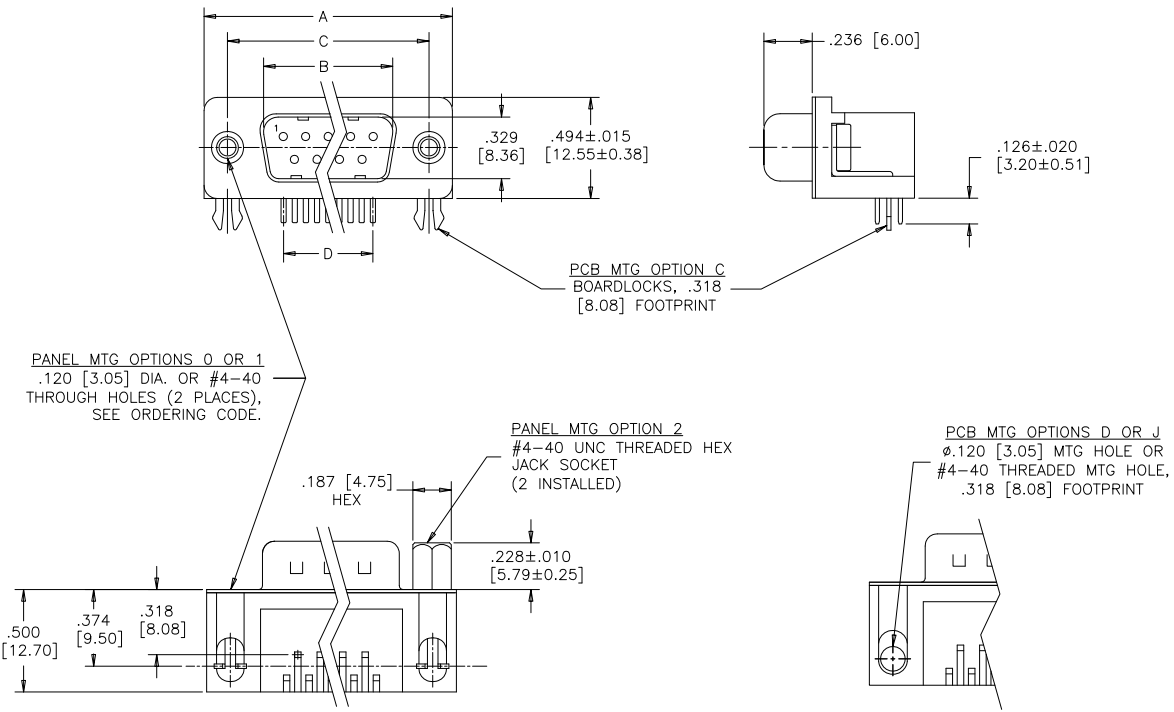


**.318 [8.08] FOOTPRINT**  
(STANDARD PCB LAYOUT)

REVISIONS			
REV	ECN, ERN NO.	DATE	APPRD.
B	PRODUCT DRAWING (EAR 14576)	JULY18/17	K.L.
C	PRODUCT DRAWING (EAR 14658)	MAY07/18	K.L.



**DIMENSIONS**

SIZE	A±.015 [0.38]	B±.005 [0.13]	C±.005 [0.13]	D BSC.
009	1.213 [30.81]	.666 [16.92]	.984 [24.99]	.432 [10.97]
015	1.541 [39.14]	.994 [25.25]	1.312 [33.32]	.756 [19.20]
025	2.088 [53.04]	1.534 [38.96]	1.852 [47.04]	1.304 [33.12]
037	2.729 [69.32]	2.182 [55.42]	2.500 [63.50]	1.956 [49.68]



**ORDERING CODE:**

**PART NUMBER:** 6 E 1 7 X - X X X P X X - X 2 1 X

**SERIES** —————

**PCB MTG OPTIONS** —————

C=BOARDLOCK OPTION, .318 [8.08] FOOTPRINT  
 D= $\phi .120$  [3.05] MTG HOLE, .318 [8.08] FOOTPRINT  
 J=#4-40 THREADED MTG HOLE, .318 [8.08] FOOTPRINT  
 U= $\phi .120$  [3.05] MTG HOLE, .590 [14.99] FOOTPRINT  
 Y=BOARDLOCK OPTION, .590 [14.99] FOOTPRINT

**NUMBER OF CONTACTS** —————  
 009, 015, 025, 037

**STYLE** —————  
 P=PIN

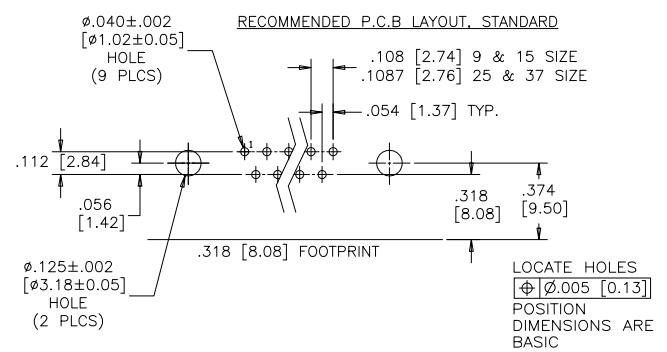
**PCB LAYOUT CODE**  
 NO DIGIT=STANDARD MOUNTING HOLE POSITION  
 .374 [9.50] DIM'N FOR .318 [8.08] F/P  
 .315 [8.00] DIM'N FOR .590 [14.99] F/P  
 E=.646 [16.41] DIM'N FOR .590 [14.99] F/P

**SHELL CHARACTERISTICS**  
 21=NICKEL PLATED PLUG SHELL WITH GROUNDING INDENTS

**PANEL MOUNTING OPTIONS**  
 0= $\phi .120$ " [3.05] THROUGH HOLE  
 1=#4-40 THREADED HOLE  
 2=MOUNTING OPTION 1 WITH #4-40 UNC HEX JACK SOCKETS INSTALLED

**CONTACT PLATING OPTIONS**  
 BF=ENGAGEMENT AREA 3 $\mu$ " [0.08 MICRONS] GOLD FLASH  
 CF=ENGAGEMENT AREA 15 $\mu$ " [0.38 MICRONS] GOLD  
 AJ=ENGAGEMENT AREA 30 $\mu$ " [0.76 MICRONS] GOLD

**RECOMMENDED P.C.B LAYOUT, STANDARD**

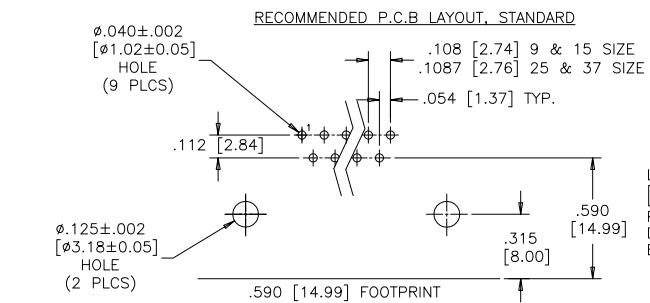
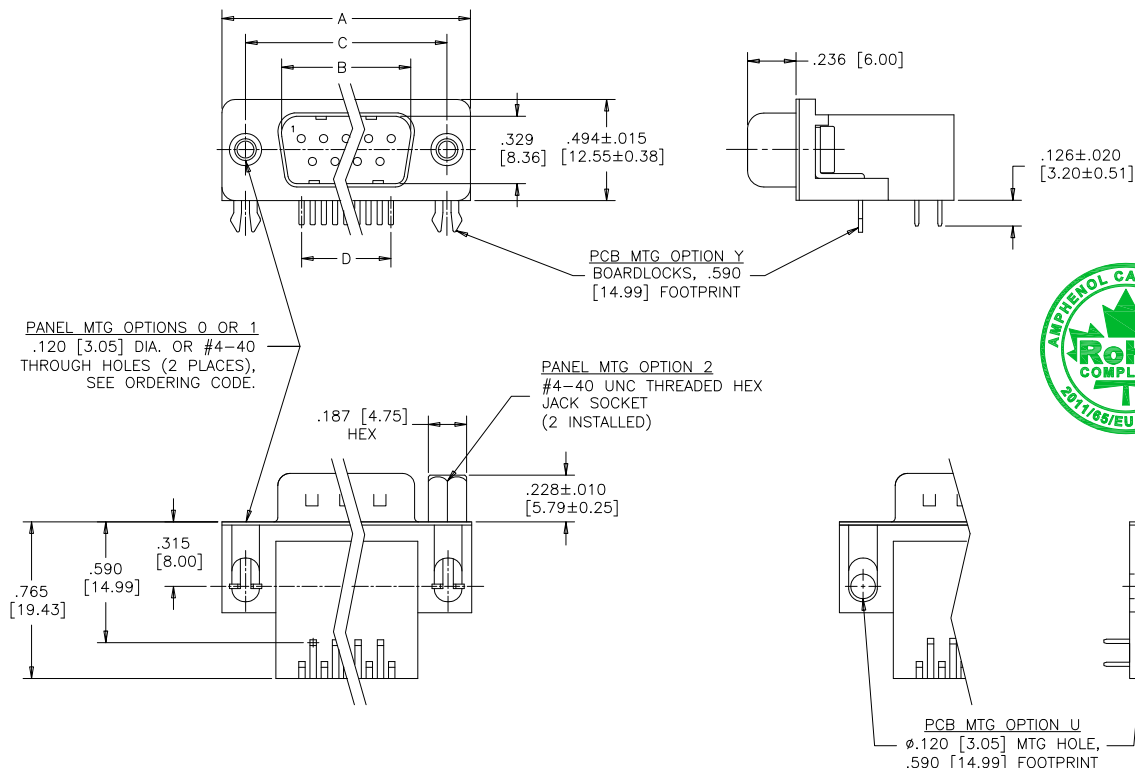


SEE SHEET 2 FOR NOTES & SPECIFICATIONS

DRAWN	A.CHENG	DATE	APR17/06	<b>Amphenol Canada Corp.</b>	
DESIGNED					
CHECKED	K.LAMBIE	APR17/06		TITLE 6E17 SERIES D-SUB CONNECTOR, 9 TO 37 SIZE PIN, RIGHT ANGLE WITH F/P, MTG AND PLATING OPTIONS, RoHS COMPLIANT	
I. E. APPRD.					
Q. A. APPRD.				DWG DRAWING NO. C P-6E17X-XXXPXX-X21X C	
DWG. APPRD.					
ENG. REL. NO.				DWG	REV.
REF.	EAR 12932			C	C
DIMENSIONS ARE IN		CODE ID. NO.		SCALE	WT.
INCHES		03554		2/1	
			SURF.	SHEET 1 OF 2	

THIS DOCUMENT CONTAINS PROPRIETARY INFORMATION AND SUCH INFORMATION MAY NOT BE DISCLOSED TO OTHERS FOR ANY PURPOSE OR USED FOR MANUFACTURING PURPOSES WITHOUT WRITTEN PERMISSION FROM AMPHENOL CANADA CORP.

**.590 [14.99] FOOTPRINT**  
(STANDARD PCB LAYOUT)



**LOCATE HOLES**  
⊕ [ø.005 [0.13]]  
POSITION DIMENSIONS ARE BASIC

**DIMENSIONS**

SIZE	A±.015 [0.38]	B±.005 [0.13]	C±.005 [0.13]	D BSC.
009	1.213 [30.81]	.666 [16.92]	.984 [24.99]	.432 [10.97]
015	1.541 [39.14]	.994 [25.25]	1.312 [33.32]	.756 [19.20]
025	2.088 [53.04]	1.534 [38.96]	1.852 [47.04]	1.304 [33.12]
037	2.729 [69.32]	2.182 [55.42]	2.500 [63.50]	1.956 [49.68]

**SPECIFICATIONS:**

**MATERIALS:** ALL MATERIALS ARE RoHS COMPLIANT

**SHELL:** STEEL, NICKEL PLATED

**INSERTS:** HIGH TEMPERATURE RESISTANT NYLON, GLASS REINFORCED, UL FLAMMABILITY RATING 94V-0, COLOUR: BLACK

**CONTACTS:** COPPER ALLOY, GOLD PLATING (SEE ORDERING CODE) OVER 50µ" [1.27 MICRONS] NICKEL ON ENGAGEMENT AREA WITH 100µ" [2.54 MICRONS] MIN. MATTE TIN ON CONTACT TERMINALS.

**BOARDLOCK:** COPPER ALLOY, TIN PLATED

**ELECTRICAL DATA:**

**CURRENT RATING:** 5 AMP

**CONTACT RESISTANCE:** 15 MILLIOHMS MAX.

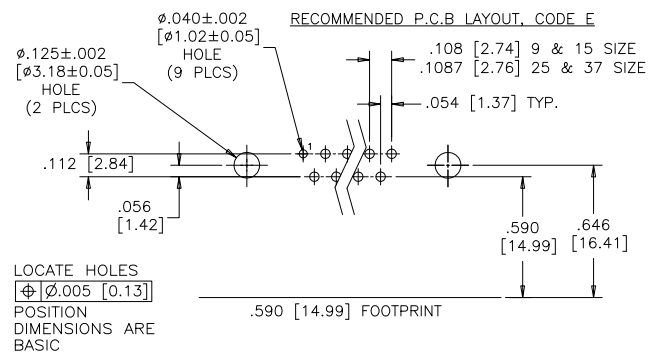
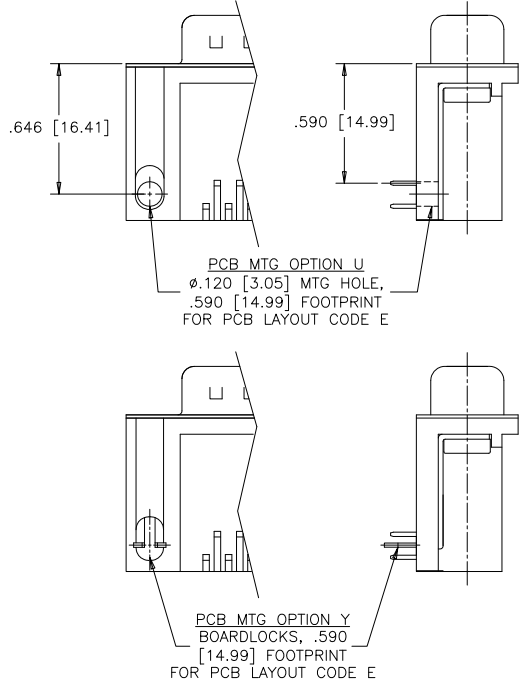
**INSULATION RESISTANCE:** 3000 MEGOHMS MIN.

**DIELECTRIC WITHSTANDING VOLTAGE:** 1000 VAC rms

**OPERATING TEMPERATURE:** -55°C TO +105°C

REVISIONS			
REV	ECN, ERN NO.	DATE	APPRD.
B	PRODUCT DRAWING (EAR 14576)	JULY18/17	K.L.
C	PRODUCT DRAWING (EAR 14658)	MAY07/18	K.L.

**.590 [14.99] FOOTPRINT**  
(PCB LAYOUT CODE E)



SEE SHEET 1 FOR ORDERING CODE

DRAWN	A.CHENG	DATE	APR17/06	<b>Amphenol Canada Corp.</b>
DESIGNED				
CHECKED	K.LAMBIE	APR17/06		TITLE
I. E. APPRD.				6E17 SERIES D-SUB CONNECTOR, 9 TO 37 SIZE PIN, RIGHT ANGLE WITH F/P, MTG AND PLATING OPTIONS, RoHS COMPLIANT
Q. A. APPRD.				
DWG. APPRD.				
ENG. REL. NO.		DWG	DRAWING NO.	REV.
REF.	EAR 12932	C	P-6E17X-XXXPXX-X21X	C
DIMENSIONS ARE IN INCHES		CODE ID. NO.	03554	SCALE
				2/1
		WT.		SURF.
				SHEET 2 OF 2

## X-ON Electronics

Largest Supplier of Electrical and Electronic Components

*Click to view similar products for [D-Sub Standard Connectors](#) category:*

*Click to view products by [Amphenol](#) manufacturer:*

Other Similar products are found below :

[56F706-005-LI](#) [56F711-015](#) [LV242999-142T12](#) [015-0341-000](#) [015-0372-005](#) [015-0372-008](#) [015-8755-001](#) [020419-0104](#) [012-0467-000](#)  
[012-9507-034](#) [012-9507-114](#) [020745-0008](#) [609-25P](#) [CT2-18-11PCAU](#) [CT6-10SL-3SC](#) [CT6-10SL-4SC](#) [CT6-14S-2SC](#) [CT6E14SA7SC](#)  
[CT6N10SL-4SSA34](#) [M83513/01-FC](#) [M83723/76W24619 L/C](#) [M85049/48-3-2F](#) [6STD09PCM99B70X](#) [6STD09SCM99B30X](#)  
[6STD09SCT99S40X](#) [6STD15PCT99S40X](#) [6STD15SCT99S40X](#) [6STF09PCM05B70X](#) [7-135760-9](#) [MC11E-10-6SN](#) [747552-3](#) [MD1-21PS](#)  
[MDM-15SCBRM7-F222](#) [MDM96517-699](#) [MDM96521-744](#) [MDVB1-21SL1](#) [MIK0-1-7SH003](#) [MIKQ6-7SH076](#) [MIKQ7-7PH077](#) [MIKQ7-](#)  
[7PH11](#) [MIKQ7-7PH32](#) [MJSV-28SL61](#) [MKJ4A1F14-55S](#) [8-135760-3](#) [8STD09PCM99B30X](#) [PG-KV/PV-16-GROM-SEALING](#) [GDA15P](#)  
[GDAY15PB](#) [980-0000-170](#) [980-0000-171](#)