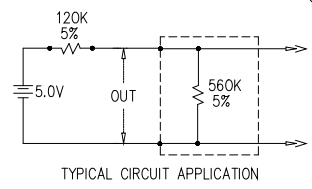
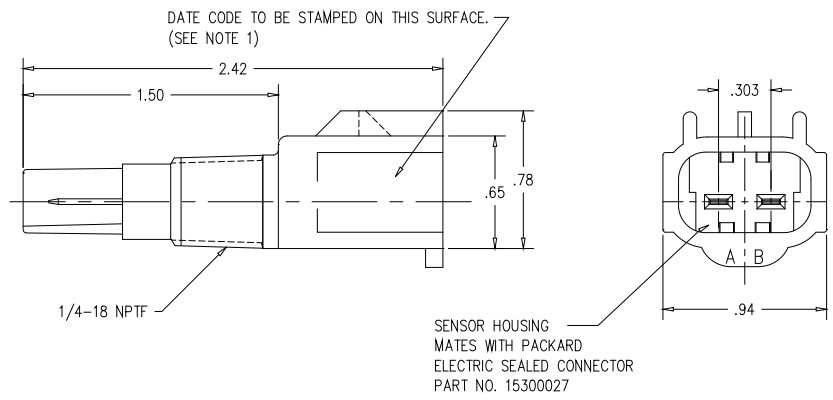
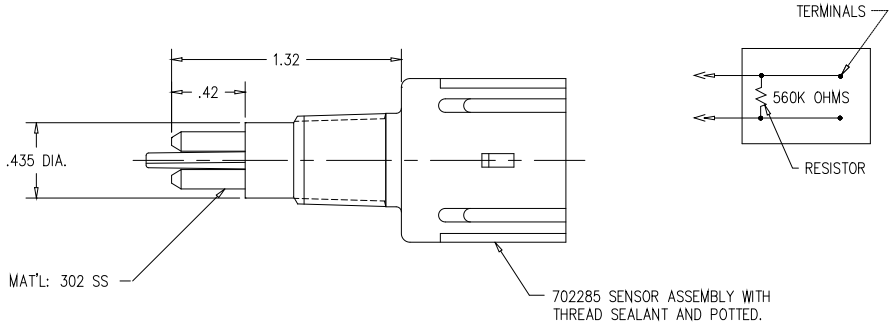
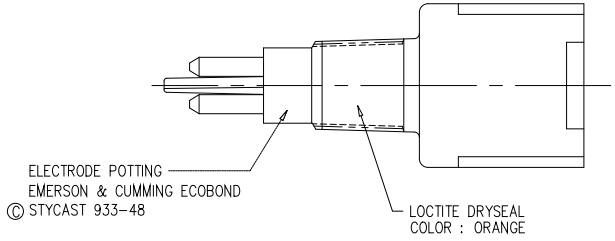


THIS DRAWING IS CONFIDENTIAL AND THE INFORMATION DISCLOSED HEREIN CONTAINS PROPRIETARY DATA OF CASCO PRODUCTS, NEITHER THIS DOCUMENT NOR THIS INFORMATION DISCLOSED HEREIN SHALL BE REPRODUCED OR TRANSFERRED TO OTHER DOCUMENTS OR TO BE USED FOR MANUFACTURING PURPOSES OR DISCLOSED TO OTHERS FOR ANY PURPOSE EXCEPT AS SPECIFICALLY AUTHORIZED IN WRITING BY CASCO PRODUCTS, A SUBSIDIARY OF SEQUA CORPORATION, BRIDGEPORT, CONNECTICUT.

REVISION BLOCK			
REV	DESCRIPTION OF CHANGE	BY	DATE
-	RELEASED TO PRODUCTION PER ECO AD-0815.	JG	5/15/02
A	702285 WAS 702227 PER ECO AD-0823	JG	10/15/02
B	DELETED MATERIAL IDENTIFICATION NO. "PBT-GP30" PER ECO AD-0831	JG	11/15/02
C	ELECTRODE POTTING EMERSON & CUMMING ECOBOND STYCAST 933-48 WAS ELECTRODE POTTING EMERSON & CUMMING ECOBOND A-316 EPOXY NOTE 3 FLUID TEMP RANGE WAS 40°C TO 90°C MAX OPERATING PRESSURE WAS 18 PSI PER ECO AD-0850	JG	9/19/03



4. TYPICAL ELECTRICAL PERFORMANCE WITH 30% TO 70% ETHYLENE GLYCOL/WATER MIXTURE
- OPEN HARNESS: 5.0V
  - OUT OF FLUID: 4.19V < 4.89V
  - IN FLUID: 2.52V < 3.50V
  - SHORTED HARNESS: < 0.5V
- © 3. FLUID TEMPERATURE RANGE: -40°C TO +110°C  
 AMBIENT TEMPERATURE RANGE: -40°C TO +125°C  
 MAXIMUM OPERATING PRESSURE: 18 PSI  
 MOUNTING ORIENTATION: VERTICAL  
 ASSEMBLY TORQUE: 3NM



2. GENERIC PART WITH SANDBLASTED ELECTRODS.
1. ASSEMBLY DATE CODED TO IDENTIFY YEAR, MONTH, DAY AND SHIFT OF MANUFACTURE PER FORD METHOD.  
 (EXAMPLE: FIRST SHIFT JULY 20, 1992 WOULD READ 920720A)

NOTES:

QTY.	WHERE USED		
DIMENSIONS IN [ ] ARE IN MILLIMETERS			
TOLERANCES UNLESS OTHERWISE SPECIFIED			
INCHES		METRIC	
.XXX = ±.005	XXX = ±0.13		
.XX = ±.010	XX = ±0.3		
ANGLES = ±0.5°			
DRAWN BY	NAME	DATE	THIRD ANGLE PROJECTION
CHECKED BY	L TOITH	5/20/02	
PROJECT ENG	L TOITH	5/20/02	
APPROVED BY	L TOITH	5/20/02	
SCALE: 2:1			
CASCO PRODUCTS CORP. A SUBSIDIARY OF SEQUA CORPORATION BRIDGEPORT, CONNECTICUT 06610			
NAME: SENS ASY-LOW COOL LVL WRNG			
DRAWING NO.	701670	REV.	C



## X-ON Electronics

Largest Supplier of Electrical and Electronic Components

*Click to view similar products for [Liquid Level Sensors](#) category:*

*Click to view products by [Amphenol](#) manufacturer:*

Other Similar products are found below :

[FSH-21](#) [FSH-25](#) [FSH-34](#) [FSH-35](#) [FSV-31](#) [FSV-35](#) [RSF54H100R1/8](#) [LRNH31S41](#) [F03-16SFC-10M](#) [F03-16PE-5M](#) [F03-16PT-5M](#) [LBFS](#)  
[1151](#) [SCN-1518SC](#) [LL103000](#) [LRNR31N01](#) [MS03-PP](#) [F03-16SF-10M](#) [KSL-100-1](#) [LS01-1A66-PP-2000W](#) [LS01-1B66-PP-500W](#) [LS02-](#)  
[1B66-S-500W](#) [LS02-1B85-PP-5000W](#) [LS03-1A85-PP-500W](#) [LS03/DL-1A85-PA-500W](#) [EL-10N](#) [EL-3N](#) [LRNH31S42](#) [59630-1-T-02-F](#)  
[LS04-1B66-2-500W](#) [LFFS 011](#) [PS-3S \(Q\)](#) [T0-SKF-0.5](#) [T0-SKF-10](#) [T0-SKF-5](#) [VNI3](#) [CLP2FA1BM24](#) [CLE2P](#) [VNI1](#) [LBFS 0111](#) [LFFS 014](#)  
[KSL-88-PP](#) [KSL-99-1](#) [LS02-1A85-PP-500W](#) [LS02-1B85-PP-500W](#) [LS03-1A85-PA-500W](#) [MIC 1000-20](#) [700670](#) [BAF147B002-00A0](#) [DFT-](#)  
[110](#) [DFT-220](#)