

DESCRIPTION: ABOVE PCB, DECK AND PUSH ROD LOCATION ARE AS VIEWED BY USER.

PRODUCT NO. 71240-XXXXX	PUSH-ROD LOCATION		STAND-OFF HEIGHT	(A) CLOSEST TO PCB	(B) FARTHEST FROM PCB	MATING RECEPTACLE C	MOUNTING STYLE TO PCB AND PUSH-ROD SIDE
	DECK CLOSEST TO PCB	DECK FARTHEST FROM PCB		EJ HDR. ASSY 71299-XXXXX	EJ HDR. ASSY 71299-XXXXX		
000CA	LEFT	RIGHT	0.0	100CA	005CA	100 POSITION (2X50) 0.8mm RECEPTACLES PART NO. 73277-101000	
020CA	LEFT	RIGHT	2.2	120CA	025CA		
040CA	LEFT	RIGHT	4.3	140CA	045CA		
050CA	LEFT	RIGHT	5.0	150CA	055CA		
100CA	RIGHT	LEFT	0.0	000CA	105CA		
120CA	RIGHT	LEFT	2.2	020CA	125CA		
140CA	RIGHT	LEFT	4.3	040CA	145CA		
150CA	RIGHT	LEFT	5.0	050CA	155CA		
200CA	RIGHT	RIGHT	0.0	000CA	005CA		
220CA	RIGHT	RIGHT	2.2	020CA	025CA		
240CA	RIGHT	RIGHT	4.3	040CA	045CA		
250CA	RIGHT	RIGHT	5.0	050CA	055CA		
300CA	LEFT	LEFT	0.0	100CA	105CA		
320CA	LEFT	LEFT	2.2	120CA	125CA		
340CA	LEFT	LEFT	4.3	140CA	145CA		
350CA	LEFT	LEFT	5.0	150CA	155CA		

NOTE:

1. SEE 71299 FOR SINGLE DECK APPLICATIONS.

ORDERING INFORMATION

ORDER:

- 1 (A) DECK CLOSEST TO PCB
- 2 (B) DECK FARTHEST FROM PCB
- 3 (C) 2 EACH MATING RECEPTACLES

mat'l. code		surface		tolerance		projection		product family	
		ISO 1302		ISO 406 ISO 1101					
ltr ecn no dr date		tolerances unless otherwise specified		title					
H	N08-0060	M Z	04/09'08	angles		linear .XX±.13		CARDBUS EJECT ASS'Y	
J	ELX-N-011400	ZK	04/14/12	±2'		.XXX±.051		SMT TYPE 123	
		dr		D.SHEAFFER		8/7/95		dwg no	
E	V80376	RHG	3/10/98	engr		D.BRANN		8/7/95	
F	V02257	TFG	11/2/00	chr		D.BRANN		8/7/95	
G	N05-0111	W B	04/20/05	appa		D.BRANN		8/7/95	
sheet		revision		J J J J J J J J		J J J J		J J J J	
index		sheet		1 2 3 4 5 6 7 8		9 10 11 12			



71240
A4
CUSTOMER Drawing

FCI CONFIDENTIAL



This document is the property of and embodies CONFIDENTIAL and PROPRIETARY information of FCI. No part of this information shown on this document may be used in any way or disclosed to others without the written consent of FCI. Copyright FCI.

DESCRIPTION: ABOVE PCB, DECK AND PUSH ROD LOCATION ARE AS VIEWED BY USER.

PRODUCT NO. 71240-XXXX	PUSH-ROD LOCATION		STAND-OFF HEIGHT	(A) CLOSEST TO PCB	(B) FARTHEST FROM PCB	MATING RECEPTACLE (C)	MOUNTING STYLE TO PCB AND PUSH-ROD SIDE
	DECK CLOSEST TO PCB	DECK FARTHEST FROM PCB		EJ HDR. ASSY 71299-XXXX	EJ HDR. ASSY 71299-XXXX		
000CALF	LEFT	RIGHT	0.0	100CALF	005CALF	100 POSITION (2X50) 0.8mm RECEPTACLES PART NO. 73277-101402LF	
020CALF	LEFT	RIGHT	2.2	120CALF	025CALF		
040CALF	LEFT	RIGHT	4.3	140CALF	045CALF		
050CALF	LEFT	RIGHT	5.0	150CALF	055CALF		
100CALF	RIGHT	LEFT	0.0	000CALF	105CALF		
120CALF	RIGHT	LEFT	2.2	020CALF	125CALF		
140CALF	RIGHT	LEFT	4.3	040CALF	145CALF		
150CALF	RIGHT	LEFT	5.0	050CALF	155CALF		
200CALF	RIGHT	RIGHT	0.0	000CALF	005CALF		
220CALF	RIGHT	RIGHT	2.2	020CALF	025CALF		
240CALF	RIGHT	RIGHT	4.3	040CALF	045CALF		
250CALF	RIGHT	RIGHT	5.0	050CALF	055CALF		
300CALF	LEFT	LEFT	0.0	100CALF	105CALF		
320CALF	LEFT	LEFT	2.2	120CALF	125CALF		
340CALF	LEFT	LEFT	4.3	140CALF	145CALF		
350CALF	LEFT	LEFT	5.0	150CALF	155CALF		
351CALF	LEFT	LEFT	5.0	151CALF	156CALF		

NOTE:

1. SEE 71299 FOR SINGLE DECK APPLICATIONS.

ORDERING INFORMATION

ORDER:

- 1 (A) DECK CLOSEST TO PCB
- 2 (B) DECK FARTHEST FROM PCB
- 3 (C) 2 EACH MATING RECEPTACLES

mat'l. code		surface	tolerance	projection	product family
		ISO 1302	ISO 406 ISO 1181		CARBUS
l	tr	ec	n	o	dr
date		tolerances unless otherwise specified			title
J		angles	.X±.3	MM	CARDBUS EJECT ASS'Y SMT TYPE 123
		linear	.XX±.13	←→	
		±2'	.XXX±.051	scale 3/4	dwg no
		dr	D.SHEAFFER	8/7/95	sheet 2 of 2
		engr	D.BRANN	8/7/95	size
		chr	D.BRANN	8/7/95	71240
		appd	D.BRANN	8/7/95	A4
sheet index		revision sheet		type CUSTOMER Drawing	

FCI CONFIDENTIAL



This document is the property of and embodies CONFIDENTIAL and PROPRIETARY information of FCI. No part of this information shown on this document may be used in any way or disclosed to others without the written consent of FCI. Copyright FCI.

DESCRIPTION: BELOW PCB, DECK AND PUSH ROD LOCATION ARE AS VIEWED BY USER

PRODUCT NO. 71240-XXXXX	PUSH-ROD LOCATION		STAND-OFF HEIGHT	(A) CLOSEST TO PCB	(B) FARTHEST FROM PCB	MATING RECEPTACLE C	MOUNTING STYLE TO PCB AND PUSH-ROD SIDE
	DECK CLOSEST TO PCB	DECK FARTHEST FROM PCB		EJ HDR. ASSY 71299-XXXXX	EJ HDR. ASSY 71299-XXXXX		
520CA	RIGHT	LEFT	2.2	520CA	625CA	100 POSITION (2X50) 0.8mm RECEPTACLES PART NO. 73277-101000	
540CA	RIGHT	LEFT	4.3	540CA	645CA		
550CA	RIGHT	LEFT	5.0	550CA	655CA		
620CA	LEFT	RIGHT	2.2	620CA	525CA		
640CA	LEFT	RIGHT	4.3	640CA	545CA		
650CA	LEFT	RIGHT	5.0	650CA	555CA		
720CA	RIGHT	RIGHT	2.2	520CA	525CA		
740CA	RIGHT	RIGHT	4.3	540CA	545CA		
750CA	RIGHT	RIGHT	5.0	550CA	555CA		
820CA	LEFT	LEFT	2.2	620CA	625CA		
840CA	LEFT	LEFT	4.3	640CA	645CA		
850CA	LEFT	LEFT	5.0	650CA	655CA		

NOTE:

- SEE 71299 FOR SINGLE DECK APPLICATIONS.
- BELOW P.C.B., 0.0mm STAND-OFF IS NOT AVAILABLE.

ORDERING INFORMATION

ORDER:

- (A) DECK CLOSEST TO PCB
- (B) DECK FARTHEST FROM PCB
- (C) 2 EACH MATING RECEPTACLES

mat'l. code		surface		tolerance		projection		product family	
		ISO 1302		ISO 406 ISO 1181				CARDBUS	
ltr ecn no dr date		tolerances unless otherwise specified		title		dwg no		sheet 3 of 2 size	
J		angles		linear		MM		CARDUS EJCT ASS'Y	
		±2'		.X±.3		scale 3/4		SMT TYPE 123	
		dr D.SHEAFFER		8/7/95				71240	
		engr D.BRANN		8/7/95				A4	
		chr D.BRANN		8/7/95				type CUSTOMER Drawing	
		appa D.BRANN		8/7/95					
sheet index		revision sheet							

FCI CONFIDENTIAL



This document is the property of and embodies CONFIDENTIAL and PROPRIETARY information of FCI. No part of this information shown on this document may be used in any way or disclosed to others without the written consent of FCI. Copyright FCI.

DESCRIPTION: BELOW PCB, DECK AND PUSH ROD LOCATION ARE AS VIEWED BY USER

PRODUCT NO. 71240-XXXXX	PUSH-ROD LOCATION		STAND-OFF HEIGHT	Ⓐ CLOSEST TO PCB	Ⓑ FARTHEST FROM PCB	MATING RECEPTACLE Ⓒ	MOUNTING STYLE TO PCB AND PUSH-ROD SIDE
	DECK CLOSEST TO PCB	DECK FARTHEST FROM PCB		EJ HDR. ASSY 71299-XXXXX	EJ HDR. ASSY 71299-XXXXX		
520CALF	RIGHT	LEFT	2.2	520CALF	625CALF	100 POSITION (2X50) 0.8mm RECEPTACLES PART NO. 73277-101402LF	
540CALF	RIGHT	LEFT	4.3	540CALF	645CALF		
550CALF	RIGHT	LEFT	5.0	550CALF	655CALF		
620CALF	LEFT	RIGHT	2.2	620CALF	525CALF		
640CALF	LEFT	RIGHT	4.3	640CALF	545CALF		
650CALF	LEFT	RIGHT	5.0	650CALF	555CALF		
720CALF	RIGHT	RIGHT	2.2	520CALF	525CALF		
740CALF	RIGHT	RIGHT	4.3	540CALF	545CALF		
750CALF	RIGHT	RIGHT	5.0	550CALF	555CALF		
820CALF	LEFT	LEFT	2.2	620CALF	625CALF		
840CALF	LEFT	LEFT	4.3	640CALF	645CALF		
850CALF	LEFT	LEFT	5.0	650CALF	655CALF		

NOTE:

- SEE 71299 FOR SINGLE DECK APPLICATIONS.
- BELOW P.C.B., 0.0mm STAND-OFF IS NOT AVAILABLE.

ORDERING INFORMATION

- ORDER:
- Ⓐ DECK CLOSEST TO PCB
 - Ⓑ DECK FARTHEST FROM PCB
 - Ⓒ 2 EACH MATING RECEPTACLES

mat'l. code	surface ISO 1302	tolerance ISO 406 ISO 1181	projection 1:1	product family CARBUS
tr	ec	no	dr	date
J				
	angles	linear	tolerances unless otherwise specified	
	±2'	.X±.3 .XX±.13 .XXX±.051	MM	title CARBUS EJECT ASS'Y SMT TYPE 123
	dr	D.SHEAFFER	8/7/95	dwg no
	enr	D.BRANN	8/7/95	71240
	chr	D.BRANN	8/7/95	sheet 4 of 2
	app	D.BRANN	8/7/95	size A4
				type CUSTOMER Drawing
sheet index	revision sheet			

FCI CONFIDENTIAL



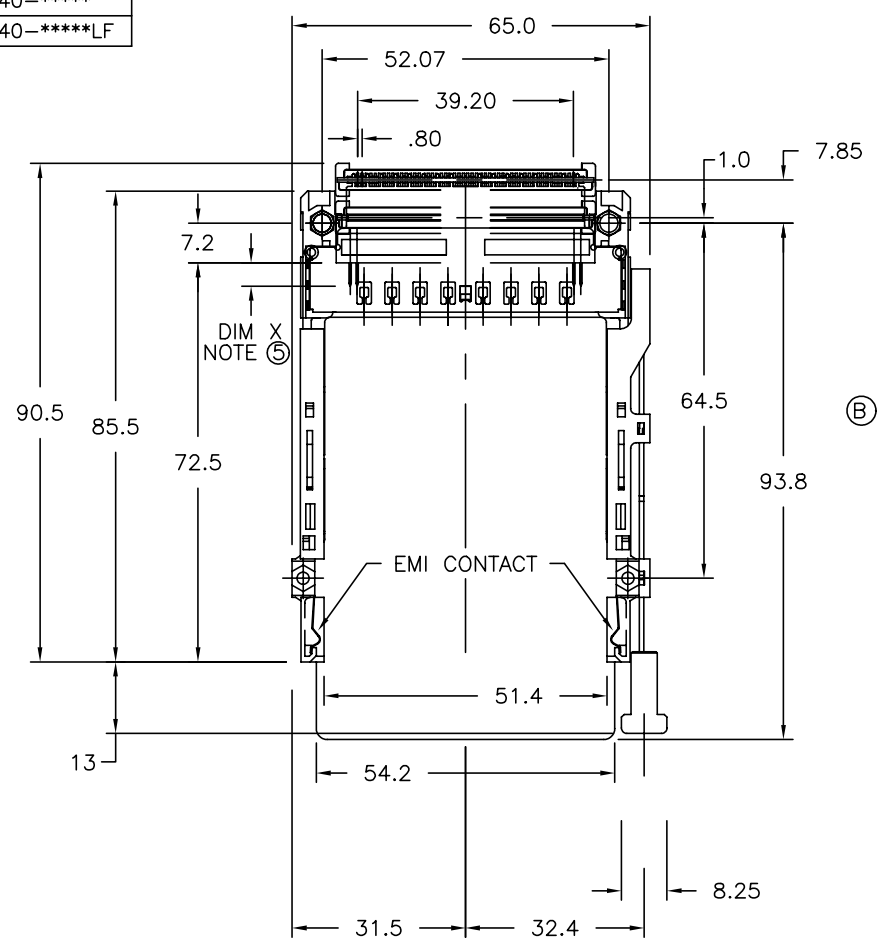
This document is the property of and embodies CONFIDENTIAL and PROPRIETARY information of FCI. No part of this information shown on this document may be used in any way or disclosed to others without the written consent of FCI. Copyright FCI.

FCI CONFIDENTIAL

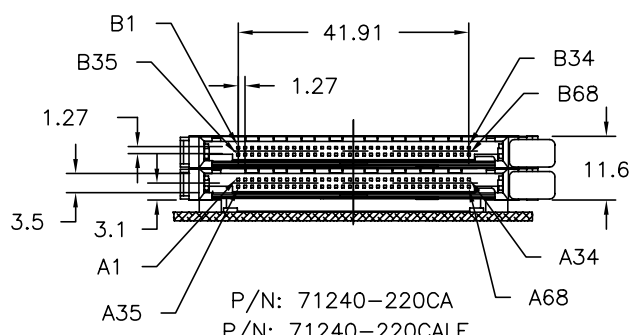
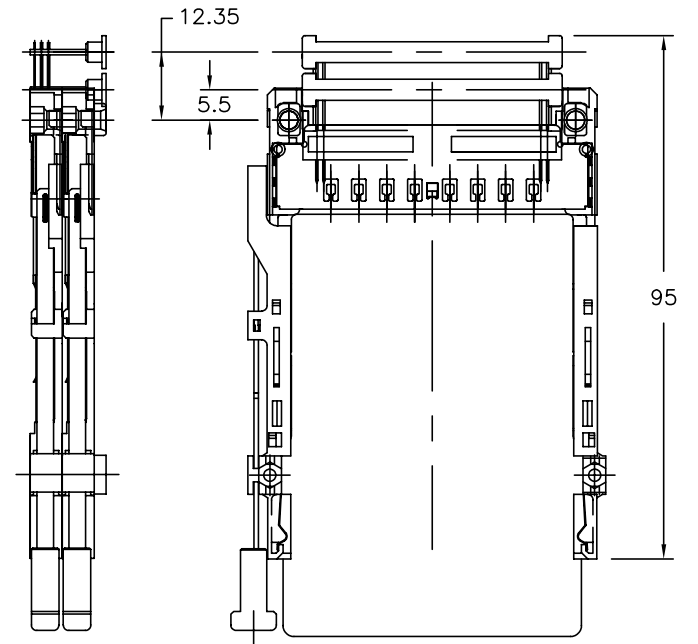
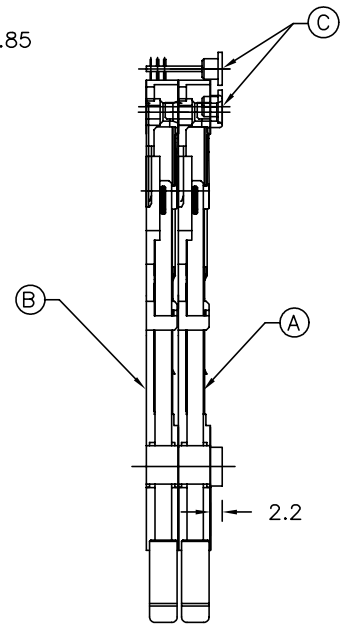
FCI
FCIconnect.com

This document is the property of and embodies CONFIDENTIAL and PROPRIETARY information of FCI. No part of this information shown on this document may be used in any way or disclosed to others without the written consent of FCI.
Copyright FCI.

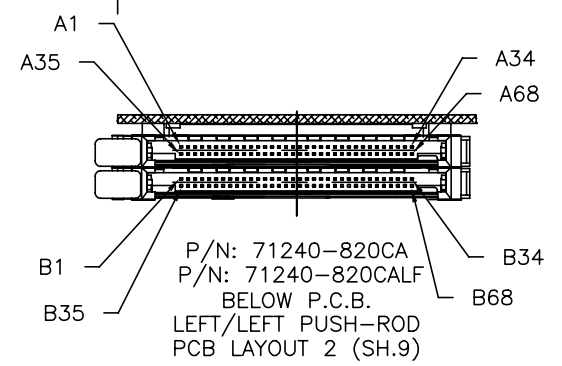
PRODUCT NUMBER
71240-****
71240-****LF



MATING RECEPTACLE SHOWN FOR APPLICATION CLARITY ONLY MUST BE PURCHASED SEPARATELY



P/N: 71240-220CA
P/N: 71240-220CALF
ABOVE P.C.B.
RIGHT/RIGHT PUSH-ROD
PCB LAYOUT 1 (SH.9)



P/N: 71240-820CA
P/N: 71240-820CALF
BELOW P.C.B.
LEFT/LEFT PUSH-ROD
PCB LAYOUT 2 (SH.9)

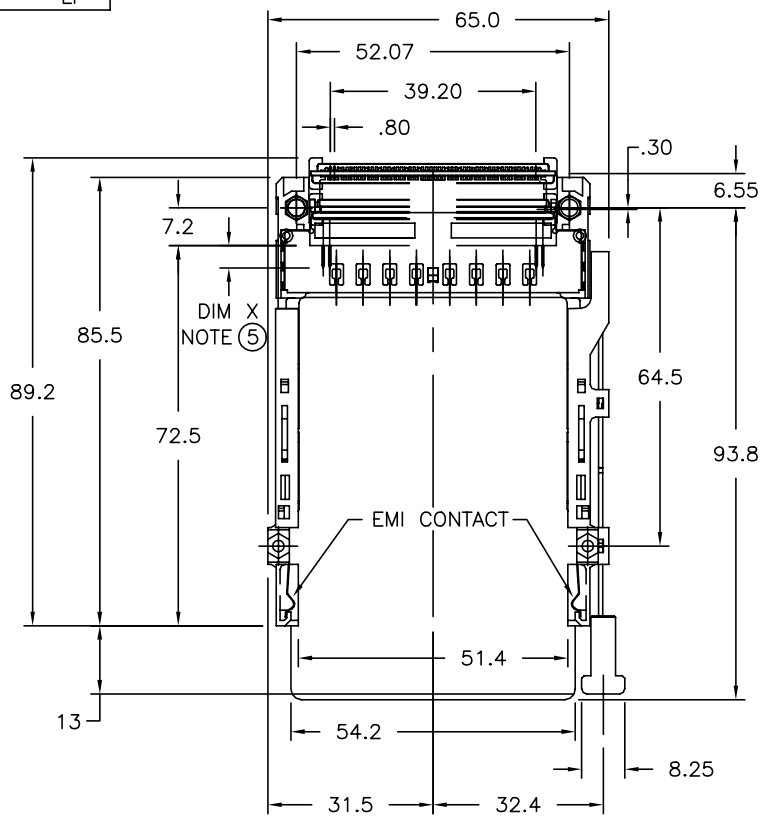
mat'l. code		surface	tolerance	projection	product family
		ISO 1302	ISO 406 ISO 1101	1:1	CARDBUS
ltr ecn no dr date		tolerances unless otherwise specified			
J		angles	.X±.3	MM	CARDBUS EJECT ASS'Y SMT TYPE 123
		linear	.XX±.13 .XXX±.051	scale 3/4	
		dr	D.SHEAFFER	8/7/95	dwg no 71240 sheet 5 of 2 size A4
		engr	D.BRANN	8/7/95	
		chr	D.BRANN	8/7/95	
		appd	D.BRANN	8/7/95	
sheet index		revision sheet	type CUSTOMER Drawing		

FCI CONFIDENTIAL

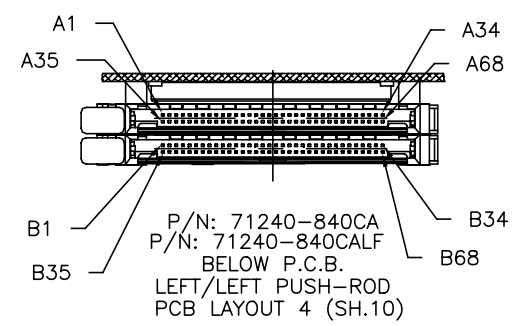
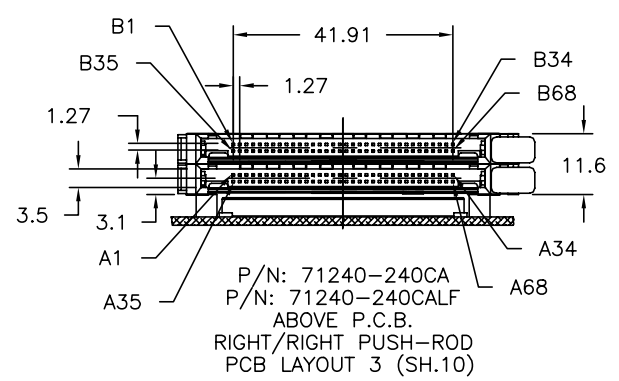
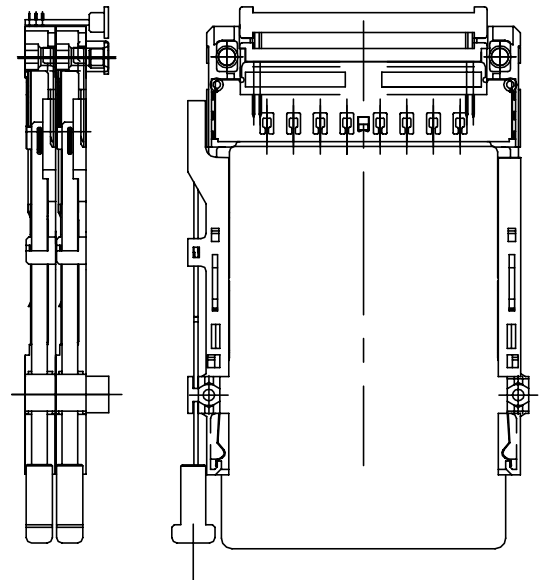
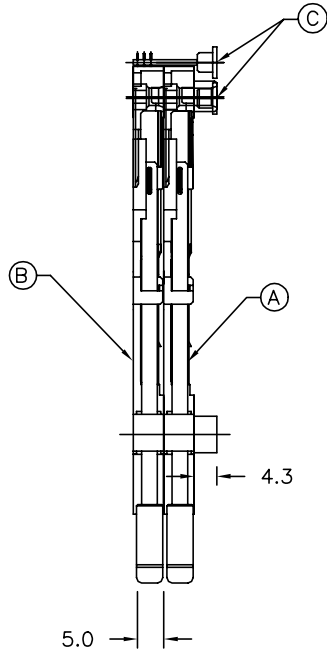
FCI
FCIconnect.com

This document is the property of and embodies CONFIDENTIAL and PROPRIETARY information of FCI. No part of this information shown on this document may be used in any way or disclosed to others without the written consent of FCI.
Copyright FCI.

PRODUCT NUMBER
71240-****
71240-****LF



MATING RECEPTACLE SHOWN FOR APPLICATION CLARITY ONLY MUST BE PURCHASED SEPARATELY



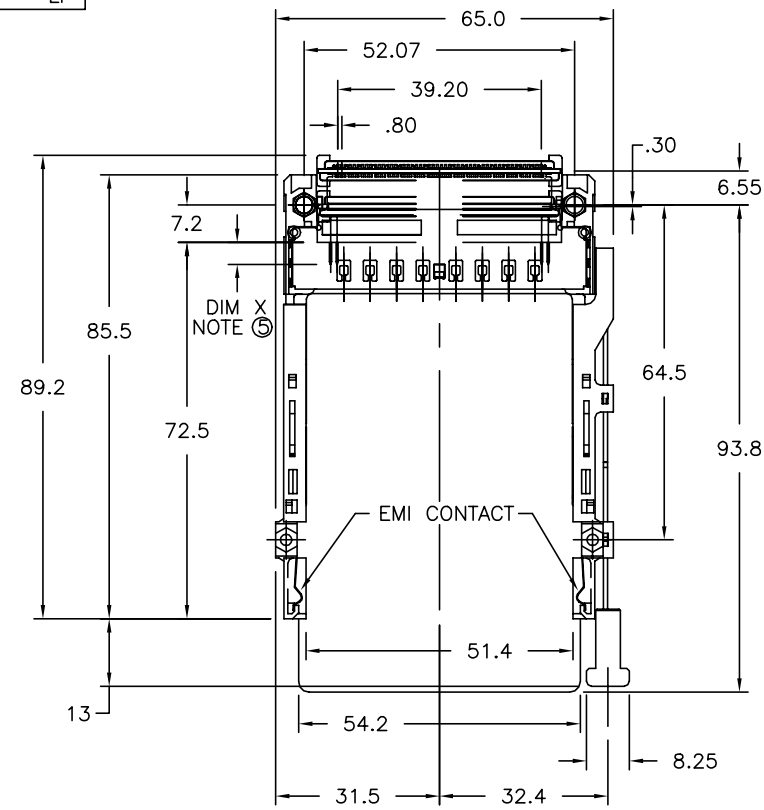
mat'l. code	surface ISO 1302	tolerance ISO 406 ISO 1101	projection 1:1	product family CARDBUS			
tr	ec	n	o	dr	date	tolerances unless otherwise specified	title
J		angles	.X±.3	CARDBUS EJECT ASS'Y SMT TYPE 123		linear	MM
		±2'	.XX±.13	scale	3/4		
	dr	D.SHEAFFER	8/7/95	dwg no	71240	sheet	6 of 2
	enr	D.BRANN	8/7/95	size	A4		
	chr	D.BRANN	8/7/95	type	CUSTOMER	Drawing	
	app	D.BRANN	8/7/95				
sheet index	revision sheet						

FCI CONFIDENTIAL

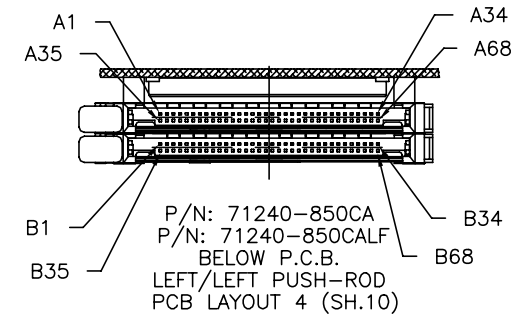
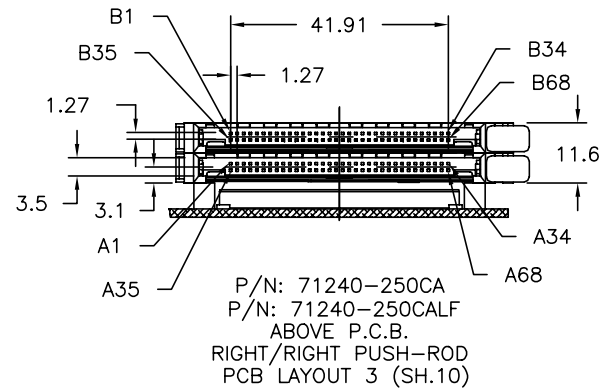
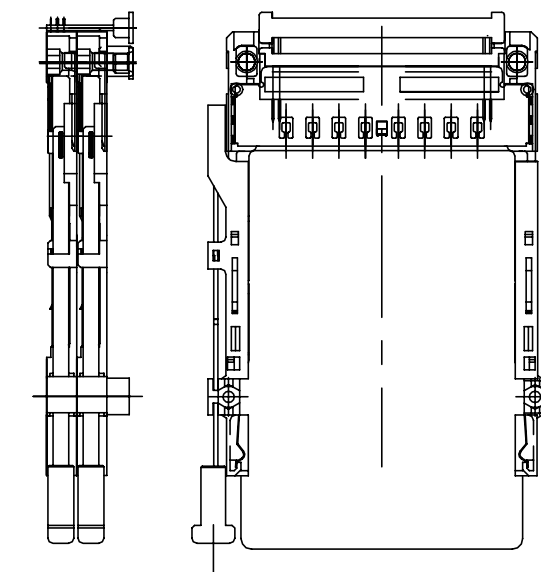
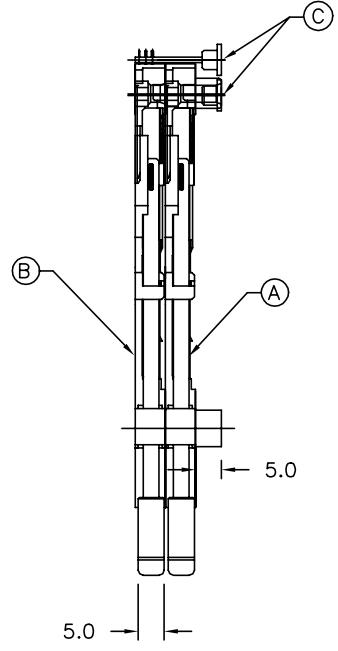
FCI
FCIconnect.com

This document is the property of and embodies CONFIDENTIAL and PROPRIETARY information of FCI. No part of this information shown on this document may be used in any way or disclosed to others without the written consent of FCI.
Copyright FCI.

PRODUCT NUMBER
71240-*****
71240-*****LF



MATING RECEPTACLE
SHOWN FOR APPLICATION
CLARITY ONLY
MUST BE PURCHASED
SEPARATELY



mat'l. code	surface ISO 1302	tolerance ISO 406 ISO 1181	projection 1:1	product family CARDBUS
ltr ecn no dr date	tolerances unless otherwise specified			
J	angles ±2'	lineal .XX±.13 .XXX±.051	MM ←→	CARDBUS EJECT ASS'Y SMT TYPE 123
	dr D.SHEAFFER 8/7/95		scale 3/4	dwg no 71240 sheet 7 of 2 size A4
	engr D.BRANN 8/7/95		FCI	type CUSTOMER Drawing
	chr D.BRANN 8/7/95			
	appo D.BRANN 8/7/95			
sheet index	revision sheet			

FCI CONFIDENTIAL

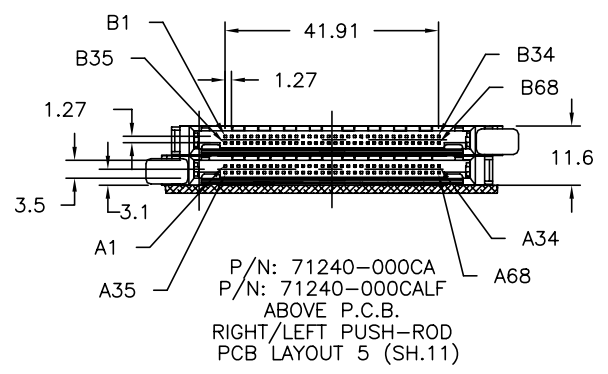
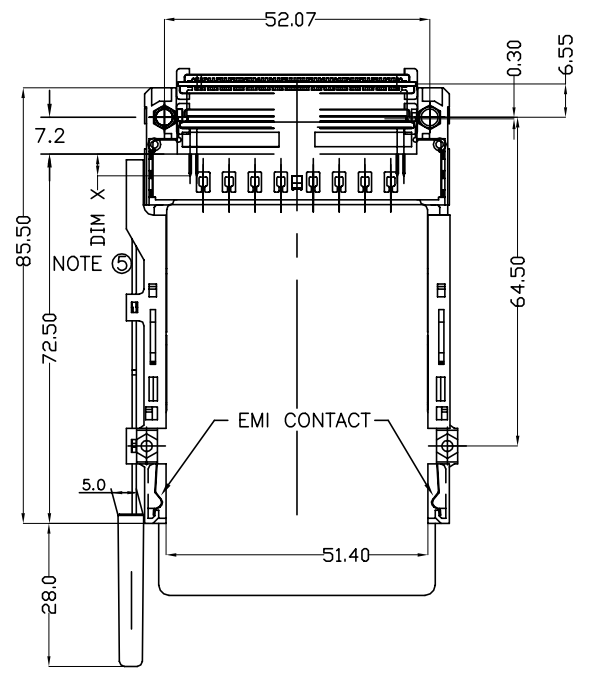
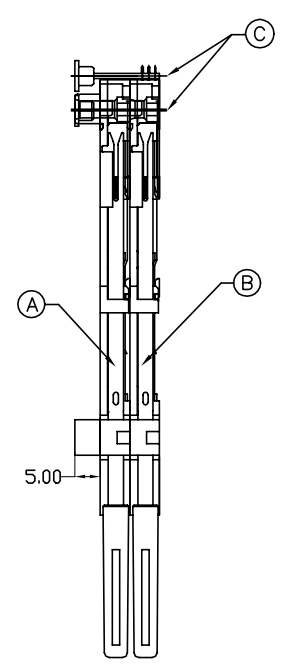
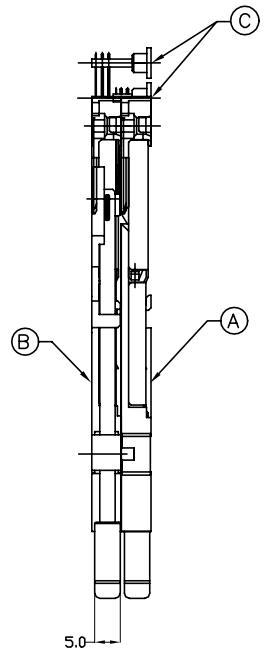
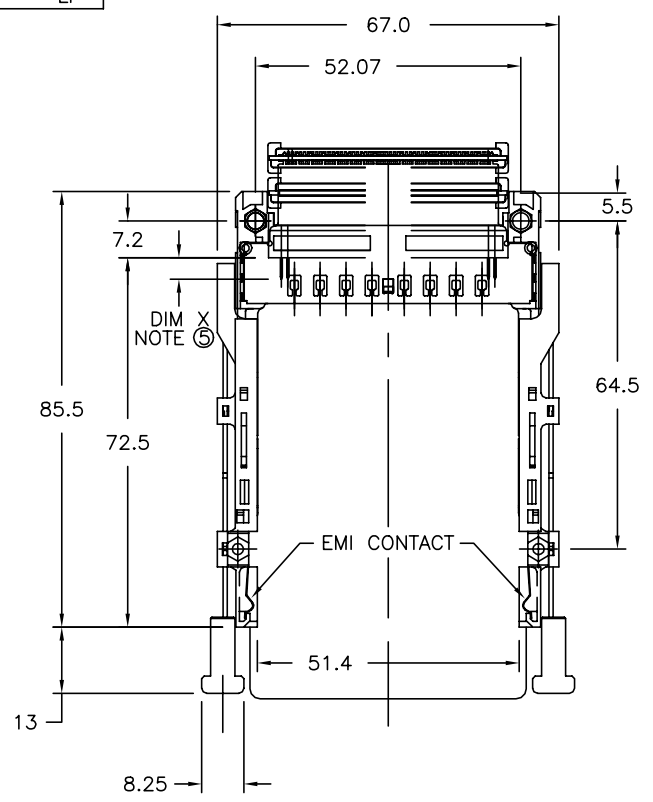
FCI

This document is the property of and embodies CONFIDENTIAL and PROPRIETARY information of FCI. No part of the information shown on this document may be used in any way or disclosed to others without the written consent of FCI.

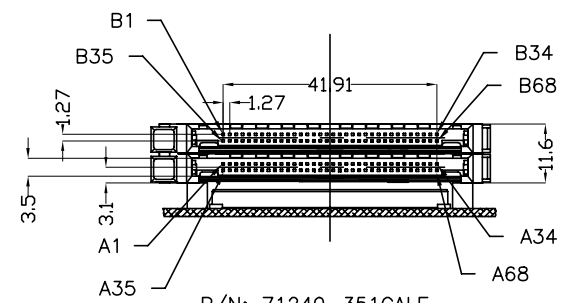
Copyright FCI

PRODUCT NUMBER
71240-****
71240-****LF

MATING RECEPTACLE SHOWN FOR APPLICATION CLARITY ONLY MUST BE PURCHASED SEPARATELY



P/N: 71240-000CA
P/N: 71240-000CALF
ABOVE P.C.B.
RIGHT/LEFT PUSH-ROD
PCB LAYOUT 5 (SH.11)



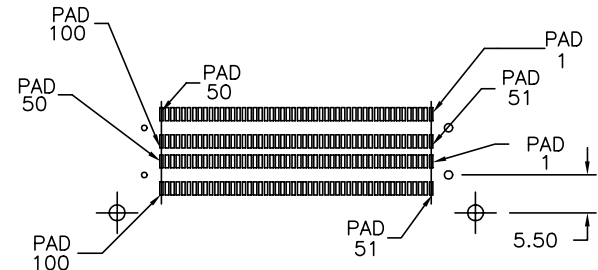
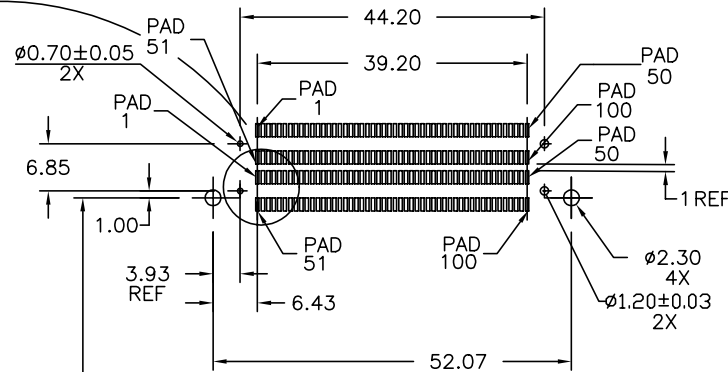
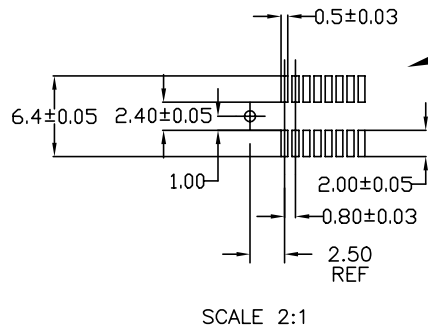
P/N: 71240-351CALF
ABOVE P.C.B.
RIGHT/RIGHT PUSH-ROD
PCB LAYOUT 3 (SH.10)

mat'l. code	surface	tolerance	projection	product family
	ISO 1302	ISO 406 ISO 1101		CARDBUS
ltr ecn no dr date	tolerances unless otherwise specified			title
J	angles	.X±.3	MM	CARDBUS EJECT ASS'Y
	linear	.XX±.13		SMT TYPE 123
	±2'	.XXX±.051	scale 3/4	
	dr	D.SHEAFFER 8/7/95		dwg no
	enr	D.BRANN 8/7/95		sheet 8 of 2
	chr	D.BRANN 8/7/95		size
	app	D.BRANN 8/7/95		A4
sheet index	revision sheet			type CUSTOMER Drawing



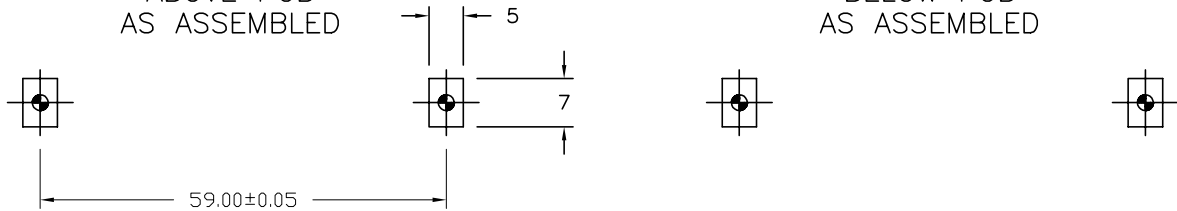
FCI CONFIDENTIAL

P.C.B. LAYOUT FOR 2.2mm STANDOFF



P.C.B. LAYOUT 1 ABOVE PCB AS ASSEMBLED

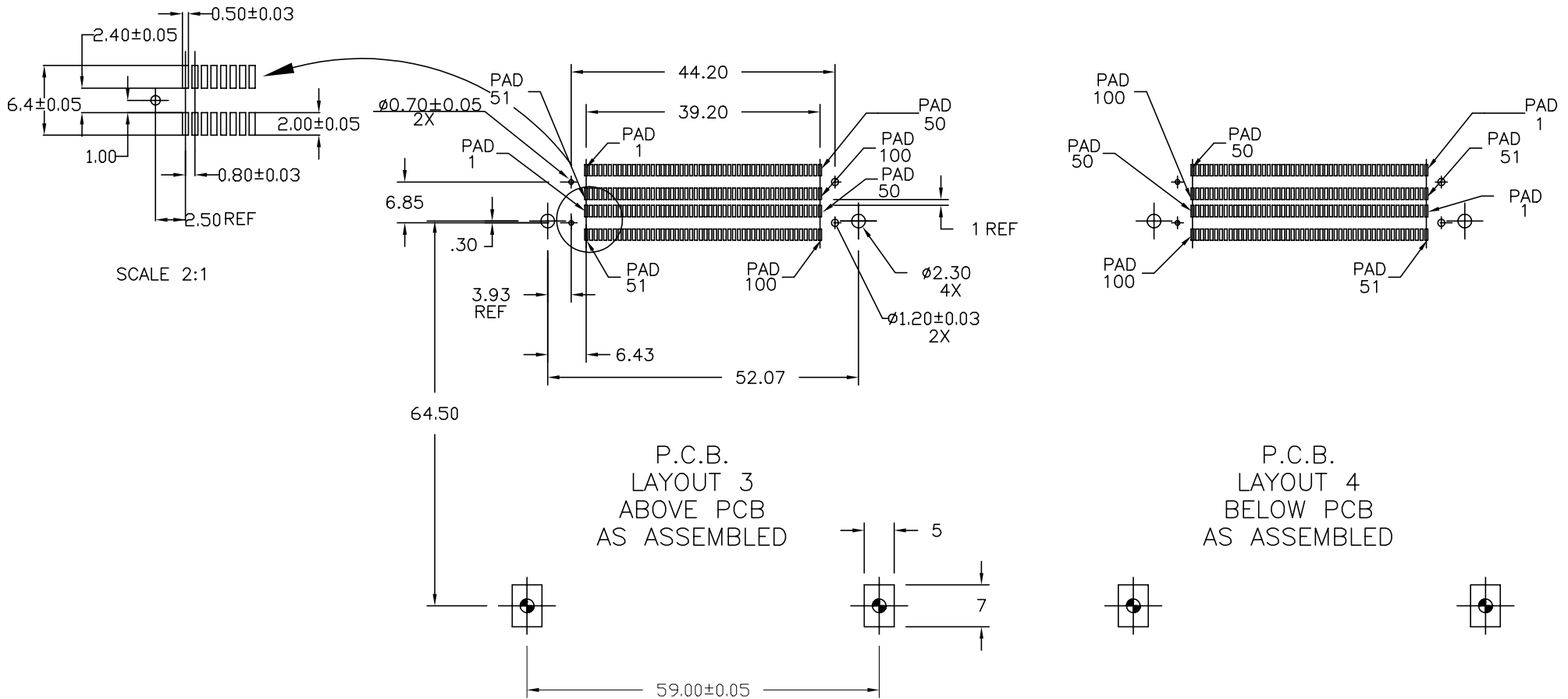
P.C.B. LAYOUT 2 BELOW PCB AS ASSEMBLED



This document is the property of and embodies CONFIDENTIAL and PROPRIETARY information of FCI. No part of this information shown on this document may be used in any way or disclosed to others without the written consent of FCI.
 Copyright FCI.

mat'l. code		surface		tolerance		projection		product family	
		ISO 1302		ISO 406 ISO 1181		1:1		CARDBUS	
tr		ecn		no		dr		date	
J		angles		.X±.3		linear		.XX±.13	
		±2'		.XXX±.051		scale		3/4	
dr		D.SHEAFFER		8/7/95		FCI		dwg no	
engr		D.BRANN		8/7/95				sheet 9 of 2	
chr		D.BRANN		8/7/95				71240	
appd		D.BRANN		8/7/95				A4	
sheet		revision						type	
index		sheet						CUSTOMER Drawing	

P.C.B. LAYOUT FOR 4.3 AND 5.0mm STANDOFFS



P.C.B. LAYOUT 3 ABOVE PCB AS ASSEMBLED

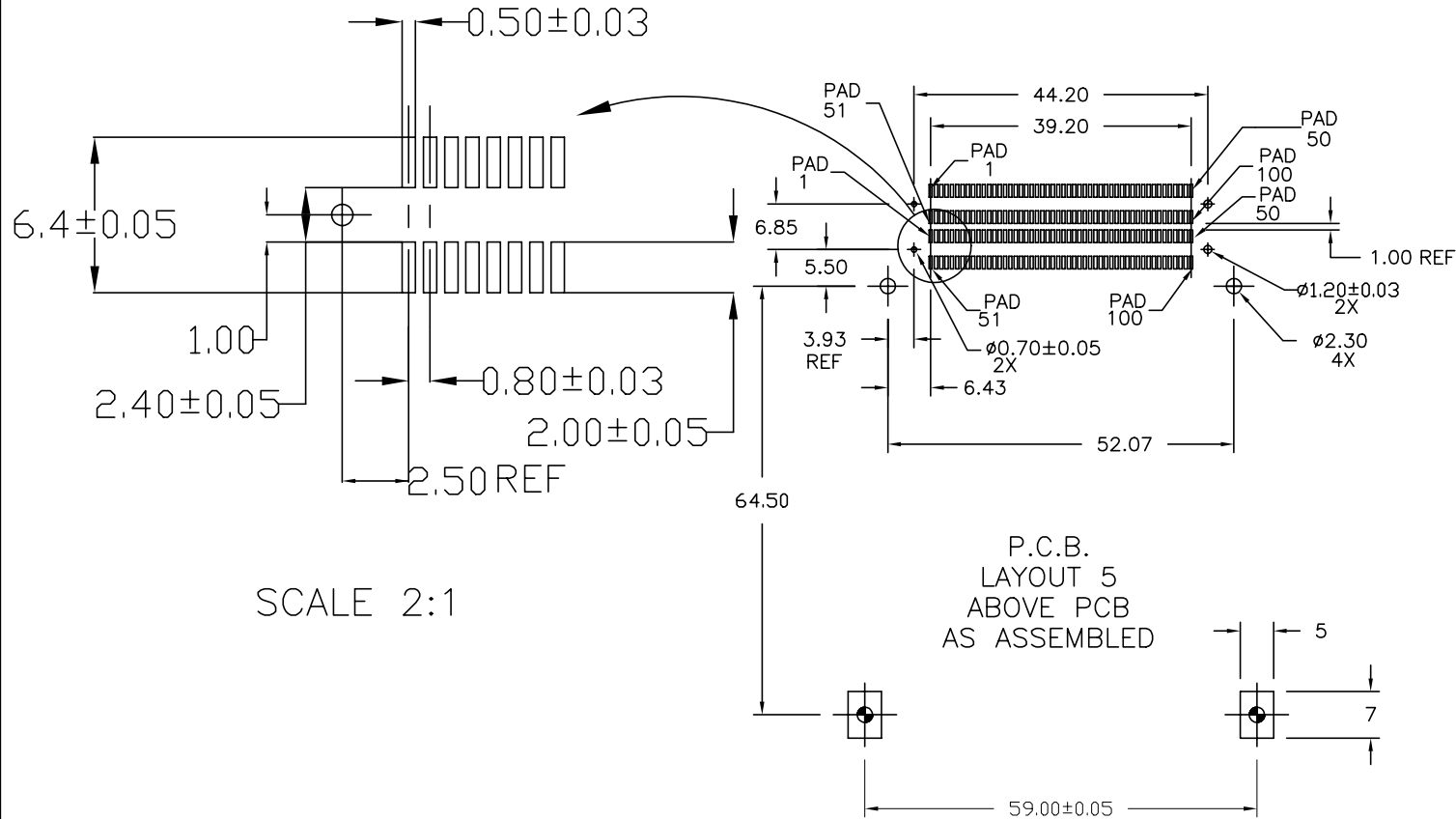
P.C.B. LAYOUT 4 BELOW PCB AS ASSEMBLED

This document is the property of and embodies CONFIDENTIAL and PROPRIETARY information of FCI. No part of this information shown on this document may be used in any way or disclosed to others without the written consent of FCI. Copyright FCI.

mat'l. code		surface		tolerance		projection		product family	
		ISO 1302		ISO 406 ISO 1181		1:1		CARDBUS	
trn		ecn		nadr		date		tolerances unless otherwise specified	
J								title	
		angles		.X±.3		MM		CARDBUS EJECT ASS'Y	
		linea		.XX±.13				SMT TYPE 123	
		±2'		.XXX±.051		scale 3/4			
		dr		D.SHEAFFER		8/7/95		dwg no	
		engr		D.BRANN		8/7/95		sheet 10 of 2	
		chr		D.BRANN		8/7/95		71240	
		appd		D.BRANN		8/7/95		A4	
								type CUSTOMER Drawing	
sheet index		revision sheet							

FCI CONFIDENTIAL

P.C.B. LAYOUT FOR 0mm STANDOFF



SCALE 2:1

P.C.B. LAYOUT 5 ABOVE PCB AS ASSEMBLED

This document is the property of and embodies CONFIDENTIAL and PROPRIETARY information of FCI. No part of this information shown on this document may be used in any way or disclosed to others without the written consent of FCI. Copyright FCI.

mat'l. code		surface		tolerance		projection		product family	
		ISO 1302		ISO 406 ISO 1181		1:1		CARDBUS	
ltr ecn no dr date		tolerances unless otherwise specified		title					
J		angles		.X±.3		MM		CARDBUS EJECT ASS'Y SMT TYPE 123	
		linear		.XX±.13					
		±2'		.XXX±.051		scale 3/4			
dr		D.SHEAFFER		8/7/95		FCI		dwg no sheet 1 of 2 size	
engr		D.BRANN		8/7/95				71240 A4	
chr		D.BRANN		8/7/95				type CUSTOMER Drawing	
appd		D.BRANN		8/7/95					
sheet index		revision sheet							

FCI CONFIDENTIAL

FCI

This document is the property of and embodies CONFIDENTIAL and PROPRIETARY information of FCI. No part of this information shown on this document may be used in any way or disclosed to others without the written consent of FCI. Copyright FCI.

1			2			3			4			5			6		
HEADER PINOUT	TYPE	BTB 100 POS RECEPTACLE	HEADER PINOUT	TYPE	BTB 100 POS RECEPTACLE	SHIELD PINOUT	TYPE	BTB 100 POS RECEPTACLE	SHIELD PINOUT	TYPE	BTB 100 POS RECEPTACLE	SHIELD PINOUT	TYPE	BTB 100 POS RECEPTACLE	SHIELD PINOUT	TYPE	BTB 100 POS RECEPTACLE
1	GND	1	35	GND	51	1	GND	4 & 54									
2	SIG	2	36	DET	52	2	GND	7 & 57									
3	SIG	3	37	SIG	53	3	GND	10 & 60									
4	SIG	5	38	SIG	55	4	GND	13 & 63									
5	SIG	6	39	SIG	56	5	GND	16 & 66									
6	SIG	8	40	SIG	58	6	GND	19 & 69									
7	SIG	9	41	SIG	59	7	GND	22 & 72									
8	SIG	11	42	SIG	61	8	GND	25 & 75									
9	SIG	12	43	SIG	62	9	GND	26 & 76									
10	SIG	14	44	SIG	64	10	GND	29 & 79									
11	SIG	15	45	SIG	65	11	GND	32 & 82									
12	SIG	17	46	SIG	67	12	GND	35 & 85									
13	SIG	18	47	SIG	68	13	GND	38 & 88									
14	SIG	20	48	SIG	70	14	GND	41 & 91									
15	SIG	21	49	SIG	71	15	GND	44 & 94									
16	SIG	23	50	SIG	73	16	GND	47 & 97									
17	PWR	24	51	PWR	74												
18	SIG	27	52	SIG	77												
19	SIG	28	53	SIG	78												
20	SIG	30	54	SIG	80												
21	SIG	31	55	SIG	81												
22	SIG	33	56	SIG	83												
23	SIG	34	57	SIG	84												
24	SIG	36	58	SIG	86												
25	SIG	37	59	SIG	87												
26	SIG	39	60	SIG	89												
27	SIG	40	61	SIG	90												
28	SIG	42	62	SIG	92												
29	SIG	43	63	SIG	93												
30	SIG	45	64	SIG	95												
31	SIG	46	65	SIG	96												
32	SIG	48	66	SIG	98												
33	SIG	49	67	DET	99												
34	GND	50	68	GND	100												

NOTES:

- 1 8mm MIN CARD EJECT.
 - 2 EJECT TRAVEL: 9.5mm
 - 3 MATERIAL:
 - 3.1 HEADER ASSY:
 - PLASTIC HOUSING: HIGH TEMPERATURE THERMOPLASTIC UL94V-0 BLACK - ABOVE PCB
 - HIGH TEMPERATURE THERMOPLASTIC UL94V-0 BLACK - BELOW PCB
 - PIN: PHOSPHOR BRONZE
 - PCB: FR4
 - 3.2 EJECT MECHANISM ASSY:
 - PLASTIC GUIDE: HIGH TEMPERATURE THERMOPLASTIC UL94V-0 BLACK
 - PLASTIC PUSH-ROD BUTTON: HIGH TEMPERATURE THERMOPLASTIC UL94V-0 BLACK
 - COVER PLATE, EJECT PLATE, LINK ARM,
 - PUSH ROD: STAINLESS STEEL
 - EMI CONTACT: PHOSPHOR BRONZE
 - 3.3 .8 BTB RECEPTACLE: (73277-101000 FOR TIN LEAD)
 - 3.3 .8 BTB RECEPTACLE: (73277-101402LF FOR LEAD FREE)
 - PLASTIC: HIGH TEMPERATURE THERMOPLASTIC UL94V-0 BLACK
 - CONTACT: BeCu
 - 4 FINISH (PIN)
 - UNDER PLATING: 0.5um Ni
 - CONTACT AREA: 0.076 μm MIN. GOLD
- SOLDER TAIL: TIN LEAD OPTION: 2.5um Sn-Pb
LEAD FREE OPTION: 2.5um PURE TIN
- ⑤ DIM "X"
- | | | |
|----------|---------|------------------|
| 4.25±0.1 | 3.5±0.1 | 5.0±0.1 |
| OTHERS | 36,67 | 1,17,34,35,51,68 |
- 6 RECOMMENDED SCREW TORQUE: 1.0 TO 1.5 MAX in-lbs. (1.2-1.7 cm-kgs).
RECOMMENDED HOLD-DOWN: 2mm SCREWS AND HEX NUTS.
SEE DRAWINGS 95121 AND 92869 FOR CHARTED INFORMATION.
 - 7 ORDER MATING RECEPTACLES SEPARATELY.
 - 8 IF LEAD FREE P.N.THE HOUSING WILL WITHSTAND EXPOSURE TO 260°C PEAK TEMPERATURE FOR 10 SECONDS IN A WAVE SOLDER APPLICATION WITH A 1.00MM MINIMUM THICK CIRCUIT BOARD.
 - 9 IF LEAD FREE P/N.THE PRODUCT MEETS EUROPEAN UNION DIRECTIVES AND OTHER COUNTRY REGULATIONS AS DISCRIBLED IN GS-22-008
 - 10 LEAD FREE P/N PACKAGING MEETS GS-14-920 SPECIFICATION
 - 11 PRODUCT SPEC:110-263

mat'l. code		surface		tolerance		projection		product family	
		ISO 1302		ISO 406 ISO 1101		1:1		CARDBUS	
ltr		ecn		nadr		date		tolerances unless otherwise specified	
J								title	
		angles		.X±.3		MM		CARDBUS EJECT ASS'Y	
		line		.XX±.13				SMT TYPE 123	
		±2'		.XXX±.051		scale 3/4		dwg no	
		dr		D.SHEAFFER		8/7/95		sheet 2 of 2	
		engr		D.BRANN		8/7/95		size	
		chr		D.BRANN		8/7/95		A4	
		appd		D.BRANN		8/7/95		type CUSTOMER Drawing	
sheet		revision							
index		sheet							

X-ON Electronics

Largest Supplier of Electrical and Electronic Components

Click to view similar products for [Memory Card Connectors](#) category:

Click to view products by [Amphenol](#) manufacturer:

Other Similar products are found below :

[M10-597810-355](#) [M21-033321-005](#) [6426-201-21343](#) [69.920.0553.0](#) [MCR60A-98D-2.54DSA\(70\)](#) [FCN-568P068-G/07-4V](#) [809180410000000](#)
[95622-003LF](#) [DM3AT-SF-PEJM5\(41\)](#) [EN2997S72039F6](#) [N7E50-7516PG-20-WF](#) [IC11S-BUR-PNEJL\(71\)](#) [NX30TA-15PAA\(50\)](#) [NX60TA-](#)
[25SAA9-SP\(50\)](#) [21920-5](#) [2041353-2](#) [FUA006-3220-0](#) [33CFAE-DN](#) [MI21A-50PD-SF-EJR\(91\)](#) [502431-1011](#) [5175651-2](#) [10-247926-166](#) [10-](#)
[629549-258N](#) [EN2997S02039B8](#) [EN2997S61212BN](#) [EN2997S72039B6](#) [EN2997SE02039B8](#) [EN2997SE61212BN](#) [EN2997SE72039B6](#) [71-](#)
[252718-32P](#) [NX1-32T-KT3K\(05\)](#) [95622-003LF](#) [91-570124-15P](#) [192900-0488](#) [N7E50-U516RB-50-SIN0005](#) [DM1AA-SF-PEJ](#) [95079-](#)
[00CALF](#) [84648-056HLF](#) [68-580163-21S](#) [33DVIR-29S12R](#) [SF58S006VBBR2000](#) [93-570123-08P](#) [GMC020080HR](#) [125A-78C00](#)
[1010040575#](#) [MI20A-50PD-SF-EJL\(71\)](#) [KP10S-SF-PEJ\(812\)](#) [DM1AA-SF-PEJ\(31\)](#) [FO-10GGBLCX20-002](#) [504536-0691](#)