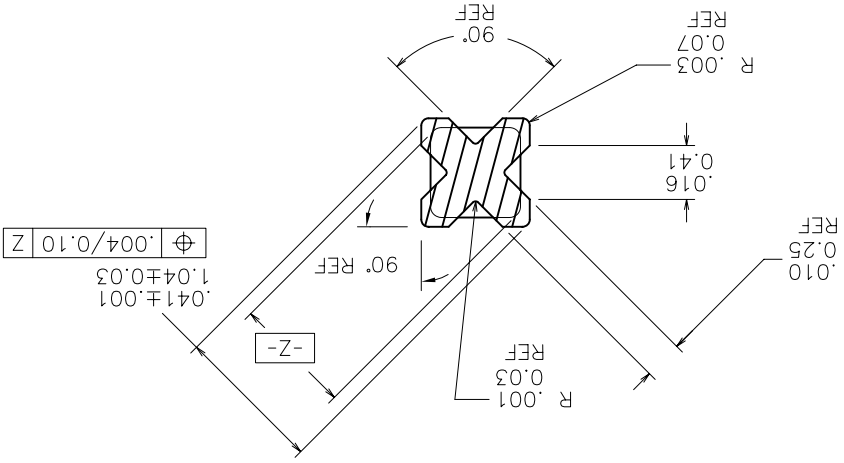
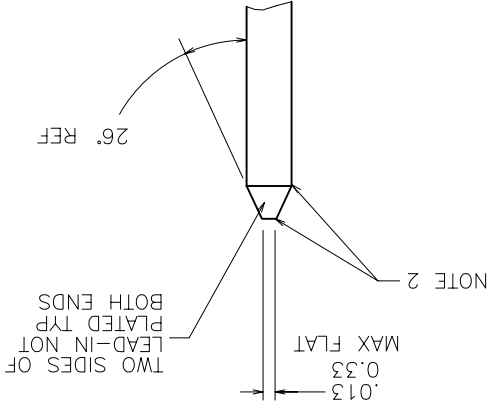


mat'l code	surface	tolerance	ASME Y14.5	projection	product family	BERGPIN® .200"[5.08]c	title	BERGPIN® .200"[5.08]c WITH SOLDER WASHER	scale	1:1	FCI	type	CUSTOMER Drawing	sheet	revision	index
SEE NOTE 1	tolerance unless otherwise specified	XX*01/X*3	angles	INCH/MM	product family	BERGPIN® .200"[5.08]c	title	WITH SOLDER WASHER	0±.2	1:1	FCI	type	CUSTOMER Drawing			
ecn no	dr	date	tolerances unless otherwise specified	ASME Y14.5	product family	BERGPIN® .200"[5.08]c	title	WITH SOLDER WASHER	0±.2	1:1	FCI	type	CUSTOMER Drawing			
appd	L. FYE	1995-08-17	tolerances unless otherwise specified	ASME Y14.5	product family	BERGPIN® .200"[5.08]c	title	WITH SOLDER WASHER	0±.2	1:1	FCI	type	CUSTOMER Drawing			
chp	L. FYE	1995-08-17	tolerances unless otherwise specified	ASME Y14.5	product family	BERGPIN® .200"[5.08]c	title	WITH SOLDER WASHER	0±.2	1:1	FCI	type	CUSTOMER Drawing			
engr	L. FYE	1995-08-17	tolerances unless otherwise specified	ASME Y14.5	product family	BERGPIN® .200"[5.08]c	title	WITH SOLDER WASHER	0±.2	1:1	FCI	type	CUSTOMER Drawing			
dr	M. FETROW	1995-08-17	tolerances unless otherwise specified	ASME Y14.5	product family	BERGPIN® .200"[5.08]c	title	WITH SOLDER WASHER	0±.2	1:1	FCI	type	CUSTOMER Drawing			

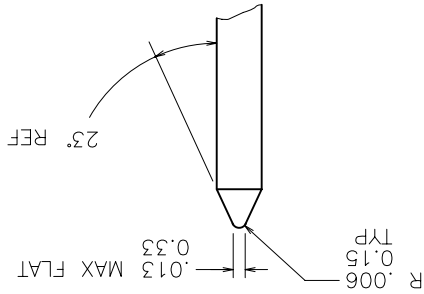
SECTION E-E
SCALE 2:1
(FERRULE REMOVED)



SWEDGE
DETAIL D
TYP BOTH ENDS



TRIM
DETAIL C
TYP BOTH ENDS



PRODUCT NUMBER
SEE TABLE



PRODUCT NUMBER	CONTACT AREA	TERMINATION AREA	OVERALL DIM L FOR DIM H FOR DIM H FOR	DIM H FOR DIM H FOR DIM H FOR
71258-010	.140/3.56	.100/2.54	.350/8.89	.302/7.67
71258-020	.240/6.10	.040/1.02	.390/9.91	.132/3.35
71258-030	.270/6.86	.040/1.02	.248/6.30	.232/5.89
71258-040	.290/7.37	.040/1.02	.278/7.06	.262/6.66
71258-050	.310/7.87	.040/1.02	.298/7.57	.282/7.16
71258-060	.310/7.87	.090/2.29	.318/8.08	.302/7.67
71258-070	.310/7.87	.120/3.05	.318/8.08	.302/7.67
71258-080	.310/7.87	.170/4.32	.318/8.08	.302/7.67
71258-090	.310/7.87	.270/6.86	.318/8.08	.302/7.67
71258-100	.330/8.38	.040/1.02	.338/8.59	.322/8.18
71258-110	.360/9.14	.040/1.02	.368/9.35	.352/8.94
71258-120	.360/9.14	.310/7.87	.368/9.35	.352/8.94
71258-130	.390/9.91	.040/1.02	.398/10.11	.382/9.70
71258-140	.430/10.92	.040/1.02	.438/11.25	.322/8.18
71258-150	.450/11.43	.040/1.02	.458/11.63	.442/11.23
71258-160	.470/11.94	.460/11.68	1.040/26.42	.478/12.14
71258-170	.485/12.32	.105/2.67	.700/17.78	.493/12.52
71258-180	.567/14.40	.456/11.58	.933/23.70	.575/14.61
71258-190	.585/14.86	.105/2.67	.800/20.32	.593/15.06
71258-200	.590/14.99	.040/1.02	.740/18.80	.598/15.19
71258-210	.705/17.91	.040/1.02	.855/21.72	.713/18.11

NOTES:

- ① PIN MAT'L: 3/4 HARD PHOS BRONZE
PLATING: 30µ [0.76µ] MIN Au OVER 50µ [1.27µ] MIN Ni.
- ② BURNISH MARKS ON PIN PERMITTED.
BURR: .003 [0:08] MAX, BULGE: .0005 [0:013] MAX TYP.
- ③ SEE PRODUCT SPECIFICATION BUS-12-064 FOR P.C. BOARD HOLE DIAMETER AND P.C. BOARD HOLE PLATING INFORMATION.
- ④ FOR MANUFACTURING PURPOSES ONLY.
- ⑤ DOUBLE ENDED PINS AS MARKED MUST MEET SPECS IN VIEWS C AND D ON BOTH ENDS. OTHERS TO HAVE .016 [0:41] MAX DIM ON BOTTOM END OF PIN.
- ⑥ SOLDER MAY BULGE IN THIS AREA BUT WILL NOT TOUCH FERRULE.
SOLDER VOLUME: 82.5 MIN PER PIN
(.068 X .074 X .021) BEFORE FORMING.
- ⑦ "A" DIM. IS TO FEATURE ON PIN.
"H" DIM. IS ABOVE BOARD.
"B" DIM. IS TO FEATURE ON PIN.

mat'l code	SEE NOTE 1	ecn no	dr	date	tolerances unless otherwise specified	surface	ASME Y14.5	projection	product family	PIN PRODUCTS	title	BERG PIN® .200" [5.08] ec WITH SOLDER WASHER	dwg no	71258	sheet 3 of 3 size	A4	type	CUSTOMER DRAWING	
sheet	revision	sheet	revision	sheet	revision	sheet	revision	sheet	revision	sheet	revision	sheet	revision	sheet	revision	sheet	revision	sheet	revision



X-ON Electronics

Largest Supplier of Electrical and Electronic Components

Click to view similar products for [Terminals](#) category:

Click to view products by [Amphenol](#) manufacturer:

Other Similar products are found below :

[HT-13-10](#) [71M-250-32-NB](#) [01-2065-1-0216](#) [00581P0075](#) [M10-10RX](#) [M10BCK](#) [60205-1](#) [604200-1](#) [60598-1-CUT-TAPE](#) [60617-1-C](#) [60873-1](#) [M14-516R/SK](#) [M14-6RSX](#) [M18-10FLX](#) [M18-8FBX](#) [M18-8R/LX](#) [M18BCK](#) [61314-6-C](#) [61-S](#) [61-SN-A](#) [62149-1](#) [62-NBM-A](#) [63-S](#) [640179-1](#) [640917-2-CUT-TAPE](#) [6501550002](#) [66107-2-C](#) [66107-4-C](#) [696683-1](#) [696834-1](#) [696861-1](#) [696931-1](#) [696999-1](#) [M8-516RK](#) [M86700006](#) [MA250DMFMX-A](#) [701-2007](#) [701-2307](#) [701-7761-03](#) [70F-110-32-PB](#) [718-N-A](#) [71M-187-20-NBL](#) [71M-250-32-NBL](#) [72F-187-20-NBL](#) [72M-250-32-NBL](#) [7310](#) [73F-250-32](#) [73F-250-32-NBL](#) [73F-250-32-NL](#) [F14-10C](#)