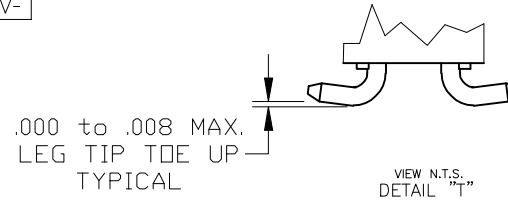
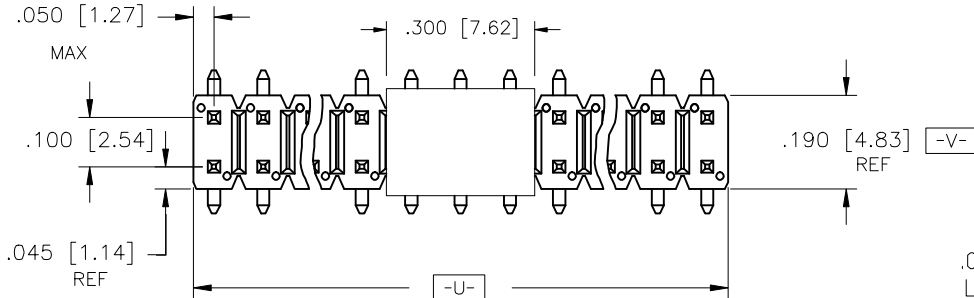


PRODUCT NO.
XXXXX-YYYHPLF

- LEAD FREE OPTION (SEE NOTE 9 & 10)
- PACKAGING OPTIONS (SEE NOTE 6)
- HIGH TEMPERATURE PLASTIC
- NO. OF POSITIONS (SEE NOTE 5)
- PLATING NUMBER (SEE SHEET 2)
- BASE PART NUMBER (SEE SHEET 4)



□ .025±.001 [0.64±0.03] TYP

⊕ ∅ .020/0.51 (M) U (M) V
NOTE 4

PICK-UP CAP
(IF REQ'D)

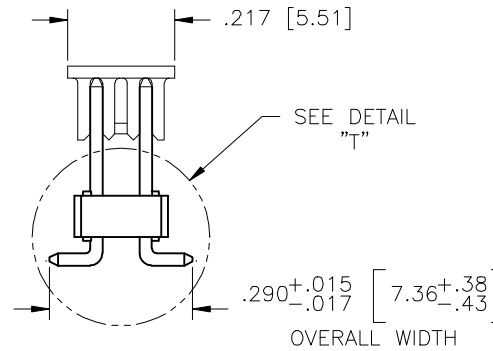
MATING LGTH.
DIM "H" ±.008 [0.20]

DIM "E"

NOTE 3

.100 [2.54] REF

∠ .004/0.10



mat'l. code		surface		tolerance		projection		product family	
-		ISO 1302		ISO 406		ISO 1301		BERGSTIK	
ltr	ecn no	dr	date	tolerances unless otherwise specified					
A	V20562	GIP	3/22/02	angles	.XX±.01/.X±.3		INCH/MM		title
B	V20778	GIP	7/09/02	linear	.XXX±.005/.XX±0.13		scale 1:1		BERGSTIK® II HDR. D/R
C	M05-0118	MHT	6/02/05	0'±2'	.XXX±.0020/.XXX±.05				.100 DUP. VERT. SMT.
D	M06-0269	MNR	7/17/06	dr	G. PETERS	3/22/02	FCJ		dwg no
E	M06-0356	MHT	9/08/06	engr	H. SUNDY	3/22/02			sheet 1 of 4 size
F	M08-0291	MHT	10/06/08	chr	H. SUNDY	3/22/02			A3
				appd	H. SUNDY	3/22/02			type
sheet		revision		F	F	F	Product Customer Drawing		
index		sheet		1	2	3	4		

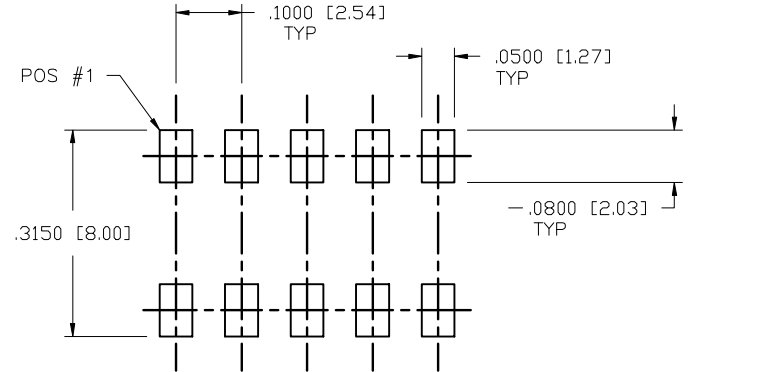
PRODUCT NUMBER	CONTACT AREA "DIM D" PLATING	TAIL PLATING
XXXXX-1YY	30u"/0.76um Au OVER 50u"/1.27um Ni.	100u"/2.54um Sn OVER 50u"/1.27um Ni.
XXXXX-2YY	15u"/0.38um Au OVER 50u"/1.27um Ni.	100u"/2.54um Sn OVER 50u"/1.27um Ni.
XXXXX-4YY	120u"/3.05um Sn OVER 50u"/1.27um Ni.	100u"/2.54um Sn OVER 50u"/1.27um Ni.
XXXXX-1YYLF	30u"/0.76um Au OVER 50u"/1.27um Ni.	100u"/2.54um Sn OVER 50u"/1.27um Ni.
XXXXX-2YYLF	15u"/0.38um Au OVER 50u"/1.27um Ni.	100u"/2.54um Sn OVER 50u"/1.27um Ni.
XXXXX-4YYLF	120u"/3.05um Sn OVER 50u"/1.27um Ni.	100u"/2.54um Sn OVER 50u"/1.27um Ni.

SEE NOTE 8 & 12

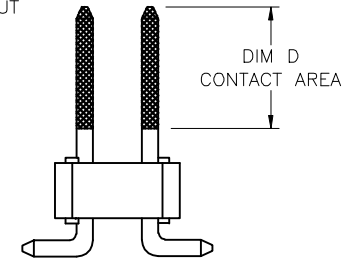
SEE NOTE 8 & 12

NOTES:

- ① BODY MATERIAL: GLASS FIBER REINFORCED PCT FLAME RETARDENT PER UL-94V-0. COLOR: BLACK
OR
MINERAL FILL LCP FLAME RETARDENT PER UL-94V-0. COLOR: BLACK
- ② PIN MATERIAL: PHOS-BRONZE.
- ③ 2 Lbs / 0.9 Kg MIN PIN RETENTION IN EITHER DIRECTION.
- ④ MEASURED WITH PART IN RESTRAINED CONDITION.
- ⑤ NUMBER OF POSITIONS FROM 4(2X2) THRU 40(2X20) EXCEPT TAPE-ON-REEL AVAILABLE 4(2X2) THRU 34(2X17) ONLY.
- ⑥ PACKAGING OPTIONS: CHECK SPECIFIC PART NUMBERS FOR AVAILABILITY.
PART NUMBERS WITHOUT A SUFFIX ARE PACKAGED IN POLY BAGS.
PART NUMBERS FOLLOWED BY A "T" SUFFIX ARE PACKAGED IN TUBES.
PART NUMBERS FOLLOWED BY A "V" SUFFIX ARE PACKAGED TAPE-ON-REEL WITH A PICK-UP CAP INSTALLED.
THE "Z" DIGIT FOLLOWING THE "V" INDICATES CUSTOMER SPECIAL TAPE.
- ⑦ CONTACT MARKETING BEFORE ORDERING ODD POSITION PART NUMBERS (2X3,2X5,2X7,ETC.).
- ⑧ TIN LEAD PLATED PARTS XXXXX-4XXH WILL NOT HAVE PLATING ON TWO SIDES OF THE PIN TIP TYPICAL BOTH ENDS.
- ⑨ PART NUMBER WITH "LF" SUFFIX AT THE END ARE LEAD FREE.
- ⑩ THIS PRODUCT MEETS EUROPEAN UNION DIRECTIVES AND OTHER COUNTRY REGULATION AS DESCRIBED IN GS-22-008.
11. THE HOUSING WILL WITHSTAND EXPOSURE TO 260°C PEAK TEMPERATURE FOR 20 SECONDS IN A CONVECTION, INFRA-RED OR VAPOR PHASE REFLOW OVEN. SEE APPLICATION NOTES/PROCEDURES IF THEY ARE AVAILABLE
- ⑫ "THIS PRODUCT HAS 100% PURE TIN PLATING IN THE INTERFACE AND HAS NOT BEEN TESTED FOR WHISKER GROWTH IN ALL INTERCONNECT ENVIRONMENTS."



DOUBLE ROW
RECOMMENDED PAD LAYOUT
SCALE: 4/1

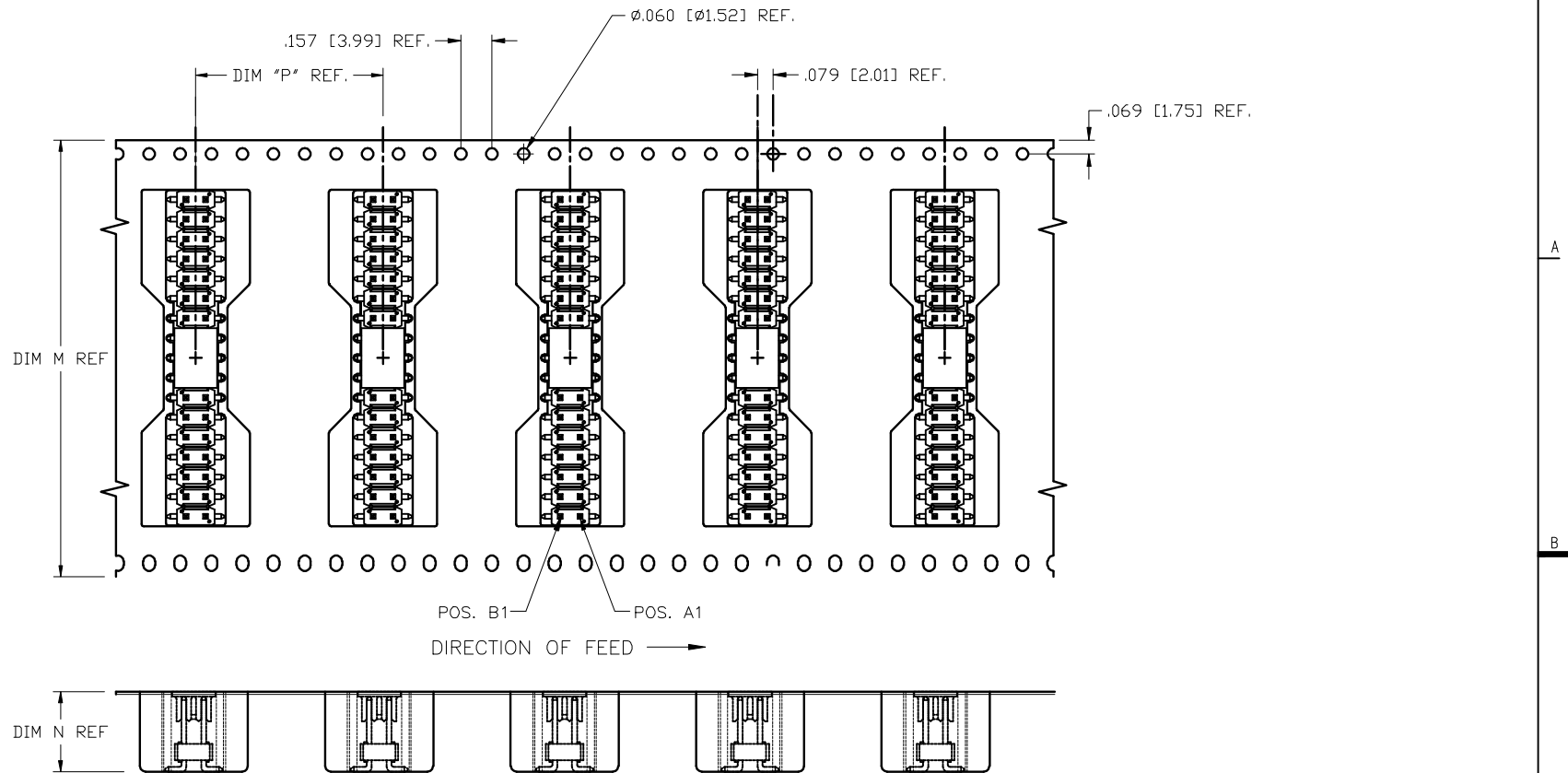


DOUBLE ROW SMT
END VIEW

mat'l. code		surface		tolerance		projection		product family	
-		ISO 1302		ISO 406		ISO 1301		BERGSTIK	
ltr		ecn no		dr		date		title	
F								BERGSTIK® II HDR. D/R	
								.100 DUP. VERT. SMT.	
								dwg no	
								71276	
								sheet 2 of 4	
								size	
								A3	
								type	
								Product Customer Drawing	
sheet		revision							
index		sheet							

Copyright FCJ
FCJconnect.com

PRODUCT NUMBER
SEE TABLE



Copyright FCI

mat'l. code		surface	tolerance	projection	product family
-		ISO 1302	ISO 406		BERGSTIK
			ISO 1101		
ltr	ecn no	dr	date	title	
F				.100 DUP. VERT. SMT.	
		angles	linear	scale	1:1
		0° ± 2'	.XX±.01/.X±.3		
			.XXX±.005/.XX±0.13		
			.XXX±.0020/.XXX±.05		
dr	G. PETERS		3/22/02	dwg no	
engr	H. SUNDY		3/22/02	sheet 3 of 4 size	
chr	H. SUNDY		3/22/02	A3	
appd	H. SUNDY		3/22/02	type	
				Product Customer Drawing	
sheet	revision				
index	sheet				

form A3 1 2 3 4 5 6

PRODUCT NUMBER	MATING LENGTH DIM "H"	CONTACT AREA DIM "D"	DIM "E"	TAPE WIDTH DIM "M"	POCKET DEPTH DIM "N"	PACKAGING
71276-YYYH	.230/5.84	.200/5.08	.150/3.81	2.205/56.00	.433/11.00	POLY BAGS/TAPE ON REEL
71276-408HV	.230/5.84	.200/5.08	.150/3.81	.945/24.00	.433/11.00	TAPE ON REEL
71276-410HV2	.230/5.84	.200/5.08	.150/3.81	.945/24.00	.415/10.54	TAPE ON REEL
71277-YYYH	.318/8.08	.288/7.32	.150/3.81	2.205/56.00	.524/13.28	POLY BAGS/TAPE ON REEL, NOTE 7
71276-YYYHLF	.230/5.84	.200/5.08	.150/3.81	2.205/56.00	.433/11.00	POLY BAGS/TAPE ON REEL
71276-408HVLF	.230/5.84	.200/5.08	.150/3.81	.945/24.00	.433/11.00	TAPE ON REEL
71276-410HV2LF	.230/5.84	.200/5.08	.150/3.81	.945/24.00	.415/10.54	TAPE ON REEL
71277-YYYHLF	.318/8.08	.288/7.32	.150/3.81	2.205/56.00	.524/13.28	POLY BAGS/TAPE ON REEL, NOTE 7



Copyright FCJ

mat'l. code		surface ISO 1302		tolerance ISO 406 ISO 1101		projection		product family BERGSTIK	
ltr	ecn no	dr	date	tolerances unless otherwise specified					
F				angles	linear	.XX±.01/XX±.3		INCH/MM	
				0'±.2'		.XXX±.005/XX±0.13		scale 1:1	
						.XXX±.0020/XXX±.05			
		dr	G. PETERS	3/22/02					
		engr	H. SUNDY	3/22/02					
		chr	H. SUNDY	3/22/02					
		appd	H. SUNDY	3/22/02					
sheet	revision								
index	sheet								



title
BERGSTIK® II HDR. D/R
.100 DUP. VERT. SMT.

dwg no 71276 sheet 4 of 4 size A3

type Product Customer Drawing

form A3 1 2 3 4 5 6

X-ON Electronics

Largest Supplier of Electrical and Electronic Components

Click to view similar products for [Headers & Wire Housings](#) category:

Click to view products by [Amphenol](#) manufacturer:

Other Similar products are found below :

[892-18-020-10-001101](#) [58102-G61-06LF](#) [582553-1](#) [0009485154](#) [009176003701906](#) [0050291907](#) [LY20-4P-DT1-P1E-BR](#) [02.125.8002.8](#)
[609-3404](#) [61062-3](#) [622-0430](#) [622-3653LF](#) [63453-116](#) [636-1030](#) [636-1427](#) [636-3427](#) [636-4007](#) [641938-9](#) [641991-4](#) [644827-2](#) [65817-010LF](#)
[65817-015LF](#) [65863-015LF](#) [66207-023LF](#) [67095-007LF](#) [67601157](#) [68648-049](#) [70.362.1628.0](#) [70-4210](#) [70-4226B](#) [70-4853B](#) [707-5020](#) [707-](#)
[5028](#) [71.350.2428.0](#) [71918-208LF](#) [71961-016LF](#) [733-134](#) [733-162](#) [754199-000](#) [760-3052](#) [787-8014-00](#) [79531-3000](#) [FCN-360C032-B](#) [FCN-](#)
[367T-T012/H](#) [FCN-723D010/2](#) [80.063.4001.1](#) [800-90-001-10-001000](#) [800-90-010-10-002000](#) [801-43-002-10-013000](#) [801-43-006-10-002000](#)