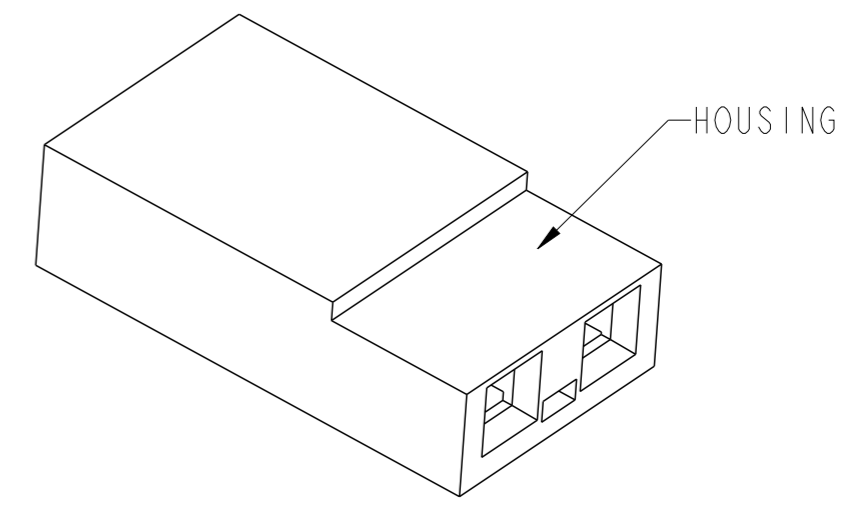
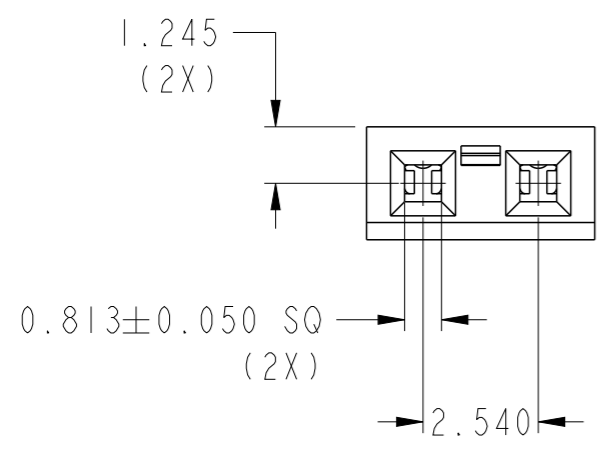
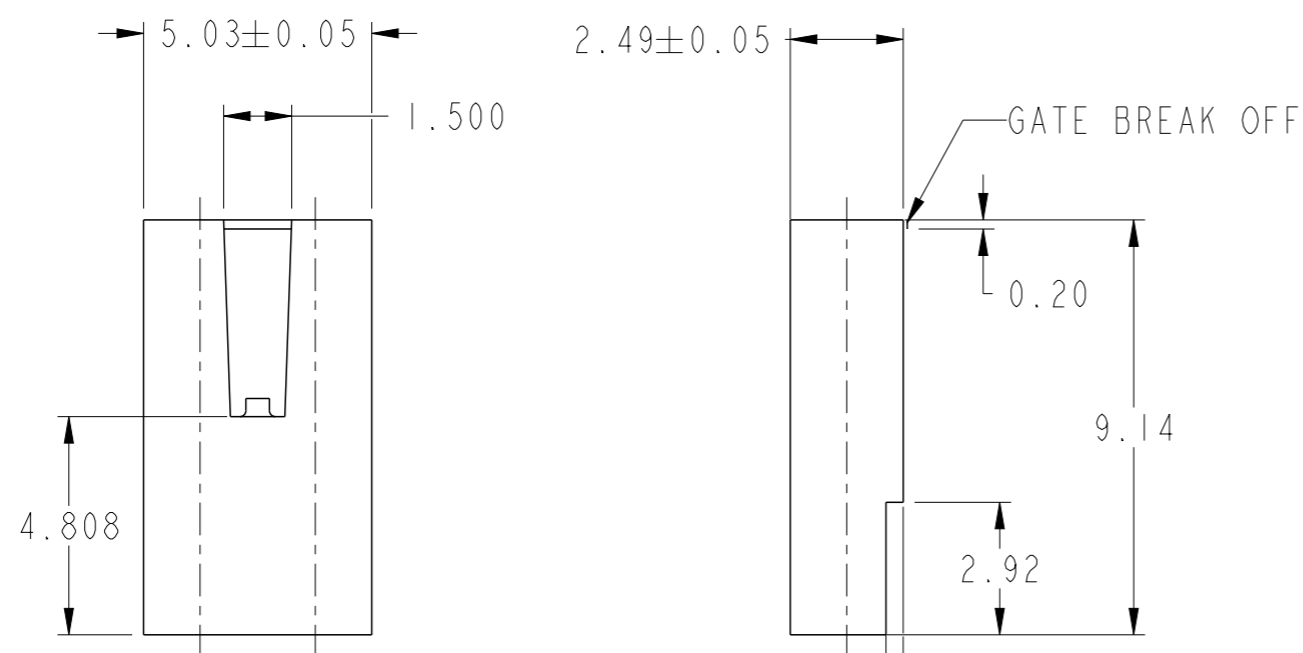


PART NO SEE NOTE 3	PLATING
71363-102 71363-102LF	0.38um/15u" GOLD OR GXT ON CONTACT AREA OVER 1.27um/50u" Ni (SEE NOTE 7)
71363-202 71363-202LF	0.76um/30u" GOLD OR GXT ON CONTACT OVER 1.27um/50u" Ni (SEE NOTE 7)
71363-302 71363-302LF	2.54um/100u" MATTE TIN PLATING



- NOTE:
- MATERIAL
HOUSING : 30% GLASS FILLED POLYESTER
FLAME RETARDANT PER UL 94V-0
COLOR : BLACK
 - TERMINAL : PHOSPHOR BRONZE
PLATING : REFER TO CHART
 - PRODUCT DESCRIPTION CODE:
XXXXX - XXXLF
 - LEAD FREE (SEE NOTE 4 & 6)
 - EXTENSION NUMBER
 - CONTACT AREA PLATING
 - BASE NUMBER
 - 71363-XXXLF IS THE SAME AS 71363-XXX.
SUFFIX 'LF' IS ADDED FOR EASY LEAD FREE IDENTIFICATION.
 - THE HOUSING WILL WITHSTAND EXPOSURE TO 200°C PEAK TEMPERATURE FOR 10 SECONDS IN A CONVECTION, INFRA-RED OR VAPOR PHASE REFLOW OVEN.
 - THIS PRODUCT MEETS EUROPEAN UNION DIRECTIVES AND OTHER COUNTRY REGULATIONS AS DESCRIBED IN GS-22-008.
 - PLATING OPTION:
MAY BE EITHER GOLD OR GXT PLATED AT MANUFACTURER'S OPTION.



spec ref	-	dr	Louis Ng	2010/10/11	projection	MM	size	A3	scale	6:1	
tolerance std	ISO 406 ISO 1101	eng	Guo-Min Sun	2013/05/15			ecn no	ELX-N-14400-1			
TOLERANCES UNLESS OTHERWISE SPECIFIED		chr	-	-			product family	JUMPER	rel level	Released	
surface	ISO 1302	appr	Rick Bian	2013/05/26			dwg no	71363		rev	K
	linear			cat. no.	-		Product - Customer Drw		sheet 1 of 1		
	angular	0°	±2°								

Copyright FCI.

X-ON Electronics

Largest Supplier of Electrical and Electronic Components

Click to view similar products for [Headers & Wire Housings](#) category:

Click to view products by [Amphenol](#) manufacturer:

Other Similar products are found below :

[892-18-020-10-001101](#) [58102-G61-06LF](#) [582553-1](#) [0009485154](#) [009176003701906](#) [0050291907](#) [LY20-4P-DT1-P1E-BR](#) [02.125.8002.8](#)
[609-3404](#) [61062-3](#) [622-0430](#) [622-3653LF](#) [63453-116](#) [636-1030](#) [636-1427](#) [636-3427](#) [636-4007](#) [641938-9](#) [641991-4](#) [644827-2](#) [65817-010LF](#)
[65817-015LF](#) [65863-015LF](#) [66207-023LF](#) [67095-007LF](#) [67601157](#) [68648-049](#) [70.362.1628.0](#) [70-4210](#) [70-4226B](#) [70-4853B](#) [707-5020](#) [707-](#)
[5028](#) [71.350.2428.0](#) [71918-208LF](#) [71961-016LF](#) [733-134](#) [733-162](#) [754199-000](#) [760-3052](#) [787-8014-00](#) [79531-3000](#) [FCN-360C032-B](#) [FCN-](#)
[367T-T012/H](#) [FCN-723D010/2](#) [80.063.4001.1](#) [800-90-001-10-001000](#) [800-90-010-10-002000](#) [801-43-002-10-013000](#) [801-43-006-10-002000](#)