

PRODUCT NUMBER
71607-XXXXLF

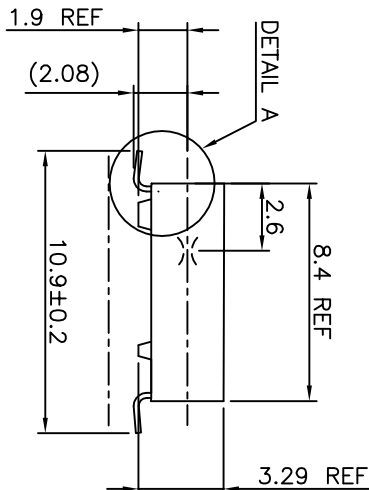
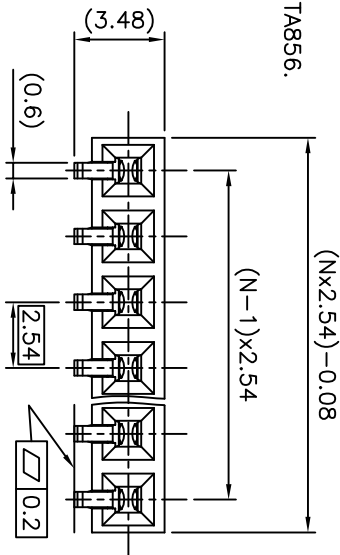
ROHS COMPATIBLE, SEE NOTE 6

OPTIONAL LETTER
A: PRODUCT PACKED IN TAPE & REEL, SEE TAB56.

NUMBER OF POSITIONS: 02 TO 40.

PLATING CODE

- 3 = 0.76µm GOLD ON CONTACT AREA.
- 2µm MIN MATTE TIN ON TAIL.
- 4 = 2µm MIN MATTE TIN FULL PLATED
- 8 = 0.35µm GOLD ON CONTACT AREA.
- 2µm MIN MATTE TIN ON TAIL.
- 1.27µm Ni MIN UNDERPLATING



NOTES:

- 1 - HOUSING MAT'L: THERMOPLASTIC GLASS FILLED FLAME RETARDANT PER UL 94 V-0 COLOR: GREY.
- 2 - TERMINAL MATERIAL: PHOSPHOR BRONZE.
- 3 - 2 UP TO 4 POSITIONS PRODUCT PACKED IN PLASTIC BOX
- 5 UP TO 40 POSITIONS PRODUCT PACKED IN TUBE.
- 4 - TO DETERMINE DIMENSIONS:
N = NUMBER OF POSITIONS
EXAMPLE: 8 POS: (N x 2.54) - 0.08 = 20.24 mm
- 5 - RECOMMENDED IR PROFIL PER TA 842.
- 6 - ROHS COMPATIBLE PRODUCT SPECIFICATIONS

d - PLATING:

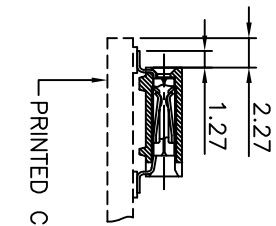
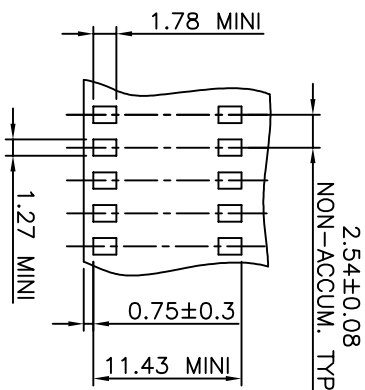
- "LF" MEANS THE PRODUCT IS LEAD-FREE, 2µm MINIMUM MATTE TIN OVER 1.27µm MINIMUM NICKEL UNDERPLATE.

b - MANUFACTURING PROCESS COMPATIBILITY

- THE HOUSING WILL WITHSTAND EXPOSURE TO 260°C PEAK TEMPERATURE FOR 30 SECONDS MAX IN A CONVECTION, INFRA-RED OR VAPOR PHASE OR REFLOW OVEN.

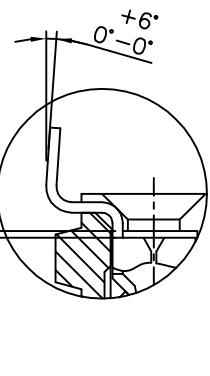
c - LABELING:

- MEETS PACKAGING SPECS AS PER GS-14-920
- d - LEGAL STATEMENT: SEE GS-47-0004



SCALE 2.5:1

RECOMMENDED HOLE PATTERN



DETAIL A
SCALE 20:1

mat'l. code	ISO 1302	tolerance
SEE NOTE 1	ISO 406	ISO 1001
ltr	dr	date
F04-0347	DLE	04.11.08
F06-0204	DLE	06.06.10
V	B-19123	LMU 14.10.20

ISO 1302	tolerance
ISO 406	ISO 1001
ISO 1001	ISO 1001

ISO 1302	tolerance
ISO 406	ISO 1001
ISO 1001	ISO 1001

ISO 1302	tolerance
ISO 406	ISO 1001
ISO 1001	ISO 1001

ISO 1302	tolerance
ISO 406	ISO 1001
ISO 1001	ISO 1001

ISO 1302	tolerance
ISO 406	ISO 1001
ISO 1001	ISO 1001

ISO 1302	tolerance
ISO 406	ISO 1001
ISO 1001	ISO 1001

ISO 1302	tolerance
ISO 406	ISO 1001
ISO 1001	ISO 1001

ISO 1302	tolerance
ISO 406	ISO 1001
ISO 1001	ISO 1001

ISO 1302	tolerance
ISO 406	ISO 1001
ISO 1001	ISO 1001

ISO 1302	tolerance
ISO 406	ISO 1001
ISO 1001	ISO 1001

ISO 1302	tolerance
ISO 406	ISO 1001
ISO 1001	ISO 1001

X-ON Electronics

Largest Supplier of Electrical and Electronic Components

Click to view similar products for [Board to Board & Mezzanine Connectors](#) category:

Click to view products by [Amphenol](#) manufacturer:

Other Similar products are found below :

[589158040000018](#) [MDF7C-18P-2.54DSA\(55\)](#) [FCN-268F036-G/BD](#) [FCN-268M012-G/0D](#) [FCN-268M024-G/1D](#) [FCN-723J004/1](#) [MIS-048-01-F-D-DP-K](#) [832-10-034-10-001000](#) [FX4C-80S-1.27DSA](#) [93696-330](#) [224393](#) [FCN-235D050-G/C](#) [210-93-314-41-105000](#) [2-22603-0](#) [MDF7-40DP-2.54DSA\(55\)](#) [5031084030](#) [MIT-114-03-F-D-K](#) [55323-1519](#) [45970-4130](#) [YFT-20-05-H-03-SB-K](#) [503308-3040](#) [026-6203-PDB](#) [027-6203-PDB](#) [069159702701000](#) [101A10019X](#) [105061100000861+](#) [55650-0588-C](#) [75140-7012](#) [87471-650](#) [YTW-30-07-H-Q-410-140](#) [YTT-112-01-H-Q](#) [063209](#) [FCN-268F024-G0D](#) [10124054-515LF](#) [68685-603](#) [8-1616154-3](#) [MIS-019-01-F-D](#) [YTQ-12103HQ](#) [541371078](#) [IL-WX-10PB-HF-B-E1000E](#) [YFT-50-05-H-10-SB-K](#) [FCN-268M024-G/3D](#) [FCN-214J100-G/0](#) [FCN-230C068-E/S](#) [74220-001](#) [354184](#) [P50-028-DDS-TG](#) [53309-2471](#) [54546-2071](#) [1586617-1](#)