

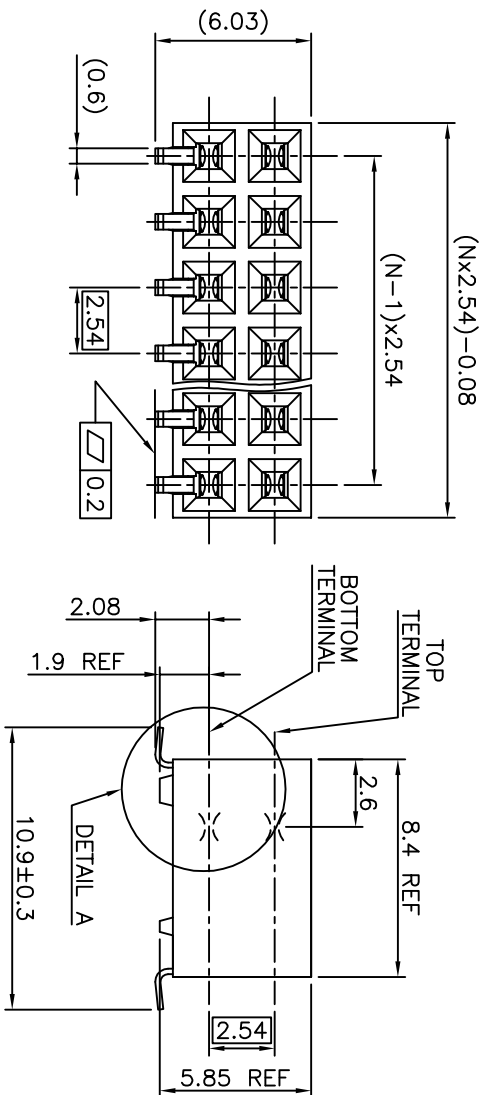
PRODUCT NUMBER  
71609-XXXXLF

ROHS COMPATIBLE, SEE NOTE 6

OPTIONAL LETTER  
A: PRODUCT PACKED IN TAPE & REEL, SEE TA856.  
NUMBER OF POSITIONS PER ROW: 02 TO 40.

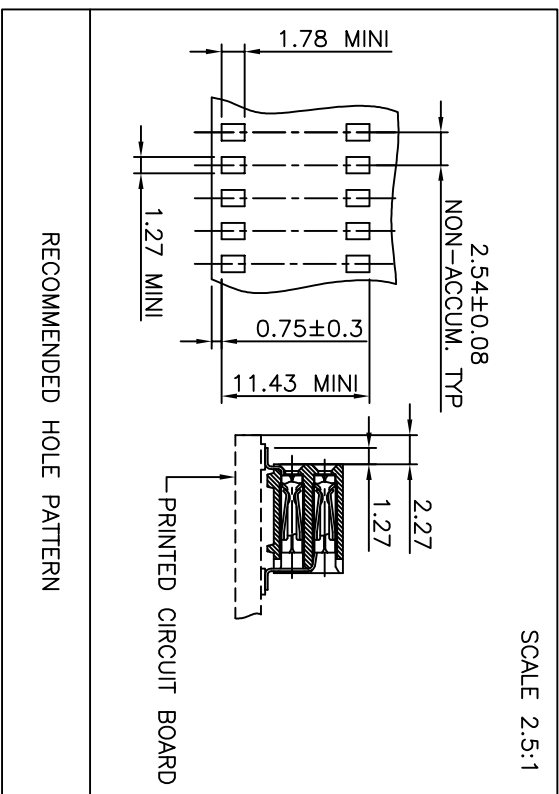
PLATING CODE

- 3 = 0.76µm GOLD ON CONTACT AREA.  
2µm MIN MATTE TIN ON TAIL.
- 4 = 2µm MIN MATTE TIN FULL PLATED
- 8 = 0.38µm GOLD ON CONTACT AREA.  
2µm MIN MATTE TIN ON TAIL.
- 1.27µm Ni MIN UNDERPLATING

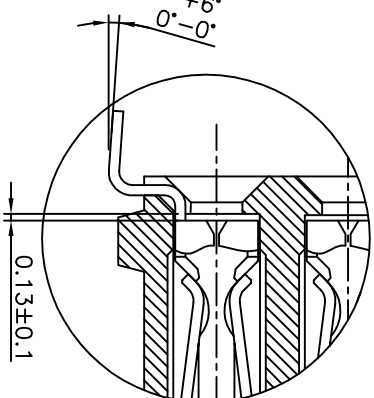


NOTES:

- 1 - HOUSING MAT'L: THERMOPLASTIC GLASS FILLED FLAME RETARDANT PER UL 94 V-0 COLOR: GREY.
- 2 - TERMINAL MATERIAL: PHOSPHOR BRONZE.
- 3 - 2 UP TO 4 POSITIONS PRODUCT PACKED IN PLASTIC BOX.
- 5 UP TO 40 POSITIONS PRODUCT PACKED IN TUBE.
- 4 - TO DETERMINE DIMENSIONS:  
N = NUMBER OF POSITIONS PER ROW  
EXAMPLE: 8 POS: (N x 2.54) - 0.08 = 20.24 mm
- 5 - RECOMMENDED IR PROFIL PER TA 842.
- 6 - ROHS COMPATIBLE PRODUCT SPECIFICATIONS
- d - PLATING:  
- "LF" MEANS THE PRODUCT IS LEAD-FREE, 2µm MINIMUM MATTE TIN OVER 1.27µm MINIMUM NICKEL UNDERPLATE.
- b - MANUFACTURING PROCESS COMPATIBILITY  
- THE HOUSING WILL WITHSTAND EXPOSURE TO 260°C PEAK TEMPERATURE FOR 30 SECONDS MAX IN A CONVECTION, INFRA-RED OR VAPOR PHASE OR REFLOW OVEN.
- c - LABELING:  
- MEETS PACKAGING SPECS AS PER GS-14-920
- d - LEGAL STATEMENT: SEE GS-47-0004



SCALE 2.5:1



DETAIL A  
SCALE 20:1

RECOMMENDED HOLE PATTERN

| mat'l. code                 | surface  | tolerance        | projection | product family                                      |
|-----------------------------|----------|------------------|------------|---|
| SEE NOTE 1                  | ISO 1302 | ISO 406 ISO 1001 | mm         | DUBOX   |
| ltr                         | ecr no   | dr               | date       | ISO 1302  |
| W                           | F04-0347 | DLE              | 04.11.08   | tolerance unless otherwise specified                |
| X                           | F06-0204 | DLE              | 06.06.10   | 40.3  |
| Y                           | B-17361  | JCO              | 14.01.04   | linear  |
| AA                          | B-19123  | LWU              | 14.10.21   | scale 10:1  |
|                             |          | dr               | P.NIZZI    | 94.03.21  |
|                             |          | engr             | P.NIZZI    | 99.06.08  |
|                             |          | chr              | JF NOTTEAU | 97.05.13  |
|                             |          | qppd             | PNZ        | 99.06.08  |
| sheet                       | revision |                  |            |   |
| index                       | sheet    |                  |            |   |
| <p>FCI</p>                  |          |                  |            | <p>title</p> <p>BtB RECEPT.</p> <p>HORIZ DR SMT</p> |
| <p>dwg no</p> <p>71609</p>  |          |                  |            | <p>sheet 1 of 1</p> <p>size</p> <p>A3</p>           |
| <p>type</p> <p>CUSTOMER</p> |          |                  |            | <p>Drawing</p>                                      |

## X-ON Electronics

Largest Supplier of Electrical and Electronic Components

*Click to view similar products for [Board to Board & Mezzanine Connectors](#) category:*

*Click to view products by [Amphenol](#) manufacturer:*

Other Similar products are found below :

[589158040000018](#) [MDF7C-18P-2.54DSA\(55\)](#) [FCN-230C068-11](#) [FCN-268F012-G/BD](#) [FCN-268F036-G/BD](#) [FCN-268M012-G/0D](#) [FCN-268M024-G/1D](#) [FCN-723J004/1](#) [MIS-048-01-F-D-DP-K](#) [832-10-034-10-001000](#) [FX4C-80S-1.27DSA](#) [FCN-214Q030-G/0](#) [FCN-234P048-G/0](#) [FCN-235D050-G/C](#) [210-93-314-41-105000](#) [2-22603-0](#) [MDF7-40DP-2.54DSA\(55\)](#) [AXG720047](#) [5031084030](#) [MIT-114-03-F-D-K](#) [55323-1519](#) [DF33-2P-3.3DSA\(24\)](#) [YFT-20-05-H-03-SB-K](#) [503308-3040](#) [026-6203-PDB](#) [027-6203-PDB](#) [069159702701000](#) [10123981-102LF](#) [101A10019X](#) [55650-0588-C](#) [68682-310LF](#) [68684-306](#) [75140-7012](#) [87471-650](#) [FCN-268F024-G0D](#) [10124054-515LF](#) [68685-603](#) [8-1616154-3](#) [MIS-019-01-F-D](#) [FCN-268M024-G/3D](#) [FCN-268M036-G/BD](#) [20021832-06016C1LF](#) [KX15-20KLDL-E1000E](#) [AXE810124](#) [FCN-214J100-G/0](#) [FCN-230C068-E/S](#) [AXE812124](#) [AXE816124](#) [AXE720127](#) [354184](#)