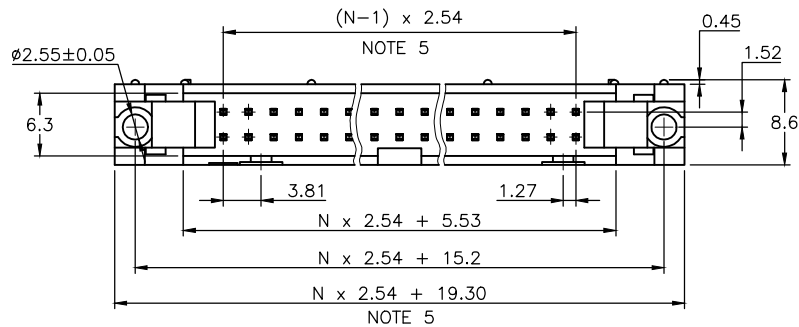


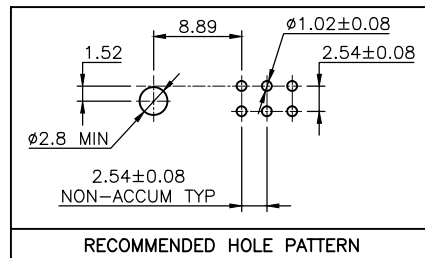
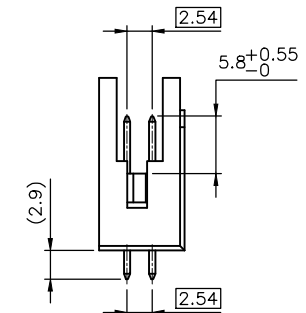
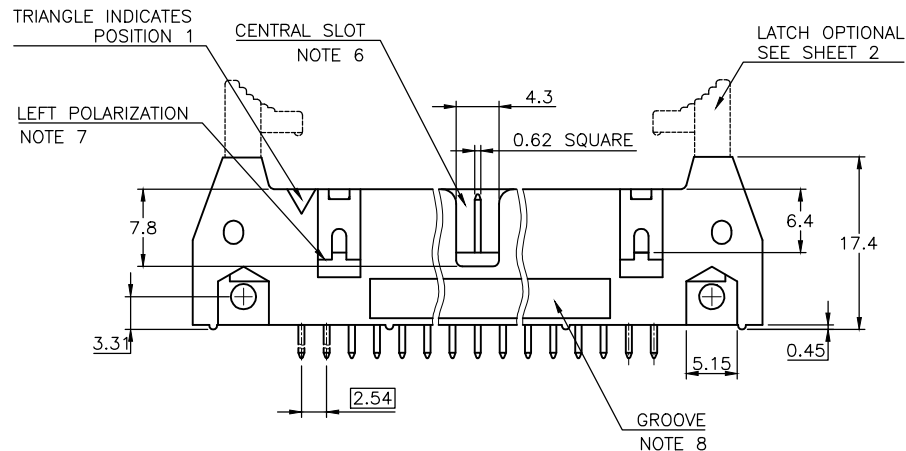
PRODUCT NUMBER
71918-YXXZZLF

- RoHS COMPATIBLE, SEE NOTE 10
- S= SPECIFIC CUSTOMER PLATING OPTION.
- COLOR OPTION, SEE NOTE 1
- TOTAL NB OF POSITIONS, SEE SHEET 2
- LATCHING
- 0= WITHOUT LATCH
- 1= STANDARD LATCH
- 2= LOW PROFILE LATCH



NOTES:

- 1 - HOUSING MATERIAL: GLASS FILLED THERMOPLASTIC UL94V-0
= STANDARD COLOR GREY
B = OPTION COLOR BLACK
- 2 - PIN MATERIAL : PHOSPHOR BRONZE
- 3 - PRODUCT PACKAGED IN TUBES
- 4 - 40N MIN LATCH RETENTION FORCE AT FIRST EXTRACTION
- 5 - TO DETERMINE DIMENSIONS :
N = NUMBER OF POSITIONS PER ROW
EXAMPLE : 8 POS $N \times 2.54 = 20.32\text{mm}$
- 6 - NO CENTRAL SLOT ON POSITIONS 6 & 8
- 7 - NO LEFT POLARIZATION ON POSITIONS 06, 08, 10, 14.
- 8 - NO GROOVE ON POSITIONS 06, 08, 10, 14, 30, 34
- 9 - 4.5mm SOLDER TAIL
ORDER 71918-4XX (WITH STANDARD LATCH ONLY)
- 10 - RoHS COMPATIBLE PRODUCT SPECIFICATIONS
 - a - PLATING:
 - "LF" MEANS THE PRODUCT IS LEAD-FREE, 2µm MINIMUM MATTE TIN OVER 1.27µm MINIMUM NICKEL UNDERPLATE.
 - b - MANUFACTURING PROCESS COMPATIBILITY
 - THE HOUSING WILL WITHSTAND EXPOSURE TO 260°C ±5°C SOLDER BATH TEMPERATURE FOR 5 SECONDS IN A WAVE SOLDER APPLICATION WITH A 1.6mm MIN THICK CIRCUIT BOARD.
 - c - LABELING:
 - MEETS PACKAGING SPECS AS PER GS-14-920
 - d - LEGAL STATEMENT: SEE GS-47-0004.



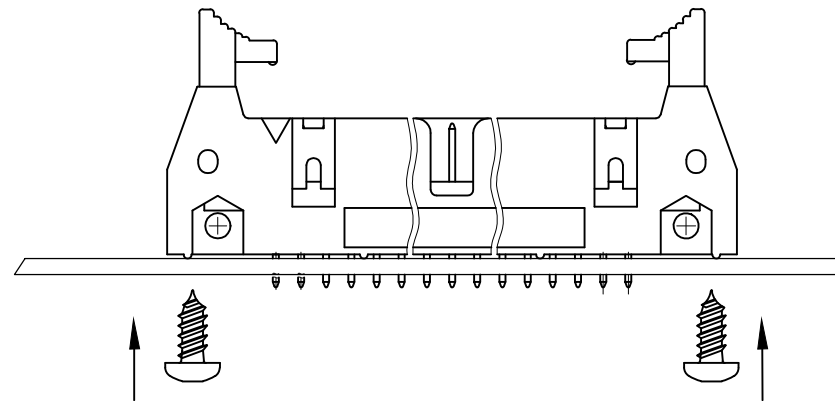
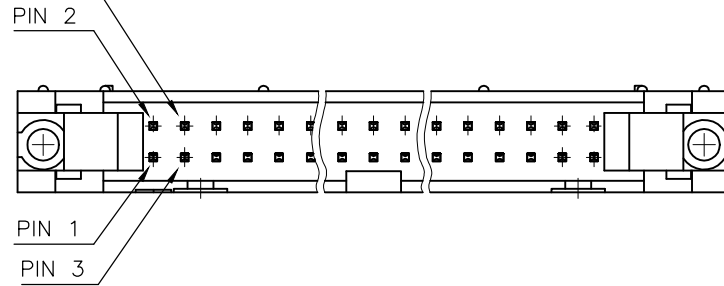
mat'l. code SEE NOTES		surface ISO 1302	tolerance ISO 406 ISO 1101	projection mm	product family QUICKIE
ltr	ecn no dr date	tolerances unless otherwise specified		mm	title SHR.EL.HEADER STR DR TMT
Y	F12-0838 LMU 12.12.06	angles	.X ±0.3		
AA	B-16776 LMU 14.01.23	linear	.XX ±0.13	scale 2:1	sheet 1 of 2 size 71918 A3
AB	B-17853 LMU 14.06.05		.XXX ±0.05		
AC	B-19091 LMU 14.10.16	dr	D.LE 01.01.24	FCI	type CUSTOMER Drawing
AD	B-20412 BVE 15.03.10	enrg	JM.C 01.01.24		
X	F12-0011 LMU 12.02.06	chr	JF.N 01.01.24		
		appd	JM.C 01.01.24		
sheet index	revision sheet	AD X			
	1 2				

PRODUCT NUMBER	SIZE	LATCHING AVAILABILITY	MISSING PIN POSITIONS
71918-X06(B)LF	2x3	0/1/2	
71918-X08(B)LF	2x4	0/1/2	
71918-X10(B)LF	2x5	0/1/2	
71918-X14(B)LF	2x7	0/1/2	
71918-X16(B)LF	2x8	0/1/2	
71918-X18(B)LF	2x9	0/1/2	
71918-X20(B)LF	2x10	0/1/2	
71918-X26(B)LF	2x13	0/1/2	
71918-X27(B)LF	2x13	0/1/2	PIN 21 & 22
71918-X28(B)LF	2x13	0/1/2	PIN 5 to 12
71918-X30(B)LF	2x15	0/1/2	
71918-X34(B)LF	2x17	0/1/2	
71918-X35(B)LF	2x17	0/1/2	PIN 2 & 3
71918-X40(B)LF	2x20	0/1/2	
71918-X44(B)LF	2x22	0/1/2	
71918-X50(B)LF	2x25	0/1/2	
71918-X51(B)LF	2x25	0/1/2	PIN 39 to 46
71918-X60(B)LF	2x30	0/1/2	
71918-X64(B)LF	2x32	0/1/2	

PLATING :

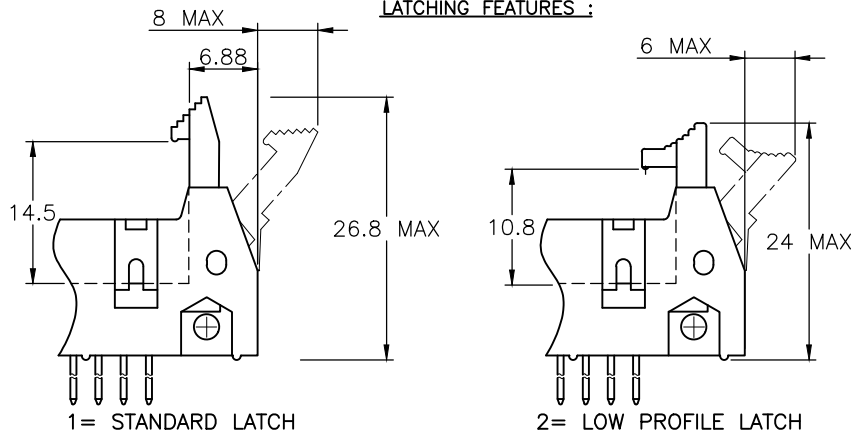
- 0.76µm GOLD/GXT (PdNi WITH GOLD FLASH) ON CONTACT AREA
- 2µm MIN MATTE TIN ON TAIL
- UNDERPLATE : 1.27µm Ni MIN

PIN POSITION INDICATION FOR POLARIZED VERSIONS



WHEN THE CONNECTORS NEED TO BE FIXED ON THE PCB'S THE STAINLESS SCREWS REF TC POZI DIN7981 Ø2.9 X 6.5MM TO BE USED

LATCHING FEATURES :



mat'l. code		surface		tolerance		projection		product family	
		ISO 1302 ✓		ISO 406 ISO 1101		mm		QUICKIE	
ltr		ecn no dr		date		tolerances unless otherwise specified		title	
R		F07-0195		LMU		07.05.25		SHR.EL.HEADER	
S		F08-0146		YOV		08.04.11		STR DR TMT	
T		F12-001		LMU		12.02.06		scale 2:1	
U		F12-0838		LMU		12.12.06		dwg no	
V		B-16776		LMU		14.01.23		sheet 2 of - size	
W		B-19091		LMU		14.10.16		71918 A3	
X		B-20412		BVE		15.03.10		type CUSTOMER Drawing	
sheet index		revision sheet							



Copyright FCI

X-ON Electronics

Largest Supplier of Electrical and Electronic Components

Click to view similar products for [Headers & Wire Housings](#) category:

Click to view products by [Amphenol](#) manufacturer:

Other Similar products are found below :

[892-18-020-10-001101](#) [58102-G61-06LF](#) [582553-1](#) [0009485154](#) [009176003701906](#) [0050291907](#) [LY20-4P-DT1-P1E-BR](#) [02.125.8002.8](#)
[609-3404](#) [61062-3](#) [622-0430](#) [622-3653LF](#) [63453-116](#) [636-1030](#) [636-1427](#) [636-3427](#) [636-4007](#) [641938-9](#) [641991-4](#) [644827-2](#) [65817-010LF](#)
[65817-015LF](#) [65863-015LF](#) [66207-023LF](#) [67095-007LF](#) [67601157](#) [68648-049](#) [70.362.1628.0](#) [70-4210](#) [70-4226B](#) [70-4853B](#) [707-5020](#) [707-](#)
[5028](#) [71.350.2428.0](#) [71918-208LF](#) [71961-016LF](#) [733-134](#) [733-162](#) [754199-000](#) [760-3052](#) [787-8014-00](#) [79531-3000](#) [FCN-360C032-B](#) [FCN-](#)
[367T-T012/H](#) [FCN-723D010/2](#) [80.063.4001.1](#) [800-90-001-10-001000](#) [800-90-010-10-002000](#) [801-43-002-10-013000](#) [801-43-006-10-002000](#)