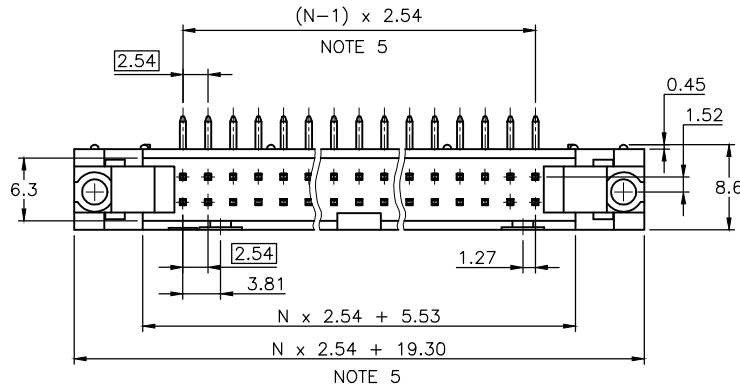


PRODUCT NUMBER

71922-YXXZLF

- RoHS COMPATIBLE, SEE NOTE 10
- = STANDARD HOUSING COLOR GREY (WITHOUT OPTIONAL LETTER)
- B= OPTIONAL HOUSING COLOR BLACK
- S= SPECIFIC CUSTOMER PLATING OPTION HOUSING COLOR GREY
- TOTAL NB OF POSITIONS, SEE SHEET 2
- LATCHING
 - 0= WITHOUT LATCH
 - 1= STANDARD LATCH
 - 2= LOW PROFILE LATCH



NOTES:

- 1 - HOUSING MAT'L : GLASS FILLED THERMOPLASTIC. UL94V-0
- 2 - PIN MATERIAL : PHOSPHOR BRONZE
- 3 - PRODUCT PACKAGED IN TUBES
- 4 - 40N MIN LATCH RETENTION FORCE AT FIRST EXTRACTION
- 5 - TO DETERMINE DIMENSIONS :
N = NUMBER OF POSITIONS PER ROW
EXAMPLE : 8 POS N x 2.54 = 20.32mm
- 6 - NO CENTRAL SLOT ON POSITIONS 6 & 8
- 7 - NO LEFT POLARIZATION ON POSITIONS 06, 08, 10, 14.
- 8 - NO GROOVE ON POSITIONS 06, 08, 10, 14, 30, 34
- 9 - 4.5mm SOLDER TAIL
ORDER 71922-4XX (WITH STANDARD LATCH ONLY)
ORDER 71922-5XX (WITH LOW PROFILE LATCH ONLY)
- 10 - RoHS COMPATIBLE PRODUCT SPECIFICATIONS

a - PLATING:

- "LF" MEANS THE PRODUCT IS LEAD-FREE, 2µm MINIMUM MATTE TIN OVER 1.27µm MINIMUM NICKEL UNDERPLATE.

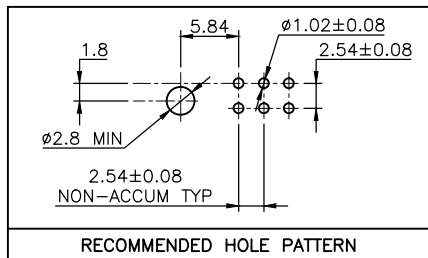
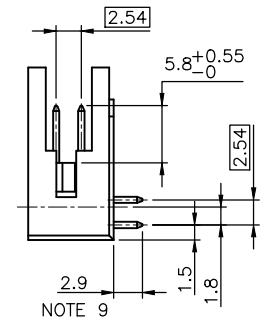
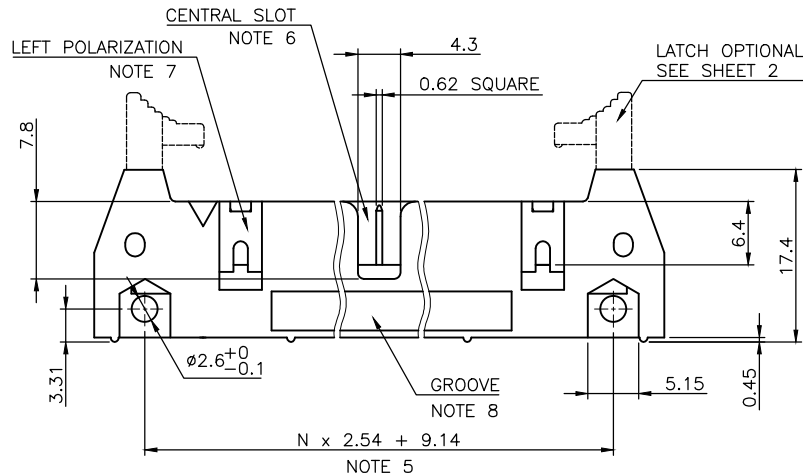
b - MANUFACTURING PROCESS COMPATIBILITY

- THE HOUSING WILL WITHSTAND EXPOSURE TO 260°C ±5°C SOLDER BATH TEMPERATURE FOR 5 SECONDS IN A WAVE SOLDER APPLICATION WITH A 1.6mm MIN THICK CIRCUIT BOARD.

c - LABELING:

- MEETS PACKAGING SPECS AS PER GS-14-920

d - LEGAL STATEMENT: SEE GS-47-0004.

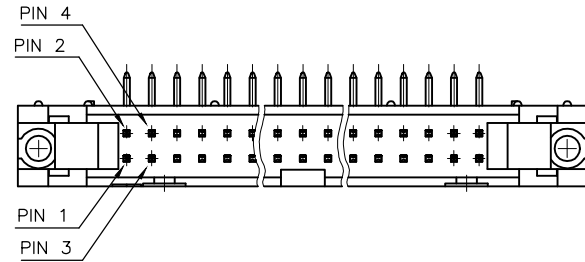


mat'l. code		surface		tolerance		projection		product family	
SEE NOTES		ISO 1302 ✓		ISO 406 ISO 1101		mm		QUICKIE	
ltr	ecn no dr date	tolerances unless otherwise specified		.XX ±0.3		mm		title	
V	F10-0054 LMU 10.05.19	angles		.XX ±0.13		scale 2:1		SHR.EL.HEADER	
W	B-16776 LMU 14.01.23	linear		.XXX ±0.05		FCI		RA DR TMT	
X	B-18018 JCO 14.06.19	dr	D.LE	01.01.24	sheet 1 of 2		size		
Y	B-18236 LMU 14.07.08	engr	JM.C	01.01.24	71922		A3		
AA	B-19092 LMU 14.10.16	chr	JF.N	01.01.24	type		CUSTOMER Drawing		
AB	B-20349 BVE 15.03.02	appd	JM.C	01.01.24					
sheet index	revision sheet	AB	T						
	1	2							

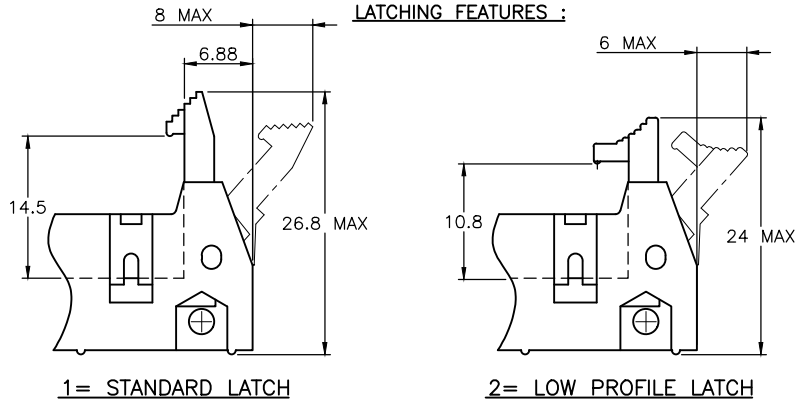
PRODUCT NUMBER	SIZE	LATCHING AVAILABILITY	MISSING PIN POSITIONS
71922-X06(B)LF	2x3	0/1/2	
71922-X08(B)LF	2x4	0/1/2	
71922-X10(B)LF	2x5	0/1/2	
71922-X14(B)LF	2x7	0/1/2	
71922-X16(B)LF	2x8	0/1/2	
71922-X18(B)LF	2x9	0/1/2	
71922-X20(B)LF	2x10	0/1/2	
71922-X26(B)LF	2x13	0/1/2	
71922-X28(B)LF	2x13	0/1/2	PIN 5 TO 12
71922-X30(B)LF	2x15	0/1/2	
71922-X34(B)LF	2x17	0/1/2	
71922-X35(B)LF	2x17	0/1/2	PIN 2 & 3
71922-X39(B)LF	2x20	0/1/2	PIN 20
71922-X40(B)LF	2x20	0/1/2	
71922-X44(B)LF	2x22	0/1/2	
71922-X50(B)LF	2x25	0/1/2	
71922-X60(B)LF	2x30	0/1/2	
71922-X64(B)LF	2x32	0/1/2	

PLATING :

- 0.76µm GOLD/GXT (PdNi WITH GOLD FLASH) ON CONTACT AREA
- 2µm MIN MATTE TIN ON TAIL
- UNDERPLATE : 1.27µm Ni MIN



LATCHING FEATURES :



mat'l. code		surface		tolerance		projection		product family	
		ISO 1302		ISO 406		ISO 1101		QUICKIE	
ltr		ecn no		dr		date		title	
M		F06-0229		LMU		06.07.17		SHR.EL.HEADER	
N		F07-0195		LMU		07.05.25		RA DR TMT	
P		F08-0146		YOV		08.04.11		scale 2:1	
R		B-16776		LMU		14.01.23		dr	
S		B-19092		LMU		14.10.16		engr	
T		B-20349		BVE		15.03.02		chr	
								appd	
sheet		revision						type	
index		sheet						CUSTOMER Drawing	

X-ON Electronics

Largest Supplier of Electrical and Electronic Components

Click to view similar products for [Headers & Wire Housings](#) category:

Click to view products by [Amphenol](#) manufacturer:

Other Similar products are found below :

[892-18-020-10-001101](#) [58102-G61-06LF](#) [582553-1](#) [0009485154](#) [009176003701906](#) [0050291907](#) [LY20-4P-DT1-P1E-BR](#) [02.125.8002.8](#)
[609-3404](#) [61062-3](#) [622-0430](#) [622-3653LF](#) [63453-116](#) [636-1030](#) [636-1427](#) [636-3427](#) [636-4007](#) [641938-9](#) [641991-4](#) [644827-2](#) [65817-010LF](#)
[65817-015LF](#) [65863-015LF](#) [66207-023LF](#) [67095-007LF](#) [67601157](#) [68648-049](#) [70.362.1628.0](#) [70-4210](#) [70-4226B](#) [70-4853B](#) [707-5020](#) [707-5028](#) [71.350.2428.0](#) [71918-208LF](#) [71961-016LF](#) [733-134](#) [733-162](#) [754199-000](#) [760-3052](#) [787-8014-00](#) [79531-3000](#) [FCN-360C032-B](#) [FCN-367T-T012/H](#) [FCN-723D010/2](#) [80.063.4001.1](#) [800-90-001-10-001000](#) [800-90-010-10-002000](#) [801-43-002-10-013000](#) [801-43-006-10-002000](#)